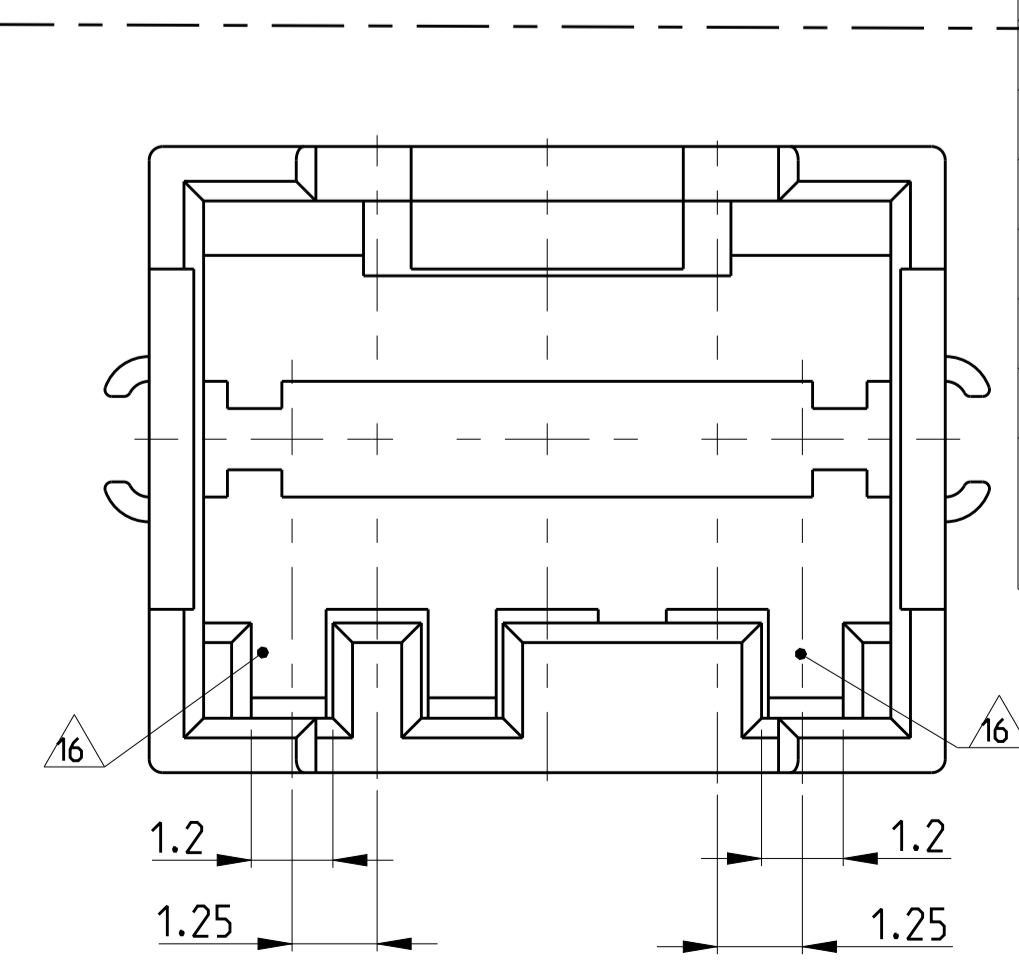


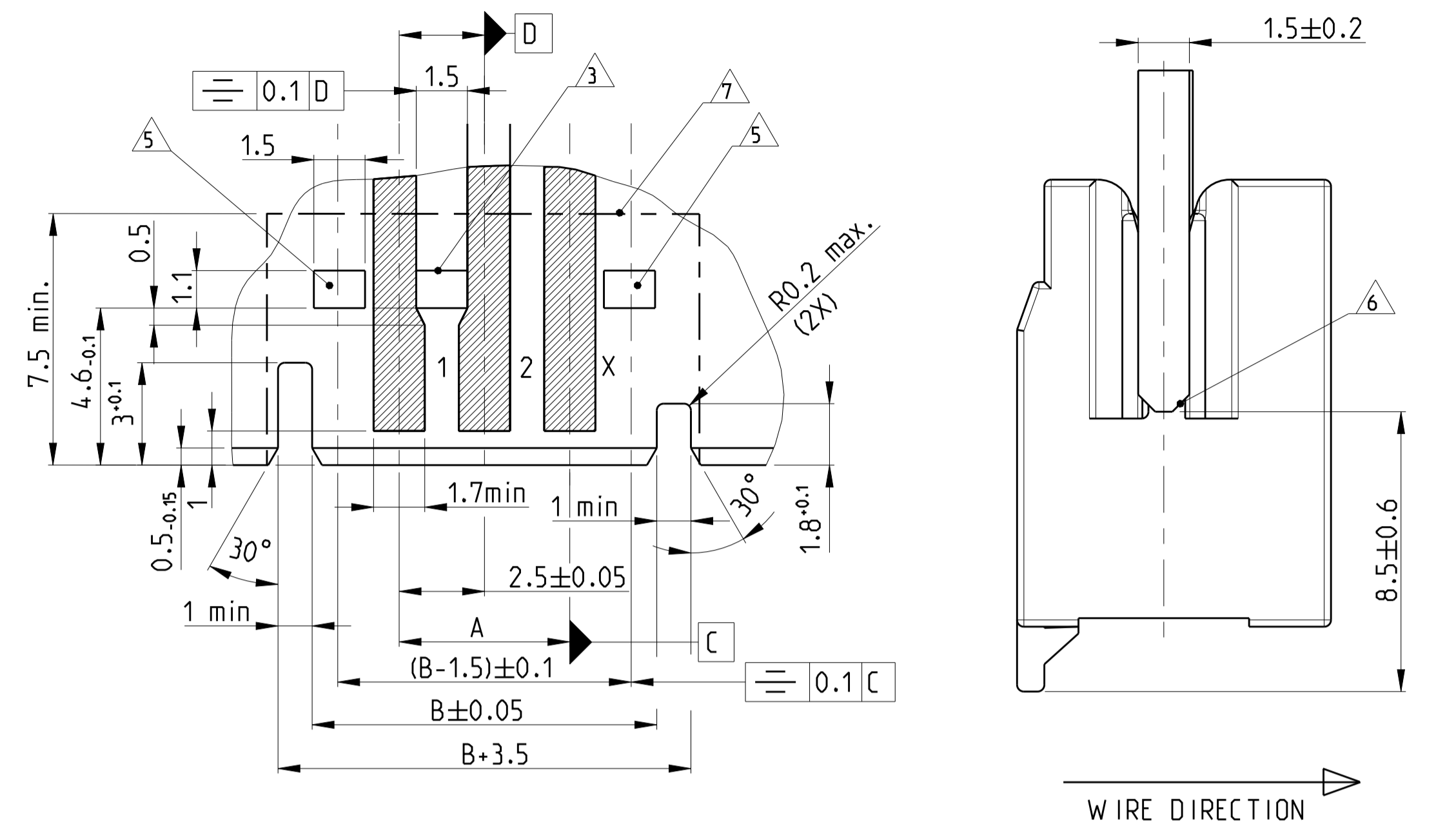
SECTION A-A

- 1 KODIERUNG ZW ISCHEN KAMMER 1 UND 2 DARGESTELLT (AUF ANFRAGE)  
KEYING SHOWN BETWEEN CAVITY 1 AND 2 (ON REQUEST)
- 2 RASTHAKEN BEI ERSTER UND LETZTER KAMMER IMMER VORHANDEN  
LOCKING CLIP ALWAYS ON FIRST AND LAST CAVITY
- 3 ZUSATZLICHE RASTHAKEN ZW ISCHEN KAMMER-NR.SIEHE BLATT 2 VON 2  
ADDITIONAL LOCKING CLIP BETWEEN CAVITY NO SEE SHEET 2 OF 2
- 4 KAMMERNUMMER  
CAVITY NO
- 5 RASTFENSTER IMMER VORHANDEN  
LOCKING WINDOW ALWAYS PRESENT
- 6 LEITERPLATTE VORZUGSWEISE ANGEFAST  
PCB CHAMFERED PREFERABLE
- 7 PLATZBEDARF FOR RAHMEN  
AREA FOR FRAME
- 8 PR ÜF ÖFFNUNGEN  
INSPECTION HOLES
- 9 KLEMMFEDERN NIGHT VOL AUSGESDPRITZTE KONTUR ZUL ßSSIG  
CLIPS.SHAPE NOT FULLY MOLDED PERMISSIBLE

- 10 Passende Gegenstecker siehe PN 829 868/966 194  
MATING PARTS SEE PN 829 868/966 194
- 12 WITH STROKE LINE DRAWN VERSIONS NOT YET AVAILABLE
- 13 14 15 SIEHE BLATT 2 VON 2  
SEE SHEET 2 OF 2
- 16 Aubennuten eingeengt.  
Varianten siehe Blatt 2)  
GROOVES ON OUTSIDE NARROWED.VERSIONS SEE SHEET 2
- 17 GLOW WIRE TEST 750°C ACC.DIN EN 60695-2-11  
WITHOUT FLAME
- 18 OBSOLETE
- 19 PRELIMINARY PART, NOT FOR PRODUCTION



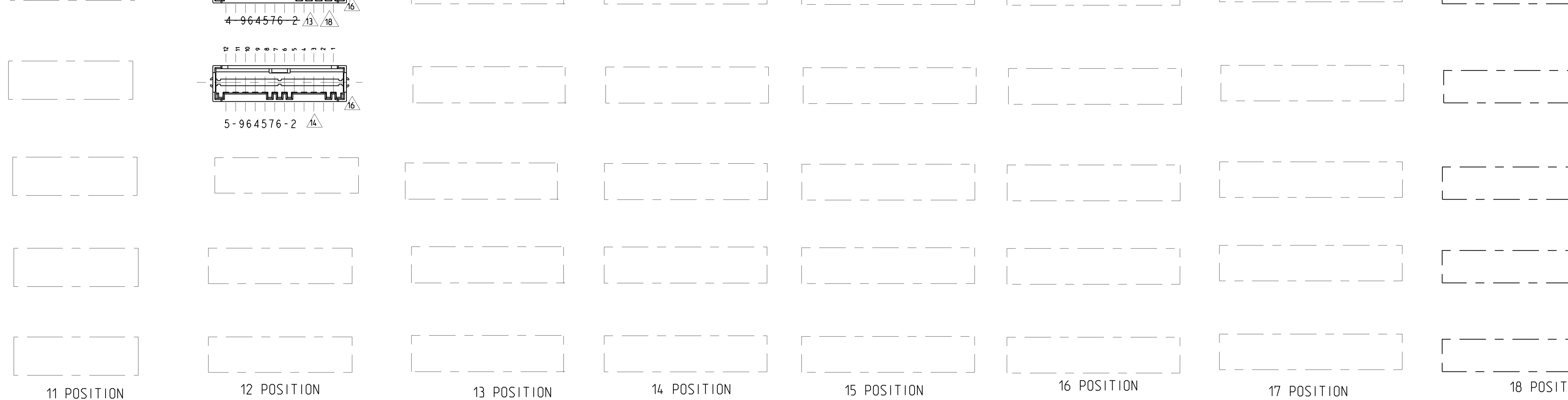
LOC		DIST		REVISIONS			
A	I	P	LTR	DESCRIPTION	DATE	DWN	APVD
C	17			REVISED PER ECR-19-001078	1FEB2019	RS	LZ
C	18			ECR-19-011325	18JUL2019	LZ	FL
C	19			ECR-20-000612	17JAN2020	SM	FL



TOLERANCE NOT SPECIFIED ±0.1

POS	DIM C	DIM B	DIM A	KEYING VERSIONS SEE SHEET 2 OF 2				REV	HOUSING PART NO		
20	49.5	52.6	47.5	-	-	-	-	1-	964576-0		
19	47	50.1	45.0	-	-	-	-	1- 18	964576-9		
18	44.5	47.6	42.5	-	-	-	-	1-	964576-8		
17	42	45.1	40.0	-	-	-	2-	1-	964576-7		
16	39.5	42.6	37.5	-	-	-	1-	1-	964576-6		
15	37	40.1	35.0	-	-	2- 18	1-	1-	964576-5		
14	34.5	37.6	32.5	-	-	-	1-	1-	964576-4		
13	32	35.1	30.0	-	-	-	1- 18	1-	964576-3		
12	29.5	32.6	27.5	-	6- 18	5-	4- 18	3- 2- 1- 18	964576-2		
11	27	30.1	25.0	-	-	-	-	2- 1-	964576-1		
10	24.5	27.6	22.5	-	-	3- 18	2-	1- 18	964575-0		
9	22	25.1	20.0	-	-	-	2-	1-	964575-9		
9	22	25.1	20.0	-	9-	-	-	A	964575-9 17		
8	19.5	22.6	17.5	-	9-	-	-	A	964575-8 17		
8	19.5	22.6	17.5	-	-	-	2-	1-	C 964575-8		
7	17	20.1	15.0	-	9-	8- 19	-	A	964575-7 17		
7	17	20.1	15.0	-	-	-	4- 18	3-	2- 1-	C 964575-7	
6	14.5	17.6	12.5	-	-	-	3-	2-	1-	C 964575-6	
5	12	15.1	10.0	-	9-	8-	7-	A	964575-5 17		
5	12	15.1	10.0	-	-	-	4-	3- 18	2-	1-	C 964575-5
4	9.5	12.6	7.5	-	9-	19	-	C	964575-4 17		
4	9.5	12.6	7.5	-	-	-	4- 18	3-	2-	1-	C 964575-4
3	7	10.1	5.0	-	9-	-	-	2- 18	1-	C 964575-3	
3	7	10.1	5.0	-	-	-	4-	C	964575-3 17		
3	7	10.1	5.0	-	8-	7-	-	3-	A	964575-3 17	

DIMENSIONS: mm  
 TOLERANCES UNLESS OTHERWISE SPECIFIED:  
 0 PLC ±0.2  
 1 PLC ±0.2  
 2 PLC ±0.2  
 3 PLC ±0.2  
 4 PLC ±0.2  
 ANGLES ±0.1°  
 MATERIAL PA 6.6 25%GF UL94 V-0  
 FINISH -  
 DWN ATZMANN 06JULY2019  
 CHK BORMUTH 06JULY2019  
 NAME AMP DUOPLUG 2.5 SYSTEM PCB RAHMEN  
 AMP DUOPLUG 2.5 SYSTEM PCB FRAME (3-20 Posn)  
 SIZE CAGE CODE DRAWING NO RESTRICTED TO  
 WEIGHT -  
 CUSTOMER DRAWING SCALE 10:1 SHEET 1 OF 2 REP 19



11 POSITION

12 POSITION

13 POSITION

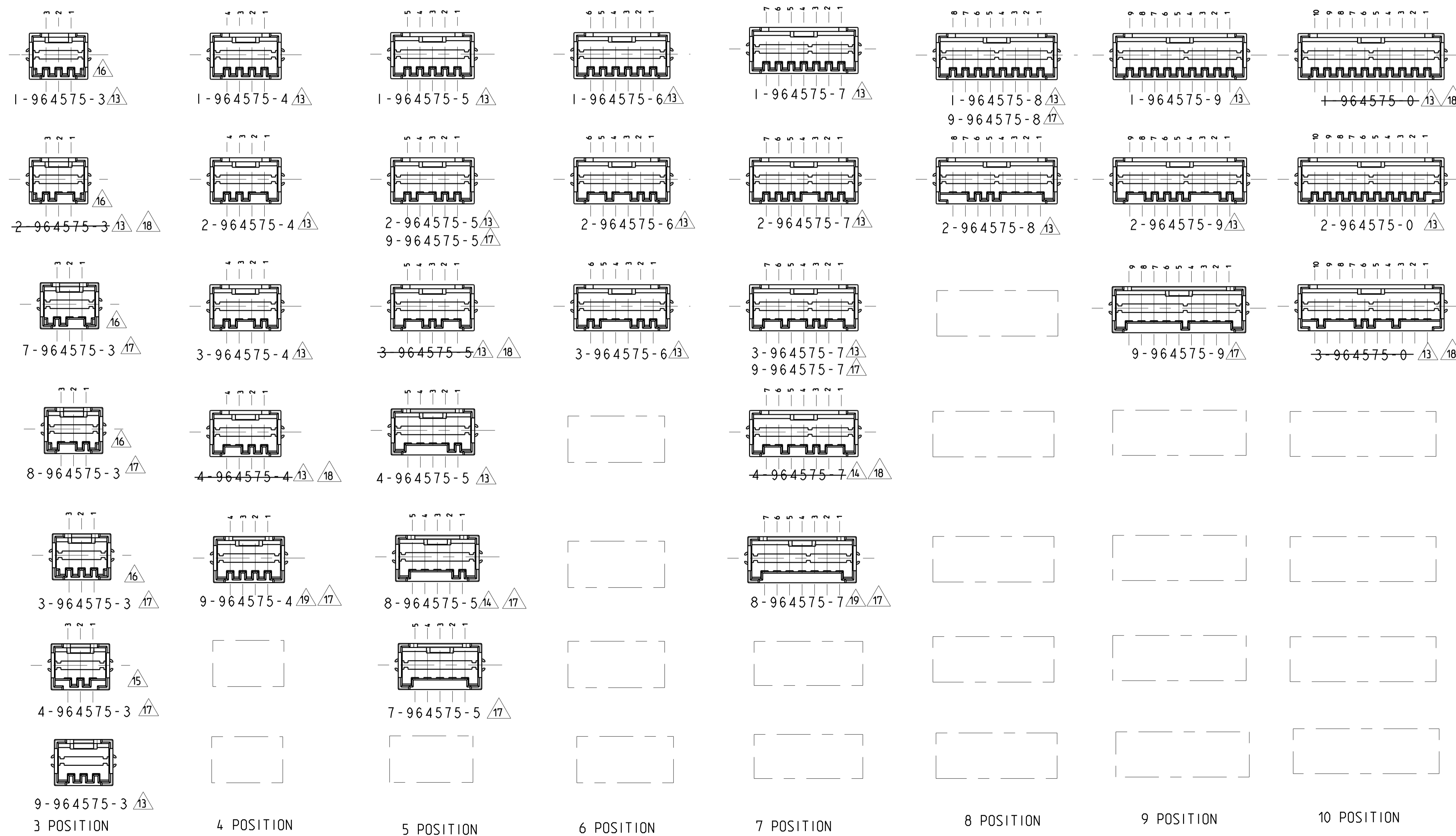
14 POSITION

15 POSITION

16 POSITION

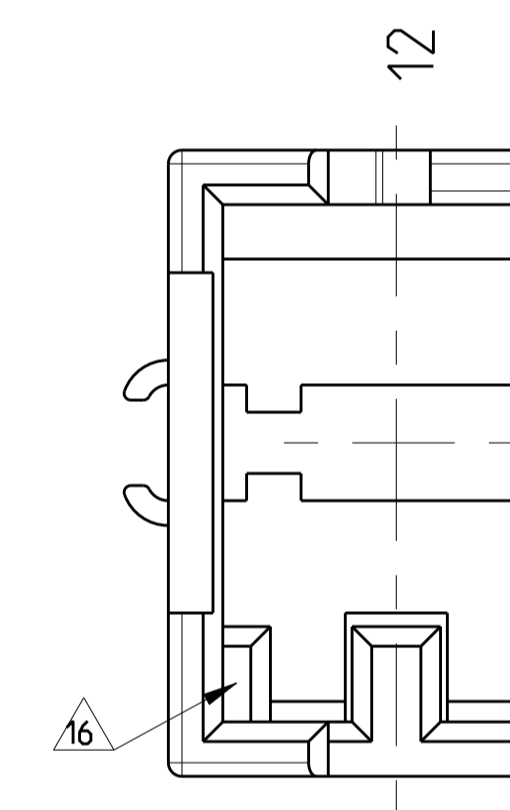
17 POSITION

18 POSITION






EXAMPLE:

CAVITY NO.



KEYING BETWEEN CAVITY 10 AND 11

-  COLOR: BLACK
-  COLOR: NATURAL (REDBROWN)
-  NATURAL (BEIGE)

## X-ON Electronics

Largest Supplier of Electrical and Electronic Components

*Click to view similar products for [TE Connectivity](#) manufacturer:*

Other Similar products are found below :

[D38999/24FJ4AN](#) [570416-000](#) [CLTEQ-M81CE-SSRELAY-4-20V](#) [4-1195131-0](#) [650069-000](#) [SMD100-2](#) [358838-000](#) [CB-1022B-78](#)  
[RM707012](#) [RP410012](#) [MMS42](#) [1-640426-8](#) [2EDL4CM](#) [DTS20W19-11PD-3028-LC](#) [RM202615](#) [NC6-P104-06](#) [MSPS103B](#) [DTS26F21-](#)  
[41HE-LC](#) [DTS26F21-41AE](#) [DTS26F21-41PE-LC](#) [DTS26F21-11SE-3028-LC](#) [30DCB6](#) [1932144-1](#) [293545-4](#) [LVR125S](#) [MS27466T25F4PB](#)  
[CKB-38-78010](#) [TR04AI-TINELLOCKRING](#) [1206SFF150F/63-2](#) [D38999/20JB35HA](#) [TE1500A2R2J](#) [D38999/20WC8BB](#) [DTS24F19-11SC-](#)  
[3028-LC](#) [D38999/24WG11HA](#) [D38999/24WG11HN](#) [MS27467T21F11H](#) [DJT16E21-11HA](#) [MS27467T21F35J](#) [MS27467T21F11J](#)  
[MS27467T21F16H-LC](#) [MS27467T21F35H](#) [MS27467T21F41H-LC](#) [1206SFH150F/24-2](#) [RP330024](#) [DJT16E21-11PA-LC](#) [DJT16E21-11HA-](#)  
[LC](#) [DJT16E21-11AA](#) [MS27467T21B11JA](#) [DJT16E21-11JA](#) [MS27467T21B11JA-LC](#)