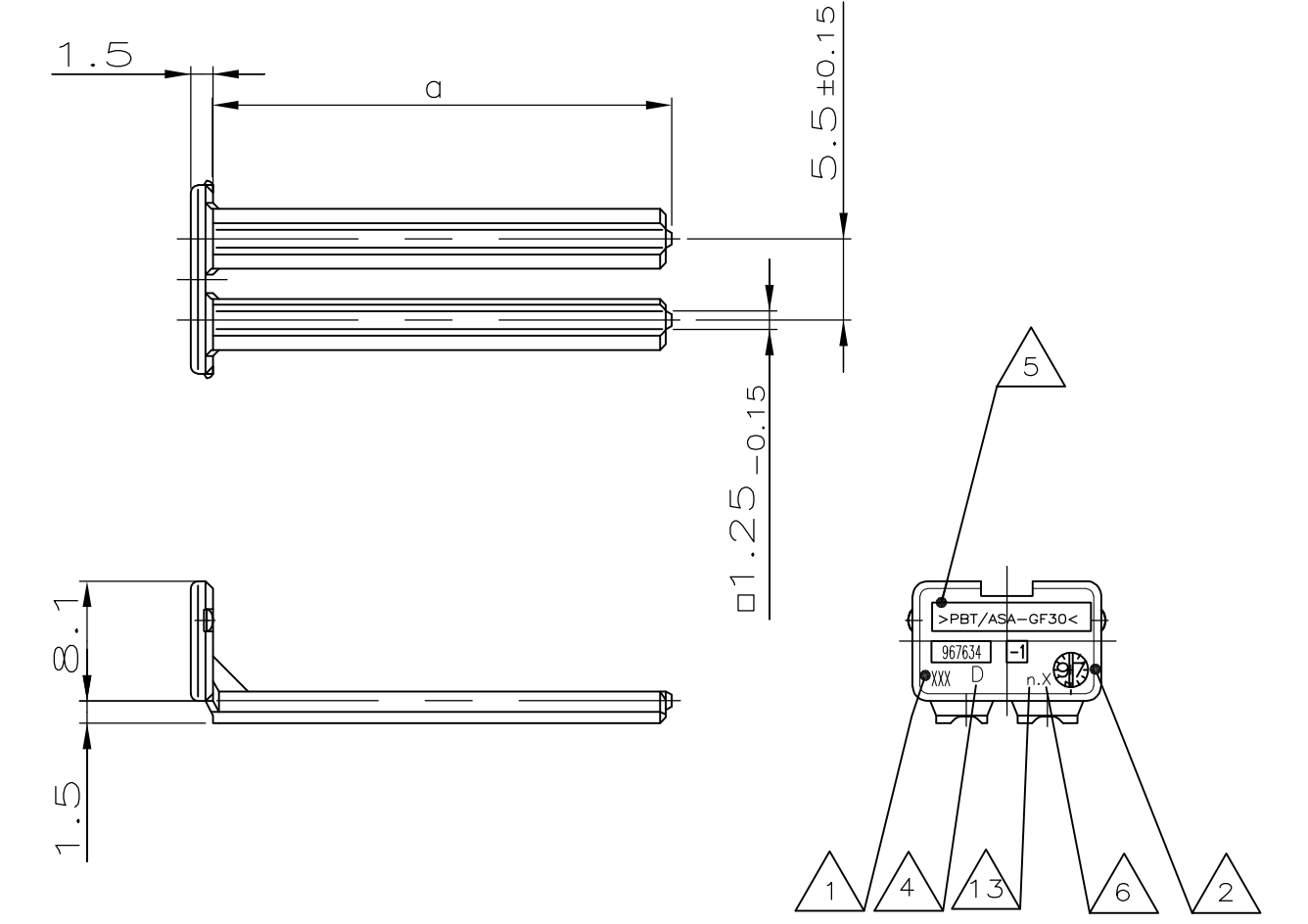
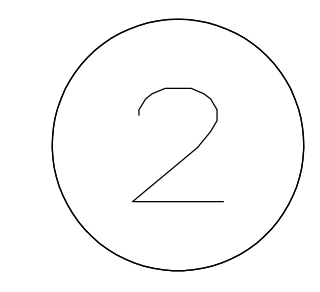
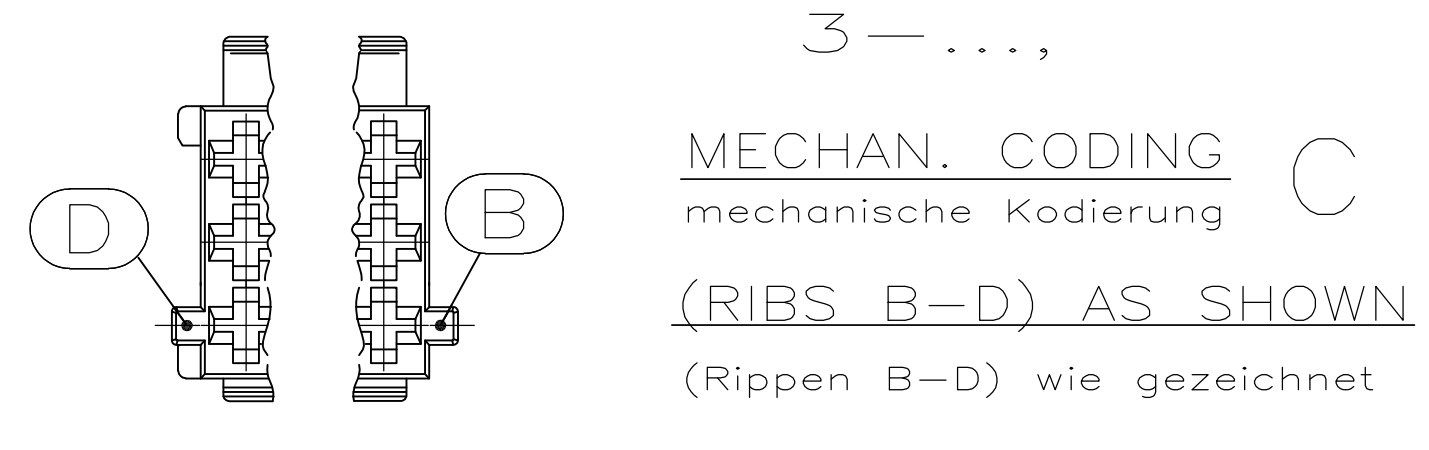
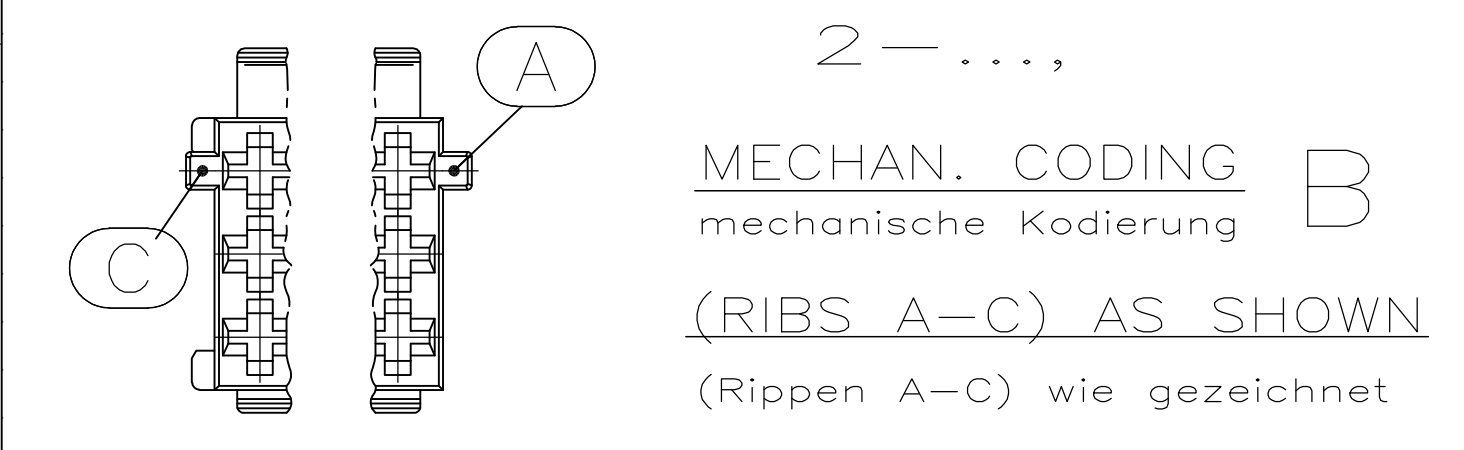


	10.1g	6	30	36.2	21	36	0.7g
	9.1g	5	25	31.2	18	31	0.65g
	7.6g	4	20	26.2	15	26	0.55g
	6.5g	3	15	21.2	12	21	0.5g
	5.1g	2	10	16.2	9	16	0.4g
	3.9g	1	5	11.2	6	11	0.35g



1-967624-...,
MECHAN. CODING A
mechanische Kodierung A
(RIBS B-C) AS SHOWN
(Rippen B-C) wie gezeichnet



- NOTES: Bemerkungen:
- 1. TE CONNECTIVITY RESP. AMP LOGO, SINGLE PART No. 9
 - 2. PRODUCTION-DATE
 - 3. CAVITY-MARKING
 - 4. THE REVISION STATUS OF THE MOULD
 - 5. MATERIAL-MARKING ACC. TO VDA 260
 - 6. MOLD CAVITY-MARKING
 - 7. WARPAGE TO 11.3mm PERMITTED

- 8. DIMENSION RESP. WEIGHT OF SECONDARY LOCKING DEVICE
- 9. PACKAGING: LOOSE PIECE IN CORRUGATED BOX FOR BOTH PARTS
- 10. WARPAGE TO 16mm PERMITTED
- 11. CAVITIES MATING WITH JUNIOR POWER TIMER CONTACT
- 12. MATING WITH: SEE DRAWINGS / s. Zeichnungen:
- 13. TOOL-NUMBERING

CUSTOMER PART NUMBER	ORDER-NO.	REV.	DESCRIPTION	COLOR	CODING/Kodierung C		CODING/Kodierung B		CODING / Kodierung A												MECHANICAL CODING:
					RIBS/Rippen: B-D	RIBS/Rippen: A-C	RIBS / Rippen: B-C														
967635	D	2	SECONDARY LOCKING DEVICE	CLAY BROWN	-	-	-	-	1-967625-6	1-967625-5	1-967625-4	1-967625-3	1-967625-2	1-967625-1	1-967625-0	1	2 POS.				
967634	D	2	SECONDARY LOCKING DEVICE	SLATE GREY	3-967624-6	CLAY BROWN	2-967624-6	CLAY BROWN	1-967624-6	1-967624-5	1-967624-4	1-967624-3	1-967624-2	1-967624-1	1-967624-0	1	18 POS.				
967633	D	2	SECONDARY LOCKING DEVICE	TRAFFIC PURPLE	-	-	-	2-967623-3	1-967623-6	1-967623-5	1-967623-4	1-967623-3	1-967623-2	1-967623-1	1-967623-0	1	5 POS.				
967632	D	2	SECONDARY LOCKING DEVICE	YELLOW GREEN	-	-	-	-	1-967622-6	1-967622-5	1-967622-4	1-967622-3	1-967622-2	1-967622-1	1-967622-0	1	12 POS.				
967631	D	2	SECONDARY LOCKING DEVICE	RAPE YELLOW	-	-	-	-	1-967621-6	1-967621-5	1-967621-4	1-967621-3	1-967621-2	1-967621-1	1-967621-0	1	9 POS.				
968271	D	2	SECONDARY LOCKING DEVICE	GENTIAN BLUE	-	-	-	-	1-965640-7	1-965640-6	1-965640-5	1-965640-4	1-965640-3	1-965640-2	1-965640-1	1-965640-0	1	6 POS.			

SECONDAARY LOCKING DEVICE zweite Kontaktsicherung

JUNIOR POWER TIMER HOUSING / Junior Power Timer Gehäuse

THIS DRAWING IS A CONTROLLED DOCUMENT. DIN K. Gerlach 14.APR 98. R. Huebner 14.APR 98. J. Hoss 14.APR 98.

PRODUCT GROUP DRAWING FOR: JUNIOR POWER TIMER HSG. 6-21 POS. AND SECONDARY LOCKING DEVICE. Produkt-Gruppen-Zeichnung fuer: JPT-Gehaeuse, 6-21polig und zweite Kontaktsicherung

SCALE: MASSSTAB 2:1. SHEET 1 OF 1. REV. 01

X-ON Electronics

Largest Supplier of Electrical and Electronic Components

Click to view similar products for [Automotive Connectors](#) category:

Click to view products by [TE Connectivity](#) manufacturer:

Other Similar products are found below :

[003-018-000](#) [60403001](#) [60993906-B](#) [M902-2131](#) [M902-2161](#) [72.330.1035.1](#) [73.353.4028.0](#) [F119300-B](#) [F166900](#) [F258300-B](#) [F358300-B](#)
[F407400](#) [F444110](#) [F487000](#) [F509500B-B](#) [827153-1](#) [8N1515-32-24P](#) [9-1326729-8](#) [925474-1](#) [928905-1](#) [964562-4](#) [968782-1](#) [GT17SA-8DS-](#)
[HU](#) [98891-1012](#) [98947-1016](#) [12004147](#) [12004475-L](#) [12010290](#) [12010309-B](#) [12015454](#) [12020219-B](#) [12020308](#) [12041318-B](#) [12052225-L](#)
[12052466](#) [12059125](#) [12064869](#) [12004327-B](#) [12010503-B](#) [12015308](#) [12015384](#) [12015909](#) [1-21030-1](#) [12041254](#) [12041318](#) [12047946-B](#)
[12047957](#) [12047957-L](#) [12059473](#) [12066261](#)