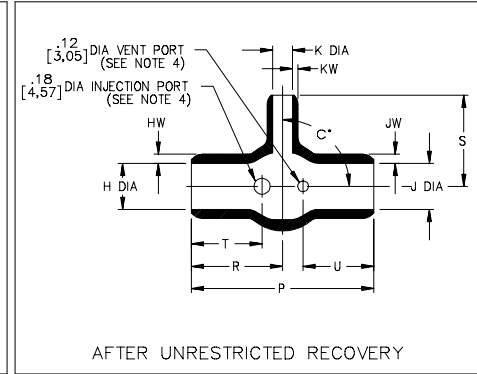
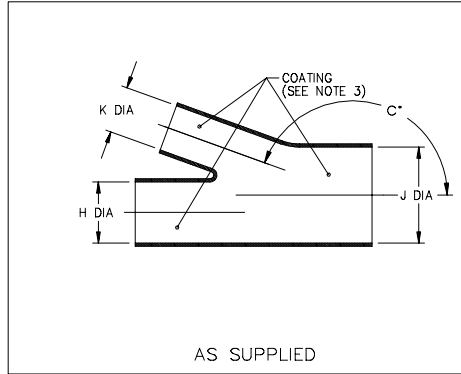


Thermofit[®] Molded Parts
 Specification Control Drawing
 Limited Distribution

Part Number : 322A423
 Description : Transition, 90°, Side Breakout, Thinwall

NOTES

- All dimensions are in $\frac{\text{inches}}{[\text{millimeters}]}$
- Dimensions appearing in table are as follows:
 a - As Supplied
 b - After Unrestricted Recovery
- Coating is optional. As supplied dimensions appearing in table are for uncoated parts. When coating is added, entry diameters will be reduced by .06 max.
- Molding ports are optional. When -00 modification number is specified molding ports will be located as shown.



PART NUMBER	H & J		K		P ±10%	R ±10%	S ±10%	T ±10%	U ±10%	HW&JW ±20%	KW ±20%	C*	
	Min a	Max b	Min a	Max b								±10% a	±5% b
	322A423	1.40 [35,5]	.70 [17,7]	.60 [15,2]	.30 [7,7]	2.00 [50,8]	1.00 [25,4]	1.00 [25,4]	.82 [20,8]	.82 [20,8]	.091 [2,31]	.058 [1,47]	165

Raychem

RAYCHEM CORPORATION
 300 CONSTITUTION DRIVE
 MENLO PARK, CALIFORNIA 94025
 (415) 361-6055

Revision : B
 Date : 8/5/93

Part Number : 322A423
 Description : Transition, 90°, Side Breakout, Thinwall

Thermofit[®] Molded Parts
 Specification Control Drawing
 Limited Distribution

Part Number : 322A423
 Description : Transition, 90°, Side Breakout, Thinwall

MATERIAL DASH NO.	MATERIAL DESCRIPTION	RT SPEC	COATING SLASH NO.	COATING S NO.	COATING DESCRIPTION
-3	Polyolefin, Semi-rigid	RT-301	/42;/86	S-1017;S-1048	Adhesive
-4	Polyolefin, Flexible	RT-1304	/42;/86	S-1017;S-1048	Adhesive
-5	Elastomer, Flexible	RT-501	/42	S-1017	Adhesive
-6	Silicone	RT-602	N/A		
-12	*VITON, Flexible	RT-1312	N/A		
-25	Elastomer, Fluid Resistant	RT-1325	/86	S-1048	Adhesive
-100	Polyolefin, Semi-flexible ZEROHAL™	RT-1323	/180	S-1030	Adhesive

*VITON is a Registered Trademark of Dupont

ORDERING INFORMATION

322A4XX -XX -XX /XXX

Base part number _____

Material dash number _____
 (See Compatability Chart)

Modification number _____
 (If necessary, see front of scd binder for a complete list)

Adhesive slash number _____
 (If necessary, see Compatability Chart)

THIS DRAWING IS SUBJECT TO CHANGE WITHOUT NOTICE; CONSULT YOUR NEAREST FIELD REPRESENTATIVE FOR CURRENT REVISION

Raychem
 RAYCHEM CORPORATION
 300 CONSTITUTION DRIVE
 MENLO PARK, CALIFORNIA 94025
 (415) 361-6055

Revision : B
 Date : 8/5/93

Part Number : 322A423
 Description : Transition, 90°, Side Breakout, Thinwall
 CAD FILE MP93230

X-ON Electronics

Largest Supplier of Electrical and Electronic Components

Click to view similar products for [Heat Shrink Cable Boots & End Caps](#) category:

Click to view products by [TE Connectivity](#) manufacturer:

Other Similar products are found below :

[577159N001](#) [645494-000](#) [CX4132-000](#) [687025-000](#) [705331-000](#) [718446-000](#) [725666N001](#) [729257-000](#) [F27131-000](#) [F85868-000](#) [770-003S106W2](#) [770-013210W1](#) [770-013311](#) [770-013312](#) [806542N001](#) [807507-000](#) [808059-000](#) [808362-000](#) [808618-000](#) [809125-000](#) [809130-000](#) [809218-000](#) [812014-000](#) [812047-000](#) [813166-000](#) [813767N002](#) [814741-000](#) [819117N001](#) [823026-000](#) [823070-000](#) [825002-000](#) [841189N001](#) [861471-000](#) [866647-000](#) [879515-000](#) [937577-000](#) [957073-000](#) [982033-2](#) [A77813-000](#) [R280576000](#) [D96192-000](#) [163549-000](#) [MTPSRBCL-C](#) [1954015-1](#) [200W531-3-0](#) [202A163-4-0-CS5067](#) [202A343-3-00-0](#) [202B221-13-0](#) [202B231-13-0](#) [202B563-25-07-0](#)