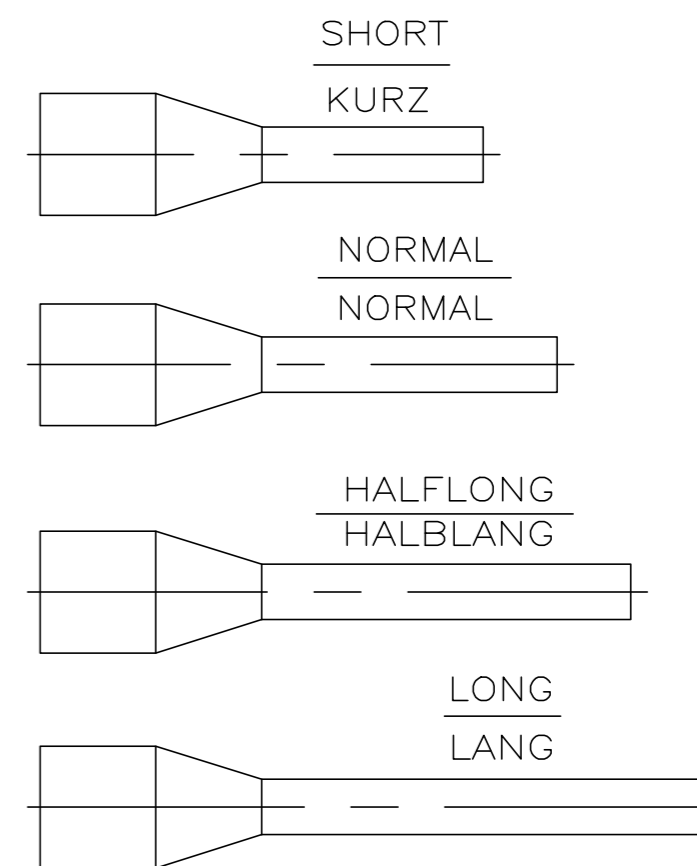
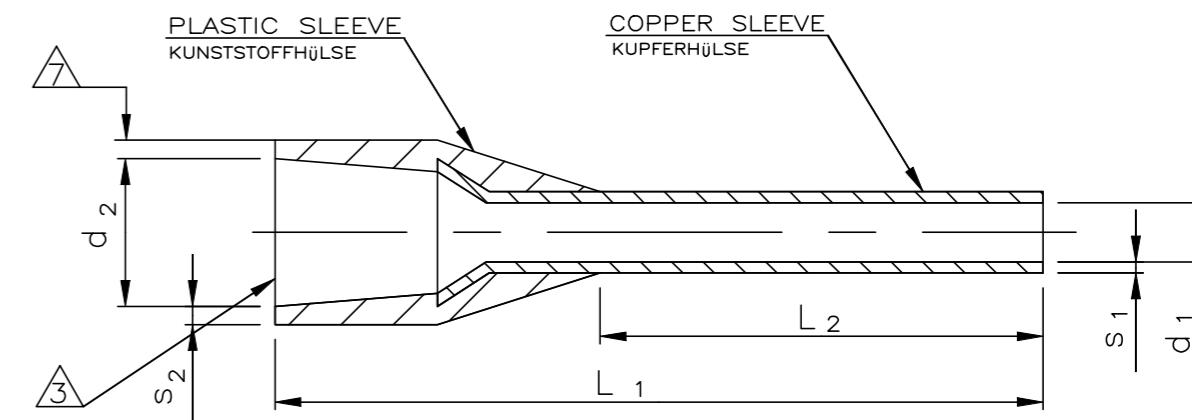


REVISIONS

| P | LTR | DESCRIPTION | DATE | DWN | APVD |
|----|-----|----------------------------|-----------|-----|------|
| B5 | | PART NUMBER STATUS UPDATED | 17FEB2014 | KJK | JK |
| B6 | | ECO-19-003069 | 01OCT2019 | RS | DR |

| ORDER NO. BESTELL-NR. | CROSS SECTION QUERSCHNITT | | STRIP LENGTH ABISOLIER-LÄNGE | TYPE AUSFÜHRUNG | COLOUR FARBE | L ₁ /mm | L ₂ /mm | d ₁ /mm | s ₁ /mm | d ₂ /mm | s ₂ /mm | PACKING UNIT VERPACKUNGSEINHEIT PARTS/STÜCK BAG/BEUTEL |
|--------------------------|------------------------------|-----|---------------------------------|------------------------|------------------|-----------------------|-----------------------|-----------------------|-----------------------|-----------------------|-----------------------|---|
| | mm ² | AWG | | | | | | | | | | |
| 966 067-1 | 0.50 | 20 | 8 | SHORT KURZ | WHITE WEIß | 12.0 ±1.5 | 6.0 ±0.4 | 1.0 +0.14 | 0.15 ±0.05 | 2.6 ±0.2 | 0.25 ±0.10 | 500 |
| 966 067-2 | 0.50 | 20 | 10 | NORMAL | WHITE WEIß | 14.0 ±1.5 | 8.0 ±0.4 | 1.0 +0.14 | 0.15 ±0.05 | 2.6 ±0.2 | 0.25 ±0.10 | 500 |
| 966 067-3 | 0.50 | 20 | 12 | HALFLONG HALBLANG | WHITE WEIß | 16.0 ±1.5 | 10.0 ±0.4 | 1.0 +0.14 | 0.15 ±0.05 | 2.6 ±0.2 | 0.25 ±0.10 | 500 |
| 966 067-4 | 0.75 | 18 | 8 | SHORT KURZ | GREY GRAU | 12.0 ±1.5 | 6.0 ±0.4 | 1.2 +0.14 | 0.15 ±0.05 | 2.8 ±0.2 | 0.25 ±0.10 | 500 |
| 966 067-5 | 0.75 | 18 | 10 | NORMAL | GREY GRAU | 14.0 ±1.5 | 8.0 ±0.4 | 1.2 +0.14 | 0.15 ±0.05 | 2.8 ±0.2 | 0.25 ±0.10 | 500 |
| 966 067-6 | 0.75 | 18 | 12 | HALFLONG HALBLANG | GREY GRAU | 16.0 ±1.5 | 10.0 ±0.4 | 1.2 +0.14 | 0.15 ±0.05 | 2.8 ±0.2 | 0.25 ±0.10 | 500 |
| 966 067-7 | 0.75 | 18 | 14 | LONG LANG | GREY GRAU | 18.0 ±1.5 | 12.0 ±0.6 | 1.2 +0.14 | 0.15 ±0.05 | 2.8 ±0.2 | 0.25 ±0.10 | 500 |
| 966 067-8 | 1.00 | 17 | 8 | SHORT KURZ | RED ROT | 12.0 ±1.5 | 6.0 ±0.4 | 1.4 +0.14 | 0.15 ±0.05 | 3.0 ±0.2 | 0.25 ±0.10 | 500 |
| 966 067-9 | 1.00 | 17 | 10 | NORMAL | RED ROT | 14.0 ±1.5 | 8.0 ±0.4 | 1.4 +0.14 | 0.15 ±0.05 | 3.0 ±0.2 | 0.25 ±0.10 | 500 |
| 1-966 067-0 | 1.00 | 17 | 12 | HALFLONG HALBLANG | RED ROT | 16.0 ±1.5 | 10.0 ±0.4 | 1.4 +0.14 | 0.15 ±0.05 | 3.0 ±0.2 | 0.25 ±0.10 | 500 |
| 1-966 067-1 | 1.00 | 17 | 14 | LONG LANG | RED ROT | 18.0 ±1.5 | 12.0 ±0.6 | 1.4 +0.14 | 0.15 ±0.05 | 3.0 ±0.2 | 0.25 ±0.10 | 500 |
| 1-966 067-2 | 1.50 | 16 | 10 | NORMAL | BLACK SCHWARZ | 14.0 ±1.5 | 8.0 ±0.4 | 1.7 +0.25 | 0.15 ±0.05 | 3.5 ±0.2 | 0.25 ±0.10 | 500 |
| 1-966 067-3 | 1.50 | 16 | 12 | HALFLONG HALBLANG | BLACK SCHWARZ | 16.0 ±1.5 | 10.0 ±0.4 | 1.7 +0.25 | 0.15 ±0.05 | 3.5 ±0.2 | 0.25 ±0.10 | 500 |
| 1-966 067-4 | 1.50 | 16 | 14 | HALFLONG+ HALBLANG+ | BLACK SCHWARZ | 18.0 ±1.5 | 12.0 ±0.6 | 1.7 +0.25 | 0.15 ±0.05 | 3.5 ±0.2 | 0.25 ±0.10 | 500 |
| 1-966 067-6 | 2.50 | 14 | 10 | NORMAL | BLUE BLAU | 14.0 ±1.5 | 8.0 ±0.4 | 2.2 +0.25 | 0.15 ±0.05 | 4.2 ±0.2 | 0.25 ±0.10 | 500 |
| 1-966 067-7 | 2.50 | 14 | 14 | HALFLONG HALBLANG | BLUE BLAU | 18.0 ±1.5 | 12.0 ±0.6 | 2.2 +0.25 | 0.15 ±0.05 | 4.2 ±0.2 | 0.25 ±0.10 | 500 |
| 1-966 067-8 | 2.50 | 14 | 20 | LONG LANG | BLUE BLAU | 24.0 ±2.0 | 18.0 ±0.6 | 2.2 +0.25 | 0.15 ±0.05 | 4.2 ±0.2 | 0.25 ±0.10 | 500 |
| 1-966 067-9 | 4.00 | 11 | 12 | NORMAL | GREY GRAU | 17.0 ±1.5 | 10.0 ±0.4 | 2.8 +0.25 | 0.20 ±0.05 | 4.8 ±0.4 | 0.30 ±0.10 | 500 |
| 2-966 067-0 | 4.00 | 11 | 14 | HALFLONG HALBLANG | GREY GRAU | 20.0 ±1.5 | 12.0 ±0.6 | 2.8 +0.25 | 0.20 ±0.05 | 4.8 ±0.4 | 0.30 ±0.10 | 500 |
| 2-966 067-1 | 4.00 | 11 | 20 | LONG LANG | GREY GRAU | 26.0 ±2.0 | 18.0 ±0.6 | 2.8 +0.25 | 0.20 ±0.05 | 4.8 ±0.4 | 0.30 ±0.10 | 100 |
| 2-966 067-2 | 6.00 | 10 | 14 | NORMAL | YELLOW GELB | 20.0 ±1.5 | 12.0 ±0.6 | 3.5 +0.30 | 0.20 ±0.05 | 6.3 ±0.4 | 0.30 ±0.10 | 100 |
| 2-966 067-3 | 6.00 | 10 | 20 | LONG LANG | YELLOW GELB | 26.0 ±2.0 | 18.0 ±0.6 | 3.5 +0.30 | 0.20 ±0.05 | 6.3 ±0.4 | 0.30 ±0.10 | 100 |
| 2-966 067-4 | 10.00 | 7 | 15 | NORMAL | RED ROT | 22.0 ±2.0 | 12.0 ±0.6 | 4.5 +0.30 | 0.20 ±0.05 | 7.6 ±0.4 | 0.40 ±0.15 | 100 |
| 2-966 067-5 | 10.00 | 7 | 21 | LONG LANG | RED ROT | 28.0 ±2.0 | 18.0 ±0.6 | 4.5 +0.30 | 0.20 ±0.05 | 7.6 ±0.4 | 0.40 ±0.15 | 100 |
| 2-966 067-6 | 16.00 | 5 | 15 | NORMAL | BLUE BLAU | 24.0 ±2.0 | 12.0 ±0.6 | 5.8 +0.30 | 0.20 ±0.05 | 8.8 ±0.4 | 0.40 ±0.15 | 100 |
| 2-966 067-7 | 16.00 | 5 | 21 | LONG LANG | BLUE BLAU | 28.0 ±2.0 | 18.0 ±0.6 | 5.8 +0.30 | 0.20 ±0.05 | 8.8 ±0.4 | 0.40 ±0.15 | 100 |



- 1 THE AWG CROSS-SECTION CAN SLIGHT DEVIATING OF THE DIN-STANDARD CROSS-SECTION VALUES
 - 2 RECOMMENDED STRIP LENGTH
 - 3 MAX. INSULATION-DIA. OF WIRE: d_2 MIN.- 0.1
 - 4 TUBULAR END-SLEEVE WITH PLASTIC SLEEVE ACCORDING TO DIN 46228 PART 4
 - + SPECIAL
 - 5. USE HAND TOOL 539660-1
 - 6. NOTE DELETED.
 - △ LENGTH "L1" INCLUDES MOLDING FLASH PRESENT IN THIS ZONE.
- 1 DER AWG-QUERSCHNITT KANN VON DEN DIN-NORM QUERSCHNITTSWERTEN GERINGFÜGIG ABWEICHEN.
 - 2 EMPFOHLENE ABISOLIERLÄNGE
 - 3 MAX. ISOLATIONS- ϕ DER LEITUNG: d_2 MIN.- 0.1
 - 4 ADERENDHÜLSE MIT KUNSTSTOFFHÜLSE NACH DIN 46228 TEIL 4
 - + SPEZIAL
 - 5. BENUTZEN SIE HANDWERKZEUG 539660-1

| | | | | |
|---|--|-----------------------------------|--|-------------------------|
| THIS DRAWING IS A CONTROLLED DOCUMENT. | | DWN R. SCHMIDT 13NOV1996 | | |
| DIMENSIONS: mm | | CHK W. BOCK 13NOV1996 | | |
| TOLERANCES UNLESS OTHERWISE SPECIFIED: | | APVD G. FELDMEIER 13NOV1996 | NAME TUBULAR END-SLEEVE WITH PLASTIC SLEEVE ADERENDHÜLSE MIT KUNSTSTOFFHÜLSE | |
| 0 PLC ± - 1 PLC ± - 2 PLC ± - 3 PLC ± - 4 PLC ± - ANGLES ± - | | PRODUCT SPEC APPLICATION SPEC | SIZE A2 | |
| MATERIAL - | | WEIGHT - | CAGE CODE 00779 | DRAWING NO. G=966067 |
| | | CUSTOMER DRAWING | | RESTRICTED TO - |
| | | SCALE 1:1 | | SHEET 1 of 1 |
| | | | | REV B6 |

X-ON Electronics

Largest Supplier of Electrical and Electronic Components

Click to view similar products for [Terminals](#) category:

Click to view products by [TE Connectivity](#) manufacturer:

Other Similar products are found below :

[00-054007-01074-6](#) [00-054007-70206-1](#) [00-054007-70210-8](#) [00-054007-70217-7](#) [00-054007-70226-9](#) [00-054007-70228-3](#) [00-054007-70248-1](#) [00-054007-70256-6](#) [00-054007-70301-3](#) [00-054007-70316-7](#) [00-054007-49560-4](#) [00-054007-70209-2](#) [00-054007-70225-2](#) [00-054007-70227-6](#) [00-054007-70231-3](#) [00-054007-70241-2](#) [00-054007-70242-9](#) [00-054007-70244-3](#) [00-054007-70246-7](#) [00-054007-70263-4](#) [00-054007-70288-7](#) [00-054007-70290-0](#) [00-054007-70300-6](#) [00-054007-70304-4](#) [01-2065-1-0216](#) [01-2900-1-04412](#) [00581P0075](#) [600TS-10](#) [60205-1](#) [604200-1](#) [605601-1](#) [60598-1-CUT-TAPE](#) [61314-6-C](#) [61810-3](#) [61-S](#) [61-SN](#) [626-0194](#) [62-NBM-A](#) [62-SN](#) [62-SP](#) [63-S](#) [640179-1](#) [M55155/059I03](#) [M55155/079C01](#) [M55155/099H02](#) [M55155/109H01](#) [M55155/109H02](#) [M55155/12XH05](#) [M55155/16XH02](#) [M55155/29-5S](#)