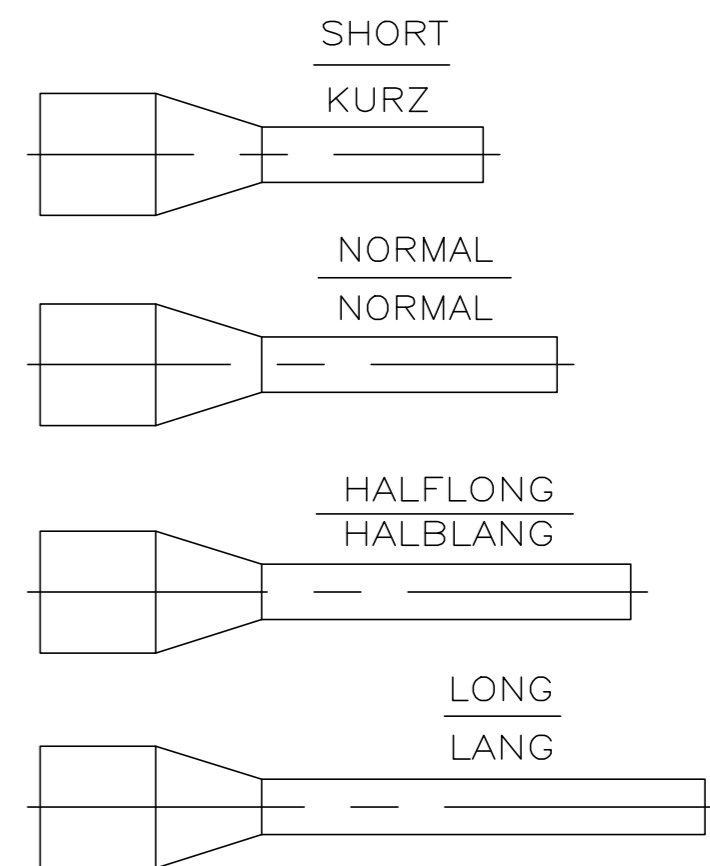
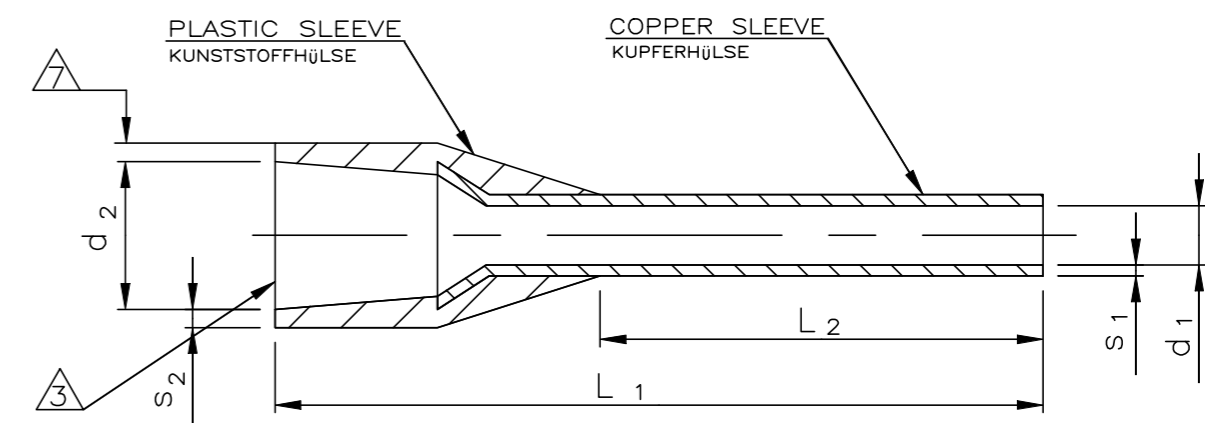


| REVISIONS |     |                            |           |     |      |
|-----------|-----|----------------------------|-----------|-----|------|
| P         | LTR | DESCRIPTION                | DATE      | DWN | APVD |
|           | B5  | PART NUMBER STATUS UPDATED | 17FEB2014 | KJK | JK   |
|           | B6  | ECO-19-003069              | 01OCT2019 | RS  | DR   |

| ORDER NO.<br>BESTELL-NR. | CROSS SECTION<br>QUERSCHNITT |     | STRIP LENGTH<br>ABISOLIER-LÄNGE | TYPE<br>AUSFÜHRUNG     | COLOUR<br>FARBE  | L <sub>1</sub><br>/mm | L <sub>2</sub><br>/mm | d <sub>1</sub><br>/mm | s <sub>1</sub><br>/mm | d <sub>2</sub><br>/mm | s <sub>2</sub><br>/mm | PACKING UNIT<br>VERPACKUNGSEINHEIT<br>PARTS/STÜCK<br>BAG/BEUTEL |
|--------------------------|------------------------------|-----|---------------------------------|------------------------|------------------|-----------------------|-----------------------|-----------------------|-----------------------|-----------------------|-----------------------|---|
|                          | mm <sup>2</sup>              | AWG |                                 |                        |                  |                       |                       |                       |                       |                       |                       |   |
| 966 067-1                | 0.50                         | 20  | 8                               | SHORT<br>KURZ          | WHITE<br>WEIß    | 12.0 ±1.5             | 6.0 ±0.4              | 1.0 +0.14             | 0.15 ±0.05            | 2.6 ±0.2              | 0.25 ±0.10            | 500   |
| 966 067-2                | 0.50                         | 20  | 10                              | NORMAL<br>NORMAL       | WHITE<br>WEIß    | 14.0 ±1.5             | 8.0 ±0.4              | 1.0 +0.14             | 0.15 ±0.05            | 2.6 ±0.2              | 0.25 ±0.10            | 500   |
| 966 067-3                | 0.50                         | 20  | 12                              | HALFLONG<br>HALBLANG   | WHITE<br>WEIß    | 16.0 ±1.5             | 10.0 ±0.4             | 1.0 +0.14             | 0.15 ±0.05            | 2.6 ±0.2              | 0.25 ±0.10            | 500   |
| 966 067-4                | 0.75                         | 18  | 8                               | SHORT<br>KURZ          | GREY<br>GRAU     | 12.0 ±1.5             | 6.0 ±0.4              | 1.2 +0.14             | 0.15 ±0.05            | 2.8 ±0.2              | 0.25 ±0.10            | 500   |
| 966 067-5                | 0.75                         | 18  | 10                              | NORMAL<br>NORMAL       | GREY<br>GRAU     | 14.0 ±1.5             | 8.0 ±0.4              | 1.2 +0.14             | 0.15 ±0.05            | 2.8 ±0.2              | 0.25 ±0.10            | 500   |
| 966 067-6                | 0.75                         | 18  | 12                              | HALFLONG<br>HALBLANG   | GREY<br>GRAU     | 16.0 ±1.5             | 10.0 ±0.4             | 1.2 +0.14             | 0.15 ±0.05            | 2.8 ±0.2              | 0.25 ±0.10            | 500   |
| 966 067-7                | 0.75                         | 18  | 14                              | LONG<br>LANG           | GREY<br>GRAU     | 18.0 ±1.5             | 12.0 ±0.6             | 1.2 +0.14             | 0.15 ±0.05            | 2.8 ±0.2              | 0.25 ±0.10            | 500   |
| 966 067-8                | 1.00                         | 17  | 8                               | SHORT<br>KURZ          | RED<br>ROT       | 12.0 ±1.5             | 6.0 ±0.4              | 1.4 +0.14             | 0.15 ±0.05            | 3.0 ±0.2              | 0.25 ±0.10            | 500   |
| 966 067-9                | 1.00                         | 17  | 10                              | NORMAL<br>NORMAL       | RED<br>ROT       | 14.0 ±1.5             | 8.0 ±0.4              | 1.4 +0.14             | 0.15 ±0.05            | 3.0 ±0.2              | 0.25 ±0.10            | 500   |
| 1-966 067-0              | 1.00                         | 17  | 12                              | HALFLONG<br>HALBLANG   | RED<br>ROT       | 16.0 ±1.5             | 10.0 ±0.4             | 1.4 +0.14             | 0.15 ±0.05            | 3.0 ±0.2              | 0.25 ±0.10            | 500   |
| 1-966 067-1              | 1.00                         | 17  | 14                              | LONG<br>LANG           | RED<br>ROT       | 18.0 ±1.5             | 12.0 ±0.6             | 1.4 +0.14             | 0.15 ±0.05            | 3.0 ±0.2              | 0.25 ±0.10            | 500   |
| 1-966 067-2              | 1.50                         | 16  | 10                              | NORMAL<br>NORMAL       | BLACK<br>SCHWARZ | 14.0 ±1.5             | 8.0 ±0.4              | 1.7 +0.25             | 0.15 ±0.05            | 3.5 ±0.2              | 0.25 ±0.10            | 500   |
| 1-966 067-3              | 1.50                         | 16  | 12                              | HALFLONG<br>HALBLANG   | BLACK<br>SCHWARZ | 16.0 ±1.5             | 10.0 ±0.4             | 1.7 +0.25             | 0.15 ±0.05            | 3.5 ±0.2              | 0.25 ±0.10            | 500   |
| 1-966 067-4              | 1.50                         | 16  | 14                              | HALFLONG+<br>HALBLANG+ | BLACK<br>SCHWARZ | 18.0 ±1.5             | 12.0 ±0.6             | 1.7 +0.25             | 0.15 ±0.05            | 3.5 ±0.2              | 0.25 ±0.10            | 500   |
| 1-966 067-6              | 2.50                         | 14  | 10                              | NORMAL<br>NORMAL       | BLUE<br>BLAU     | 14.0 ±1.5             | 8.0 ±0.4              | 2.2 +0.25             | 0.15 ±0.05            | 4.2 ±0.2              | 0.25 ±0.10            | 500   |
| 1-966 067-7              | 2.50                         | 14  | 14                              | HALFLONG<br>HALBLANG   | BLUE<br>BLAU     | 18.0 ±1.5             | 12.0 ±0.6             | 2.2 +0.25             | 0.15 ±0.05            | 4.2 ±0.2              | 0.25 ±0.10            | 500   |
| 1-966 067-8              | 2.50                         | 14  | 20                              | LONG<br>LANG           | BLUE<br>BLAU     | 24.0 ±2.0             | 18.0 ±0.6             | 2.2 +0.25             | 0.15 ±0.05            | 4.2 ±0.2              | 0.25 ±0.10            | 500   |
| 1-966 067-9              | 4.00                         | 11  | 12                              | NORMAL<br>NORMAL       | GREY<br>GRAU     | 17.0 ±1.5             | 10.0 ±0.4             | 2.8 +0.25             | 0.20 ±0.05            | 4.8 ±0.4              | 0.30 ±0.10            | 500   |
| 2-966 067-0              | 4.00                         | 11  | 14                              | HALFLONG<br>HALBLANG   | GREY<br>GRAU     | 20.0 ±1.5             | 12.0 ±0.6             | 2.8 +0.25             | 0.20 ±0.05            | 4.8 ±0.4              | 0.30 ±0.10            | 500   |
| 2-966 067-1              | 4.00                         | 11  | 20                              | LONG<br>LANG           | GREY<br>GRAU     | 26.0 ±2.0             | 18.0 ±0.6             | 2.8 +0.25             | 0.20 ±0.05            | 4.8 ±0.4              | 0.30 ±0.10            | 100   |
| 2-966 067-2              | 6.00                         | 10  | 14                              | NORMAL<br>NORMAL       | YELLOW<br>GELB   | 20.0 ±1.5             | 12.0 ±0.6             | 3.5 +0.30             | 0.20 ±0.05            | 6.3 ±0.4              | 0.30 ±0.10            | 100   |
| 2-966 067-3              | 6.00                         | 10  | 20                              | LONG<br>LANG           | YELLOW<br>GELB   | 26.0 ±2.0             | 18.0 ±0.6             | 3.5 +0.30             | 0.20 ±0.05            | 6.3 ±0.4              | 0.30 ±0.10            | 100   |
| 2-966 067-4              | 10.00                        | 7   | 15                              | NORMAL<br>NORMAL       | RED<br>ROT       | 22.0 ±2.0             | 12.0 ±0.6             | 4.5 +0.30             | 0.20 ±0.05            | 7.6 ±0.4              | 0.40 ±0.15            | 100   |
| 2-966 067-5              | 10.00                        | 7   | 21                              | LONG<br>LANG           | RED<br>ROT       | 28.0 ±2.0             | 18.0 ±0.6             | 4.5 +0.30             | 0.20 ±0.05            | 7.6 ±0.4              | 0.40 ±0.15            | 100   |
| 2-966 067-6              | 16.00                        | 5   | 15                              | NORMAL<br>NORMAL       | BLUE<br>BLAU     | 24.0 ±2.0             | 12.0 ±0.6             | 5.8 +0.30             | 0.20 ±0.05            | 8.8 ±0.4              | 0.40 ±0.15            | 100   |
| 2-966 067-7              | 16.00                        | 5   | 21                              | LONG<br>LANG           | BLUE<br>BLAU     | 28.0 ±2.0             | 18.0 ±0.6             | 5.8 +0.30             | 0.20 ±0.05            | 8.8 ±0.4              | 0.40 ±0.15            | 100   |



- ① THE AWG CROSS-SECTION CAN SLIGHT DEVIATING OF THE DIN-STANDARD CROSS-SECTION VALUES
  - ② RECOMMENDED STRIP LENGTH
  - ③ MAX. INSULATION-DIA. OF WIRE:  $d_2$  MIN.- 0.1
  - ④ TUBULAR END-SLEEVE WITH PLASTIC SLEEVE ACCORDING TO DIN 46228 PART 4
  - + SPECIAL
  - 5. USE HAND TOOL 539660-1
  - 6. NOTE DELETED.
  - △ LENGTH "L1" INCLUDES MOLDING FLASH PRESENT IN THIS ZONE.
- ① DER AWG-QUERSCHNITT KANN VON DEN DIN-NORM QUERSCHNITTSWERTEN GERINGFÜGIG ABWEICHEN.
  - ② EMPFOHLENE ABISOLIERLÄNGE
  - ③ MAX. ISOLATIONS- $\phi$  DER LEITUNG:  $d_2$  MIN.- 0.1
  - ④ ADERENDHÜLSE MIT KUNSTSTOFFHÜLSE NACH DIN 46228 TEIL 4
  - + SPEZIAL
  - 5. BENUTZEN SIE HANDWERKZEUG 539660-1

|   |  |                                   |  |                    |                         |
|---|--|-----------------------------------|--|--------------------|-------------------------|
| THIS DRAWING IS A CONTROLLED DOCUMENT.                                      |  | DWN<br>R. SCHMIDT<br>13NOV1996    |  |                    |                         |
| DIMENSIONS:<br>mm   |  | CHK<br>W. BOCK<br>13NOV1996       |  |                    |                         |
| TOLERANCES UNLESS OTHERWISE SPECIFIED:                                      |  | APVD<br>G. FELDMEIER<br>13NOV1996 | NAME<br>TUBULAR END-SLEEVE WITH PLASTIC SLEEVE<br>ADERENDHÜLSE MIT KUNSTSTOFFHÜLSE |                    |                         |
| 0 PLC ± -<br>1 PLC ± -<br>2 PLC ± -<br>3 PLC ± -<br>4 PLC ± -<br>ANGLES ± - |  | PRODUCT SPEC<br>APPLICATION SPEC  | SIZE<br>A2   | CAGE CODE<br>00779 | DRAWING NO.<br>G=966067 |
| MATERIAL<br>-   |  | WEIGHT<br>-                       | RESTRICTED TO<br>-   | CUSTOMER DRAWING   |                         |
|   |  | SCALE<br>1:1                      | SHEET<br>1 of 1  | REV<br>B6          |                         |

## X-ON Electronics

Largest Supplier of Electrical and Electronic Components

*Click to view similar products for [Terminals](#) category:*

*Click to view products by [TE Connectivity](#) manufacturer:*

Other Similar products are found below :

[00-054007-01074-6](#) [00-054007-70206-1](#) [00-054007-70210-8](#) [00-054007-70217-7](#) [00-054007-70226-9](#) [00-054007-70228-3](#) [00-054007-70248-1](#) [00-054007-70256-6](#) [00-054007-70301-3](#) [00-054007-70316-7](#) [00-054007-49560-4](#) [00-054007-70209-2](#) [00-054007-70225-2](#) [00-054007-70227-6](#) [00-054007-70231-3](#) [00-054007-70241-2](#) [00-054007-70242-9](#) [00-054007-70244-3](#) [00-054007-70246-7](#) [00-054007-70263-4](#) [00-054007-70288-7](#) [00-054007-70290-0](#) [00-054007-70300-6](#) [00-054007-70304-4](#) [01-2065-1-0216](#) [01-2900-1-04412](#) [00581P0075](#) [600TS-10](#) [60205-1](#) [604200-1](#) [605601-1](#) [60598-1-CUT-TAPE](#) [61314-6-C](#) [61810-3](#) [61-S](#) [61-SN](#) [626-0194](#) [62-NBM-A](#) [62-SN](#) [62-SP](#) [63-S](#) [640179-1](#) [M55155/059I03](#) [M55155/079C01](#) [M55155/099H02](#) [M55155/109H01](#) [M55155/109H02](#) [M55155/12XH05](#) [M55155/16XH02](#) [M55155/29-5S](#)