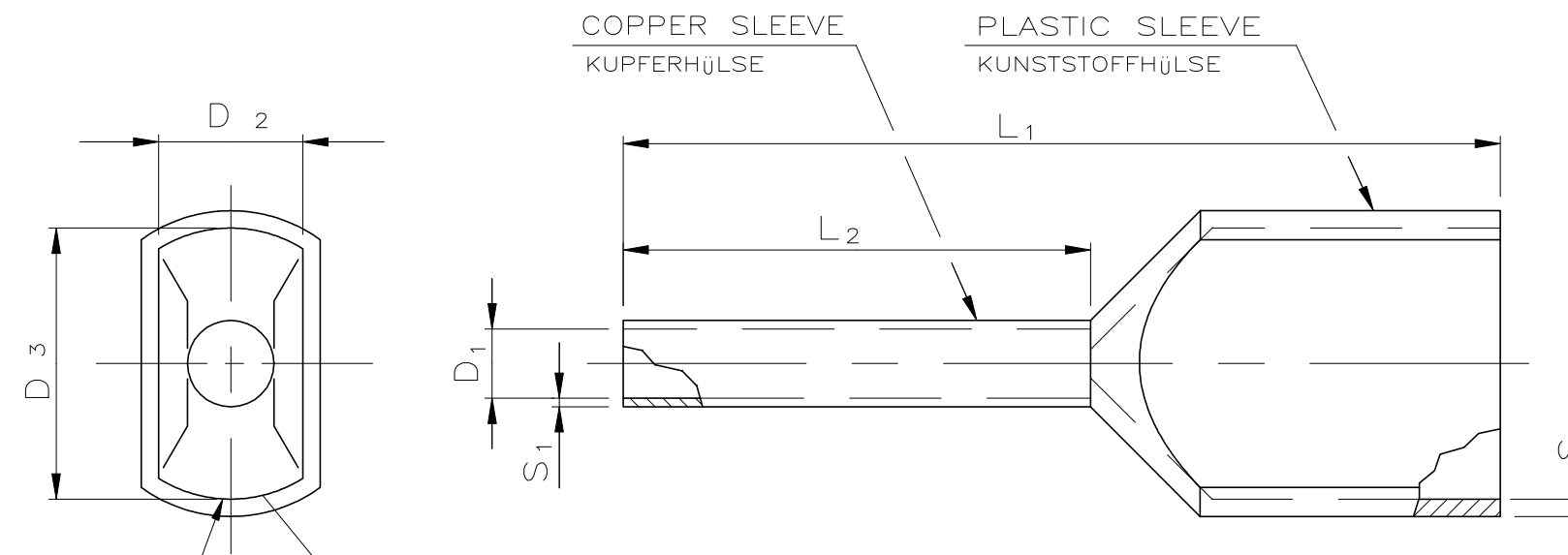
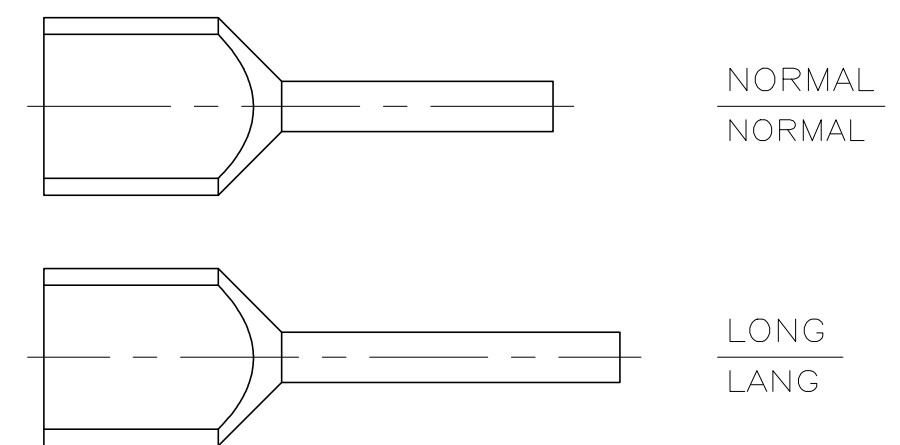


THIS DRAWING IS UNPUBLISHED.
VERTRAULICHE UNVERÖFFENTLICHTE ZEICHNUNG
© COPYRIGHT - By -
RELEASED FOR PUBLICATION
FREI FÜR VERÖFFENTLICHUNG
ALL RIGHTS RESERVED.
ALLE RECHTE VORBEHALTEN

| P | | LTR | DESCRIPTION BESCHREIBUNG | DATE | DWN | APVD |
|---------------|--|-----|-----------------------------|-----------|-----|------|
| PROJECT NO. : | | B6 | PART NUMBER STATUS UPDATED | 24FEB2014 | KJK | JK |
| E93-52531 | | B7 | OBSOLETE PN 966144-5 | 21FEB2018 | SH | GN |
| | | B8 | ECO-19-003069 | 01OCT2019 | RS | DR |



| ORDER NO. BESTELL-NR. | CROSS-SECTION QUERSCHNITT | | STRIP LENGTH ABISOLIERLÄNGE /mm | TYPE AUSFÜHRUNG | COLOUR FARBE | L1 /mm | L2 /mm | D1 /mm | S1 /mm | S2 /mm | D2 /mm | D3 /mm | COLOUR TYPE FARB- REIHE | PACKING UNIT VERPACKUNGS- EINHEIT PIECES PER BAG STÜCK PRO BEUTEL |
|--------------------------|------------------------------|------|---------------------------------------|--------------------|------------------|-----------|-----------|------------|------------|------------|-----------|-----------|----------------------------------|--|
| | mm ² | AWG | | | | | | | | | | | | |
| 966 144-1 | 2x0.50 | 2x20 | 11 | NORMAL | WHITE WEISS | 15.0 ±1.5 | 8.00 ±0.6 | 1.40 +0.14 | 0.15 ±0.05 | 0.25 ±0.10 | 2.50 ±0.2 | 4.70 ±0.4 | 1/DIN | 500 |
| 966 144-2 | 2x0.75 | 2x18 | 11 | NORMAL | GREY GRAU | 15.0 ±1.5 | 8.00 ±0.6 | 1.70 +0.25 | 0.15 ±0.05 | 0.25 ±0.10 | 2.80 ±0.2 | 5.00 ±0.4 | DIN | 500 |
| 966 144-3 | 2x0.75 | 2x18 | 13 | LONG | GREY GRAU | 17.0 ±1.5 | 10.0 ±0.6 | 1.70 +0.25 | 0.15 ±0.05 | 0.25 ±0.10 | 2.80 ±0.2 | 5.00 ±0.4 | DIN | 500 |
| 966 144-4 | 2x1.00 | 2x17 | 11 | NORMAL | RED ROT | 15.0 ±1.5 | 8.00 ±0.6 | 1.95 +0.25 | 0.15 ±0.05 | 0.30 ±0.10 | 3.40 ±0.2 | 5.40 ±0.4 | 1/DIN | 500 |
| 966 144-6 | 2x1.50 | 2x16 | 12 | NORMAL | BLACK SCHWARZ | 16.0 ±1.5 | 8.00 ±0.6 | 2.20 +0.25 | 0.15 ±0.05 | 0.30 ±0.10 | 3.60 ±0.2 | 6.60 ±0.4 | 1/DIN | 500 |
| 966 144-7 | 2x1.50 | 2x16 | 16 | LONG | BLACK SCHWARZ | 20.0 ±1.5 | 12.0 ±0.6 | 2.20 +0.25 | 0.15 ±0.05 | 0.30 ±0.10 | 3.60 ±0.2 | 6.60 ±0.4 | 1/DIN | 500 |
| 966 144-8 | 2x2.50 | 2x14 | 14 | NORMAL | BLUE BLAU | 18.5 ±1.5 | 10.0 ±0.6 | 2.80 +0.25 | 0.20 ±0.05 | 0.30 ±0.10 | 4.20 ±0.2 | 7.80 ±0.4 | 2/DIN | 250 |
| 966 144-9 | 2x2.50 | 2x14 | 17 | LONG | BLUE BLAU | 21.5 ±2.0 | 13.0 ±0.6 | 2.80 +0.25 | 0.20 ±0.05 | 0.30 ±0.10 | 4.20 ±0.2 | 7.80 ±0.4 | 2/DIN | 250 |
| 1-966 144-0 | 2x4.00 | 2x11 | 17 | NORMAL | GREY GRAU | 23.0 ±2.0 | 12.0 ±0.6 | 3.70 +0.30 | 0.20 ±0.05 | 0.40 ±0.15 | 4.90 ±0.4 | 8.80 ±0.4 | 2/DIN | 100 |
| 1-966 144-1 | 2x6.00 | 2x10 | 19 | NORMAL | YELLOW GELB | 26.0 ±2.0 | 14.0 ±0.6 | 4.80 +0.30 | 0.20 ±0.05 | 0.40 ±0.15 | 6.90 ±0.4 | 10.0 ±0.4 | DIN | 100 |
| 1-966 144-7 | 2x0.75 | 2x18 | 13 | LONG | BLUE BLAU | 17.0 ±1.5 | 10.0 ±0.6 | 1.70 +0.25 | 0.15 ±0.05 | 0.25 ±0.10 | 2.80 ±0.2 | 5.00 ±0.4 | 1 | 500 |
| 2-966 144-2 | 2x1.50 | 2x16 | 16 | LONG | RED ROT | 20.0 ±1.5 | 12.0 ±0.6 | 2.20 +0.25 | 0.15 ±0.05 | 0.30 ±0.10 | 3.60 ±0.2 | 6.60 ±0.4 | 2 | 500 |
| 2-966 144-5 | 2x4.00 | 2x11 | 17 | NORMAL | ORANGE ORANGE | 23.0 ±2.0 | 12.0 ±0.6 | 3.70 +0.30 | 0.20 ±0.05 | 0.40 ±0.15 | 4.90 ±0.4 | 8.80 ±0.4 | 1 | 100 |
| 2-966 144-6 | 2x6.00 | 2x10 | 19 | NORMAL | GREEN GRÜN | 26.0 ±2.0 | 14.0 ±0.6 | 4.80 +0.30 | 0.20 ±0.05 | 0.40 ±0.15 | 6.90 ±0.4 | 10.0 ±0.4 | 1 | 100 |



- 1 THE AWG CROSS-SECTION CAN DIFFER SLIGHTLY TO THE DIN-STANDARD CROSS-SECTION VALUES.
- 2 RECOMMENDED STRIP LENGTH
- 3 TUBULAR END-SLEEVES PACKED INTO PLASTIC BAG
- 4 COLOUR TYPE 1: COLOURS PER TELEMECANIQUE STANDARD
COLOUR TYPE 2: COLOURS PER WEIDM ÜLLER STANDARD
COLOUR TYPE DIN: COLOURS PER DIN 46228 PART 4
- 5 MAX.INSULATION DIA. OF WIRE: 0.5xD₃ MIN. -0.1
- 6. USE HAND TOOL 539660-1
- 7 LENGTH "L1" INCLUDES MOLDING FLASH PRESENT ON THIS SURFACE

- 1 DER AWG-QUERSCHNITT KANN VON DEN DIN-NORM QUERSCHNITTSWERTEN GERINGFÜGIG ABWEICHEN.
- 2 EMPFOHLENE ABISOLIERLÄNGE
- 3 ADERENDHÜLSEN IN PLASTIKBEUTEL VERPACKT
- 4 FARBREIHE 1: FARBEN NACH TELEMECANIQUE STANDARD
FARBREIHE 2: FARBEN NACH WEIDM ÜLLER STANDARD
FARBREIHE DIN: FARBEN NACH DIN 46228 TEIL 4
- 5 MAX. ISOLATIONS-Ø DER LEITUNG: 0.5xD₃ MIN. -0.1
- 6. BENUTZEN SIE HANDWERKZEUG 539660-1

| | | | | | | |
|--|--|---|--|--------------------|--|-------------------------------|
| THIS DRAWING IS A CONTROLLED DOCUMENT. DIESE ZEICHNUNG IST EIN KONTROLLIERTES DOKUMENT. | | DWN R.SCHMIDT 22-FEB-93 | | | | |
| DIMENSIONS: MASSE/WEITEN: mm | | CHK W.BÖCK 02-MAR-93 | | | | |
| | TOLERANCES UNLESS OTHERWISE SPECIFIED: ALL GEMEINTOLERANZEN | APVD G.FELDMEIER 29-NOV-00 | NAME | | | |
| | 0 PLC ± - 1 PLC ± - 2 PLC ± - 3 PLC ± - 4 PLC ± - ANGLES / WINKEL ± - | PRODUCT SPEC PRODUKTSPEZ. - | DOUBLE CONDUCTOR TUBULAR END-SLEEVE WITH PLASTIC SLEEVE | | | |
| MATERIAL PP/E-Cu | FINISH / OBERFL.: S _n COLOUR: SEE TABLE FARBE: SIEHE TABELLE | APPLICATION SPEC VERARBEITUNGSSPEZ. - | SIZE A2 | CAGE CODE 00779 | DRAWING NO ZEICHNUNGS-NR. G=966144 | RESTRICTED TO NUR FÜR - |
| CUSTOMER DRAWING / KUNDENZEICHNUNG | | SCALE MASSSTAB 1:1 | SHEET BLATT 1 | OF VON 1 | REV B8 | |

X-ON Electronics

Largest Supplier of Electrical and Electronic Components

Click to view similar products for [Terminals](#) category:

Click to view products by [TE Connectivity](#) manufacturer:

Other Similar products are found below :

[00-054007-01074-6](#) [00-054007-70206-1](#) [00-054007-70210-8](#) [00-054007-70217-7](#) [00-054007-70226-9](#) [00-054007-70228-3](#) [00-054007-70248-1](#) [00-054007-70256-6](#) [00-054007-70301-3](#) [00-054007-70316-7](#) [0-0320562-0](#) [00-054007-49560-4](#) [00-054007-70209-2](#) [00-054007-70225-2](#) [00-054007-70227-6](#) [00-054007-70231-3](#) [00-054007-70241-2](#) [00-054007-70242-9](#) [00-054007-70244-3](#) [00-054007-70246-7](#) [00-054007-70263-4](#) [00-054007-70288-7](#) [00-054007-70290-0](#) [00-054007-70300-6](#) [00-054007-70304-4](#) [01-2065-1-0216](#) [01-2900-1-04412](#) [00581P0075](#) [600TS-10](#) [60205-1](#) [604200-1](#) [605601-1](#) [60598-1-CUT-TAPE](#) [61314-6-C](#) [61810-3](#) [61-S](#) [61-SN](#) [626-0194](#) [62-NBM-A](#) [62-SN](#) [62-SP](#) [63-S](#) [640179-1](#) [M55155/059I03](#) [M55155/079C01](#) [M55155/099H02](#) [M55155/109H01](#) [M55155/109H02](#) [M55155/12XH05](#) [M55155/16XH02](#)