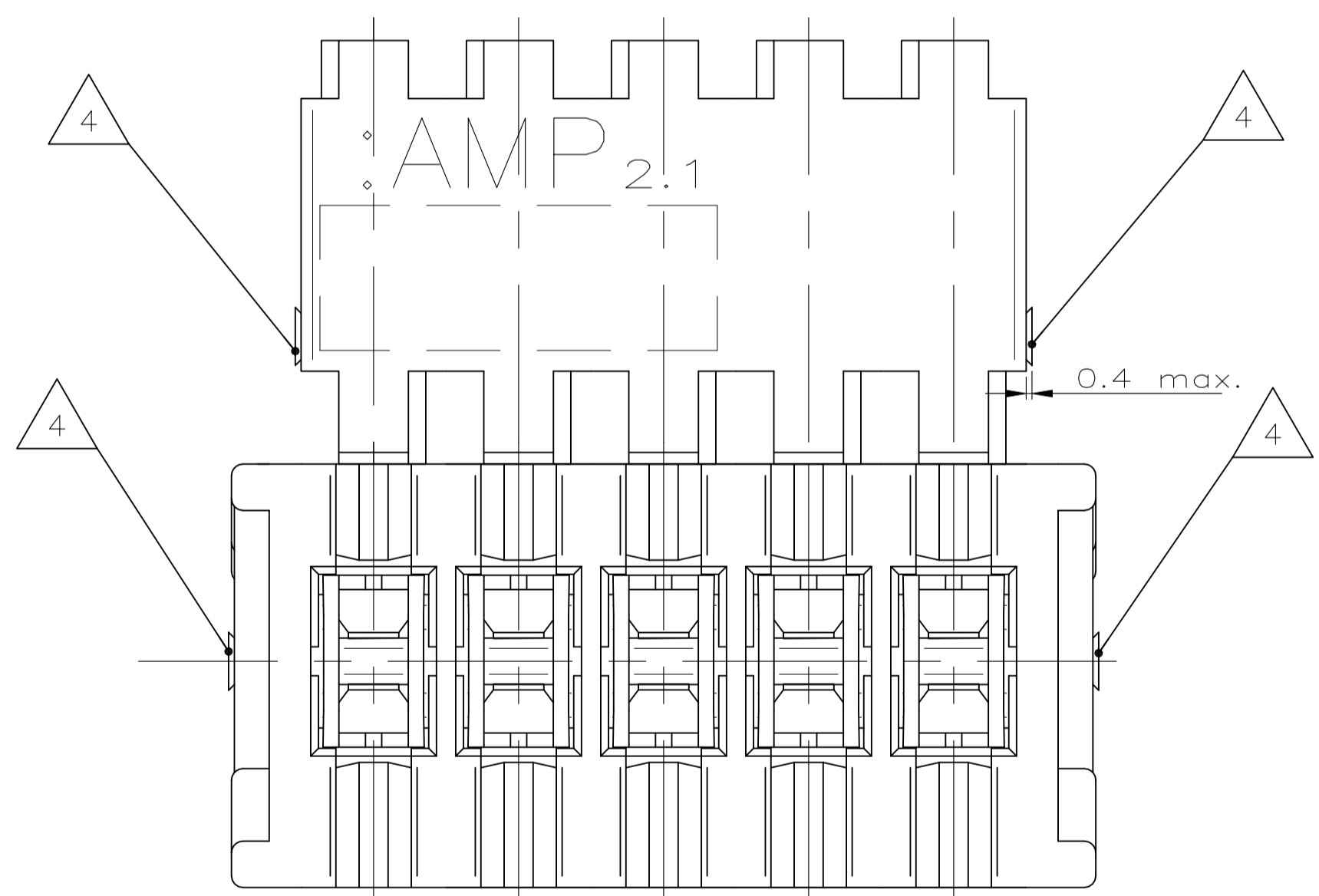
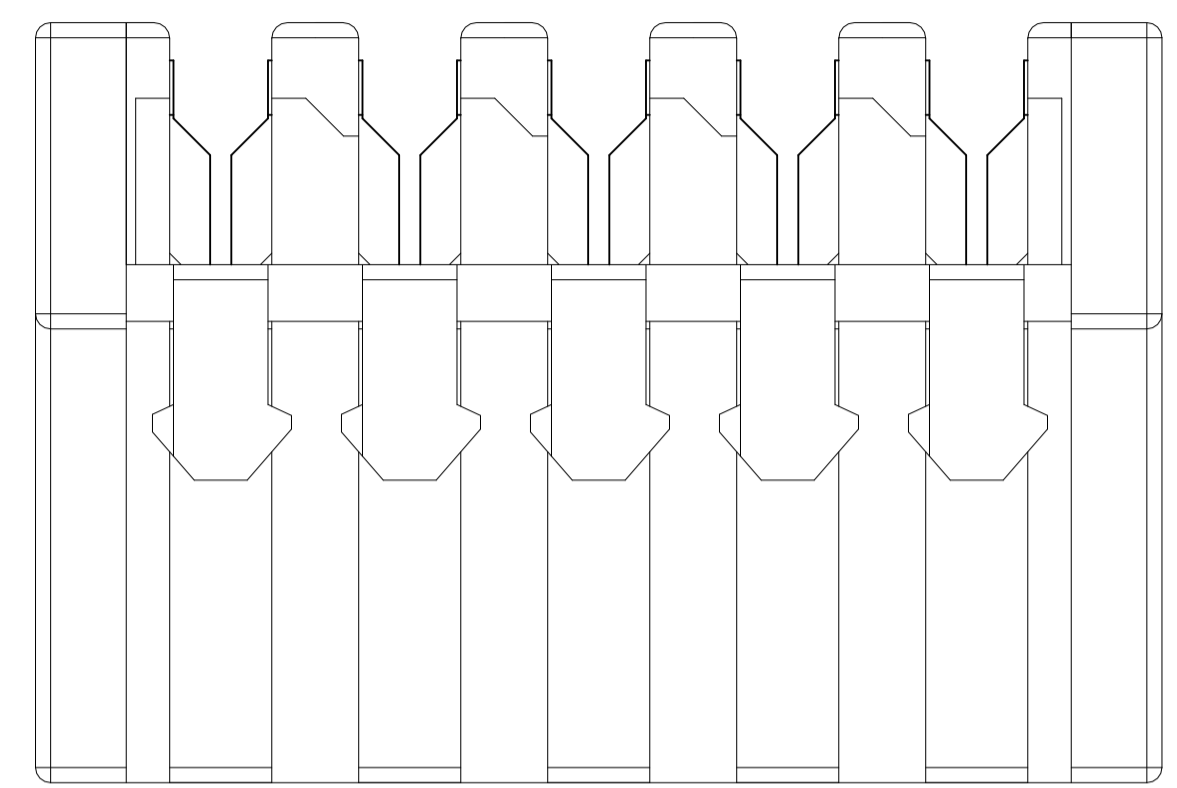
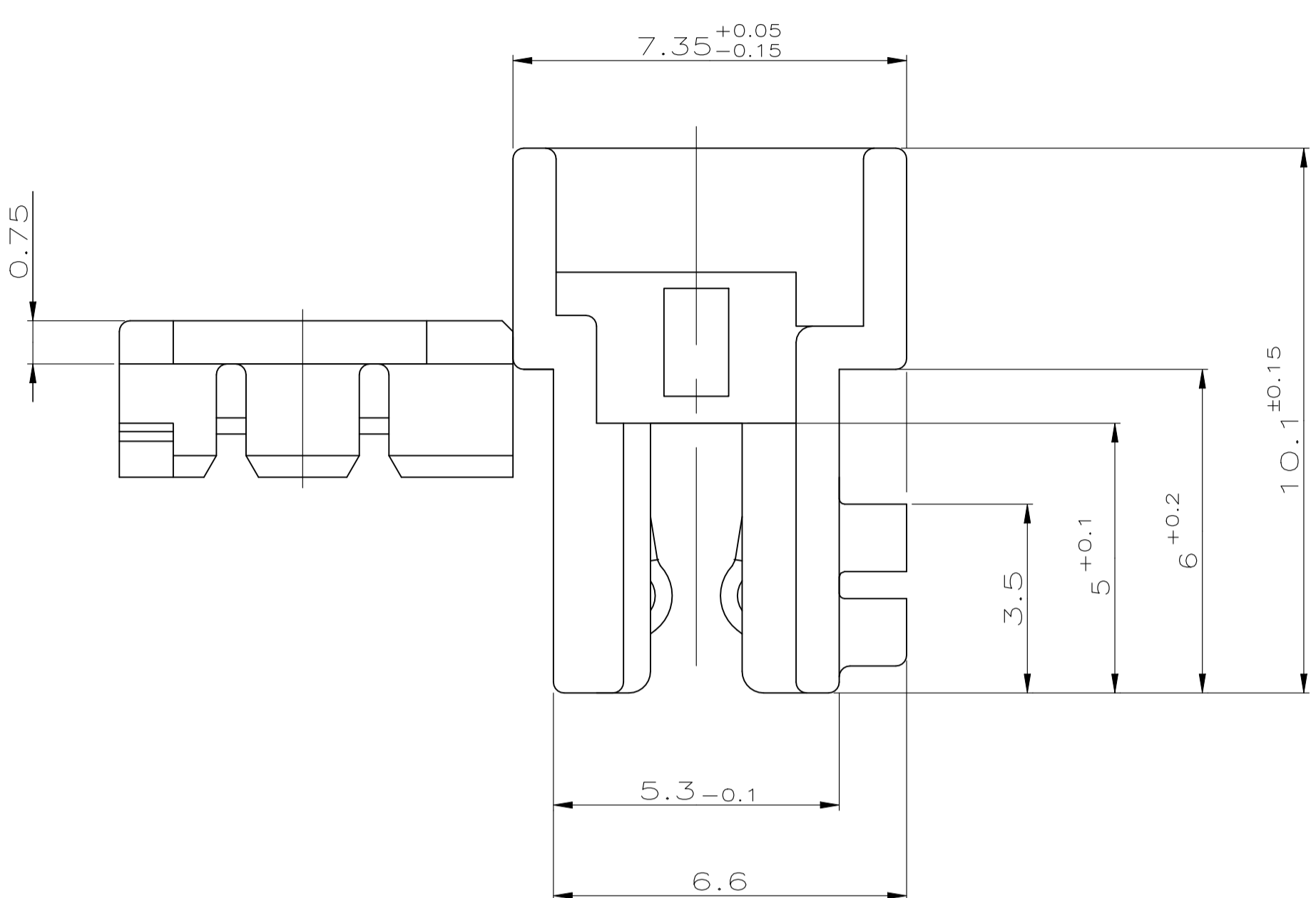
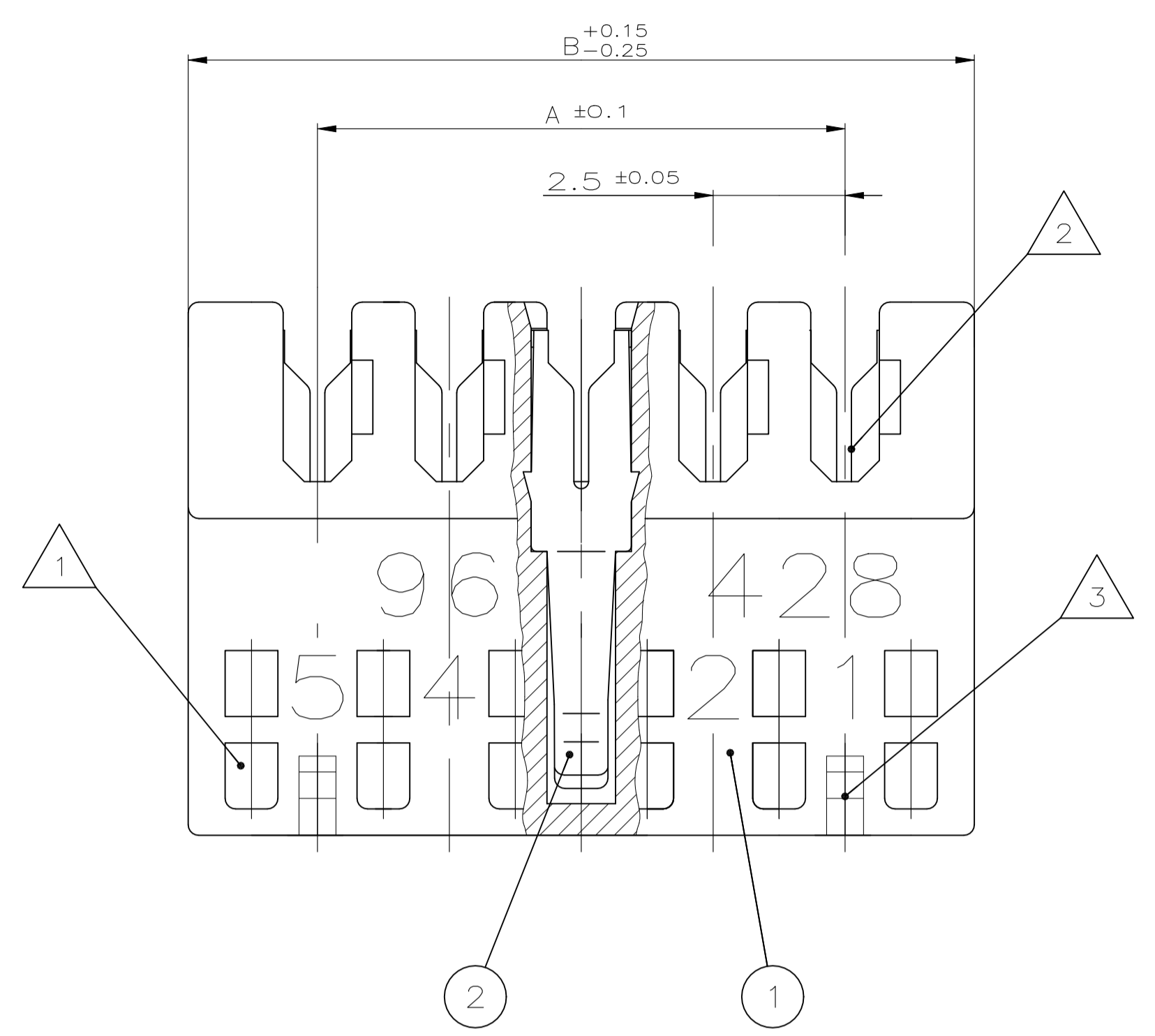


| REVISIONS | | | | | | |
|-----------|-----------|----|-----|------|---------------------------|------|
| REV | DATE | BY | CHK | APPV | DESCRIPTION | DATE |
| D2 | 20JAN2022 | PJ | FL | | REVISED PER ECR-22-126910 | |



- 10 PART RELEASED WITH PARTIAL VALIDATION AND PENDING AGENCY APPROVALS.
- 9 ALTERNATIVE RESIN PBT GF
- 8 PRELIMINARY PART, NOT YET RELEASED FOR PRODUCTION
- 7 PBT GF, UL94-V0 & GWEPT 750 NO-FLAME, NATURAL
- 6 PBT GF
- 5 PASSENDE GEGENSTECKER:
 -TABWANNE SIEHE ZEICHNUNG 1971817 AND EQUIVALENT;
 -LEITERKARTENANSCHLUSS MIT RAHMEN SIEHE ZEICHNUNG 964 575
 -LEITERKARTENANSCHLUSS OHNE RAHMEN SIEHE SPEZIFIKATION 108-18056
 MATING PARTS:
 -TABHEADER SEE DRAWING NO. 1971817 AND EQUIVALENT;
 -PCB APPLICATION WITH FRAME SEE DRAWING 964 575
 -PCB APPLICATION WITHOUT FRAME SEE SPECIFICATION 108-18056
- 4 SCHNITTBEREICH DURCH HERSTELLUNGSPROZESS
 CUTTING AREA FROM PRODUCING PROCESS
- 3 RASTMÖGLICHKEIT FÜR INNENVERRASTUNG AUF ANFRAGE
 LOCKING FEATURE FOR INTERIOR LOCKING BY REQUEST
- 2 WIRE RANGE, DGB II (7xØ0.25=0.35mm²)
 SEE APPLICATION SPECIFICATION 114-18049-1
- 1 KODIERRIPPEN; SCHNEIDEN AUF DER VERARBEITUNGSMASCHINE GEM. G. LICH.
 KEYING RIBS; CUTTING WITH THE TERMINATION MACHINE POSSIBLE

| STÜCK | POS. | DIM A | DIM B | TE P/N | TE P/N | TE P/N |
|-------|------|-------|-------|------------|-------------|--------------|
| 3x | 20 | 47.5 | 52.4 | 1-966195-0 | - | - |
| 3x | 19 | 45.0 | 49.9 | 1-966195-9 | 2311511-9 | △1-2404188-9 |
| 4x | 18 | 42.5 | 47.4 | 1-966195-8 | 2311511-8 | △1-2404188-8 |
| 4x | 17 | 40.0 | 44.9 | 1-966195-7 | - | - |
| 4x | 16 | 37.5 | 42.4 | 1-966195-6 | 2311511-6 | △1-2404188-6 |
| 4x | 15 | 35.0 | 39.9 | 1-966195-5 | 2311511-5 | △1-2404188-5 |
| 5x | 14 | 32.5 | 37.4 | 1-966195-4 | - | - |
| 5x | 13 | 30.0 | 34.9 | 1-966195-3 | - | - |
| 5x | 12 | 27.5 | 32.4 | 1-966195-2 | 2311511-2 | △1-2404188-2 |
| 6x | 11 | 25.0 | 29.9 | 1-966195-1 | 2311511-1 | △1-2404188-1 |
| 6x | 10 | 22.5 | 27.4 | 1-966194-0 | 2-2311510-0 | △2-2403118-0 |
| 7x | 9 | 20.0 | 24.9 | 1-966194-9 | 1-2311510-9 | △1-2403118-9 |
| 8x | 8 | 17.5 | 22.4 | 1-966194-8 | 1-2311510-8 | △1-2403118-8 |
| 8x | 7 | 15.0 | 19.9 | 1-966194-7 | 1-2311510-7 | △1-2403118-7 |
| 10x | 6 | 12.5 | 17.4 | 1-966194-6 | 1-2311510-6 | △1-2403118-6 |
| 11x | 5 | 10.0 | 14.9 | 1-966194-5 | 1-2311510-5 | △1-2403118-5 |
| 13x | 4 | 7.5 | 12.4 | 1-966194-4 | 1-2311510-4 | △1-2403118-4 |
| 16x | 3 | 5.0 | 9.9 | 1-966194-3 | 1-2311510-3 | △1-2403118-3 |

| | | | | | | | | | | | |
|---|--|--|--|--|-------|------------------|--|--|---|-----------------|--|
| SIEHE TABELLE 2 - KONTAKT | | | | | CuSn | VORVERZINNT | THIS DRAWING IS A CONTROLLED DOCUMENT. | | DIN MASEK 31.03.93 | TE Connectivity | |
| SEE TABLE 1 - FEDERLEISTENGEHÄUSE | | | | | PBT/P | GRAU | DIMENSIONS: mm | | CHK BORMUTH 31.03.93 | NAME | |
| BESTELL-NR. POS. STÜCK BENENNUNG EINZELTEIL WERKSTOFF | | | | | | OBERFLÄCHE FARBE | TOLERANCES UNLESS OTHERWISE SPECIFIED: 0. PLC ± - 1. PLC ± 0.2 2. PLC ± - 3. PLC ± - 4. PLC ANGLES ± 1° | | PRODUCT SPEC APPLICATION SPEC 114-18049-1 | | |
| | | | | | | | MATERIAL FINISH | | AMP DUOPLUG 2.5™ FEMALE CONNECTOR 3-20 POSITION, DGB II | | |
| | | | | | | | | | SIZE CAGE CODE DRAWING NO. RESTRICTED TO A1 00779 966194 | | |
| | | | | | | | | | WEIGHT 0 CUSTOMER DRAWING SCALE 10:1 SHEET 1 of 1 REV D2 | | |

X-ON Electronics

Largest Supplier of Electrical and Electronic Components

Click to view similar products for [Standard Card Edge Connectors](#) category:

Click to view products by [TE Connectivity](#) manufacturer:

Other Similar products are found below :

[CR7E-30DB-3.96E\(72\)](#) [6364499-1](#) [6565204-6](#) [PKC-156](#) [1437274-4](#) [147889-1](#) [1489165-4](#) [EBT15622B2X](#) [1-582587-1](#) [284-0102-12100](#)
[286-0052-12101A](#) [306022901000000](#) [307-012-502-202](#) [307-056-520-300](#) [2129318-1](#) [245-062-520-350](#) [287-0032-12101](#) [306-028-525-102](#)
[307-072-526-202](#) [345-060-559-303](#) [392-008-559-201](#) [534671-1](#) [341-240-317](#) [345-044-500-300](#) [346-240-318](#) [395-100-524-300](#) [09-07-2032](#)
[10035388-802LF](#) [10115859-011LF](#) [10122859-009LF](#) [10127905-B04B24BLF](#) [530555-1](#) [5-678046-1](#) [73726-0005](#) [66308-1](#) [1-1437275-6](#)
[PEC-07-02-T-S-A](#) [346-014-520-801](#) [307-048-502-202](#) [CE100F22-9-C](#) [CE100F26-7-C](#) [CE100F28-3-D](#) [CE156F18-9-C](#) [CE156F22-5-D](#)
[CE156F22-9-C](#) [CT100F22-2-D](#) [CT100F22-3-D](#) [CT100F24-2-D](#) [CT100F24-3-D](#) [CT100F24-6-C](#)