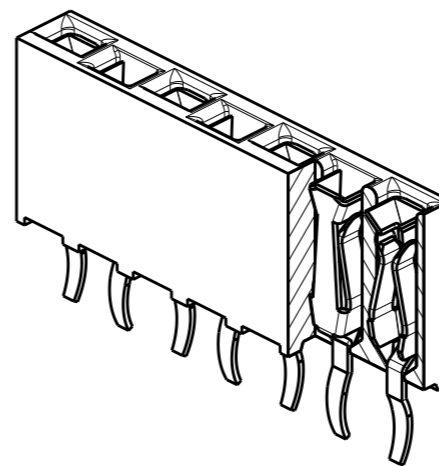
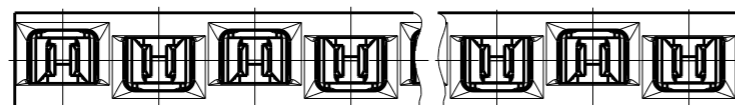
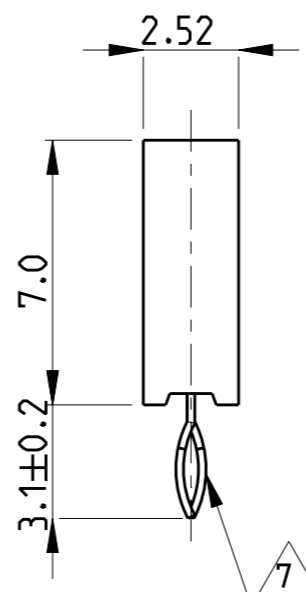
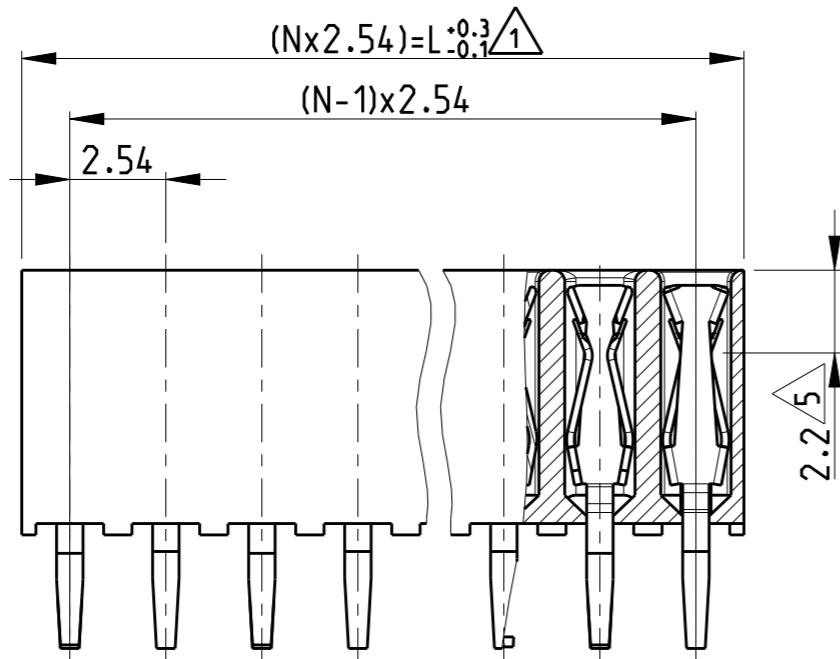


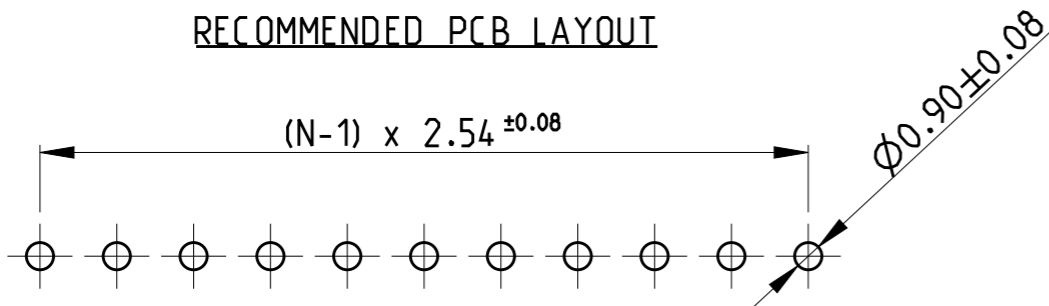
© 2019 TE Connectivity. All Rights Reserved.

POS.	L	PART-NO. ASSEMBLY
4	10.16	5-966444-4
6	15.24	5-966444-6
10	25.40	6-966444-0



4:1

RECOMMENDED PCB LAYOUT



REVISIONS					
P	LTR	DESCRIPTION	DATE	DWN	APVD
D		PLASTIC MATERIAL SUPPLIER CHANGE	20MAR2019	SS	PS

NOTES:

- 1 TO DETERMINE DIMENSIONS TAKE N = NR. OF POS.
FOR EXAMPLE: 10 POS; N x 2.54 = 25.4mm
FOR ORDER NO: USE BASIC - NR. + NR. OF POS.
FOR EXAMPLE: 4POS. = 5-966444-4 (SHORTEST VERSION)
10POS. = 6-966444-0 (LONGEST VERSION)
- 2 HOUSING MATERIAL: PBT GREEN GLASS FILLED, UL 94V-0
CONTACT MATERIAL: PHOSPHOR BRONZE
- 3 FINISH: TRIBOR®
UNDERPLATING: 2.0-4.0 µm Ni-P(NICKEL-PHOSPHOROUS)
CONTACT AREA: 0.12-0.27 µm Au(GOLD)
SOLDER TYNES: 3.0-5.0 µm Sn(MATTE TIN)
- 4 MATES WITH 0.63 SQUARE/ROUND MODU POSTS
- 5 CONTACT POINT
- 6 RECOMMENDED PCB BOARD THICKNESS: 1.6mm
- 7 PC-BOARD RETENTION FEATURE
- 8 HV100 CONNECTOR PACKED IN ANTI-STATIC BLISTER TRAY
- 9. PERMEABILITY $\mu_R \leq 1.0005$

FOR MISSING DIMENSIONS SEE PN 215297

THIS DRAWING IS A CONTROLLED DOCUMENT.		DWN F.REICHARDT 17FEB1994			
		CHK M.SCHAARSCHMIDT 25DEC2013			
DIMENSIONS: mm		TOLERANCES UNLESS OTHERWISE SPECIFIED: ±0.15		NAME HV100 CONNECTOR ; VERTICAL ; 7.0mm TOP ENTRY; SINGLE ROW ; GOLD. NON MAGNETIC	
		0 PLC ± 1 PLC ± 2 PLC ± 3 PLC ± 4 PLC ± ANGLES ±		PRODUCT SPEC 108-19056	
MATERIAL		FINISH		APPLICATION SPEC -	
2		3		WEIGHT -	
CUSTOMER DRAWING			SIZE A3	CAGE CODE 00779	DRAWING NO C-966444
SCALE 5:1			SHEET 1 OF 1		RESTRICTED TO REV D

X-ON Electronics

Largest Supplier of Electrical and Electronic Components

Click to view similar products for [Headers & Wire Housings](#) category:

Click to view products by [TE Connectivity](#) manufacturer:

Other Similar products are found below :

[95000-104TRLF](#) [10135584-644402LF](#) [DF62W-EP2022PCA](#) [95000-106TRLF](#) [DF62W-2022SCA](#) [DF62W-EP2022PC](#) [2203348](#) [DF62W-2022SC](#) [1084018](#) [1029039](#) [1084017](#) [802-10-012-10-002000](#) [1112640](#) [1112639](#) [000-34000](#) [0009482033](#) [0009507031](#) [57102-S06-03LF](#) [57202-S52-04LF](#) [PCN6-15S-2.5E](#) [0039019024](#) [58102-G61-06LF](#) [582553-1](#) [0009508121](#) [0050291907](#) [018731A](#) [LY20-4P-DT1-P1E-BR](#) [02.125.8002.8](#) [60101931](#) [60598-1 \(Cut Strip\)](#) [M1625-3R/100](#) [61062-3](#) [61082-181009](#) [636-1427](#) [638009-1](#) [641938-9](#) [641991-4](#) [644168-1](#) [647662-1](#) [65039-019ELF](#) [65817-002LF](#) [65817-015LF](#) [65863-015LF](#) [66207-023LF](#) [67016-026LF](#) [67046-001LF](#) [67095-007LF](#) [68002-116](#) [68016-236H](#) [68648-049](#)