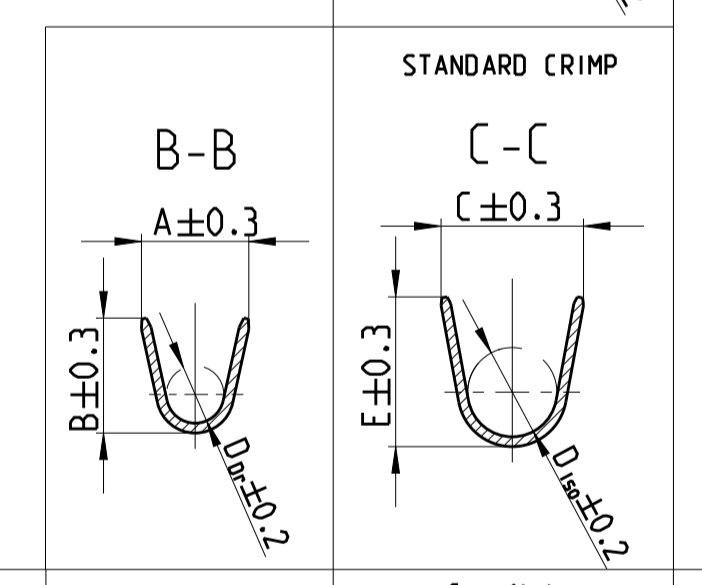
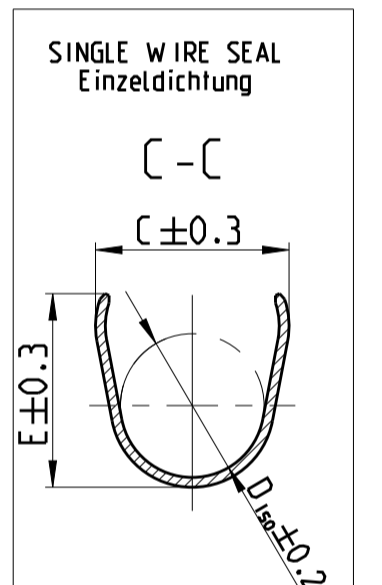
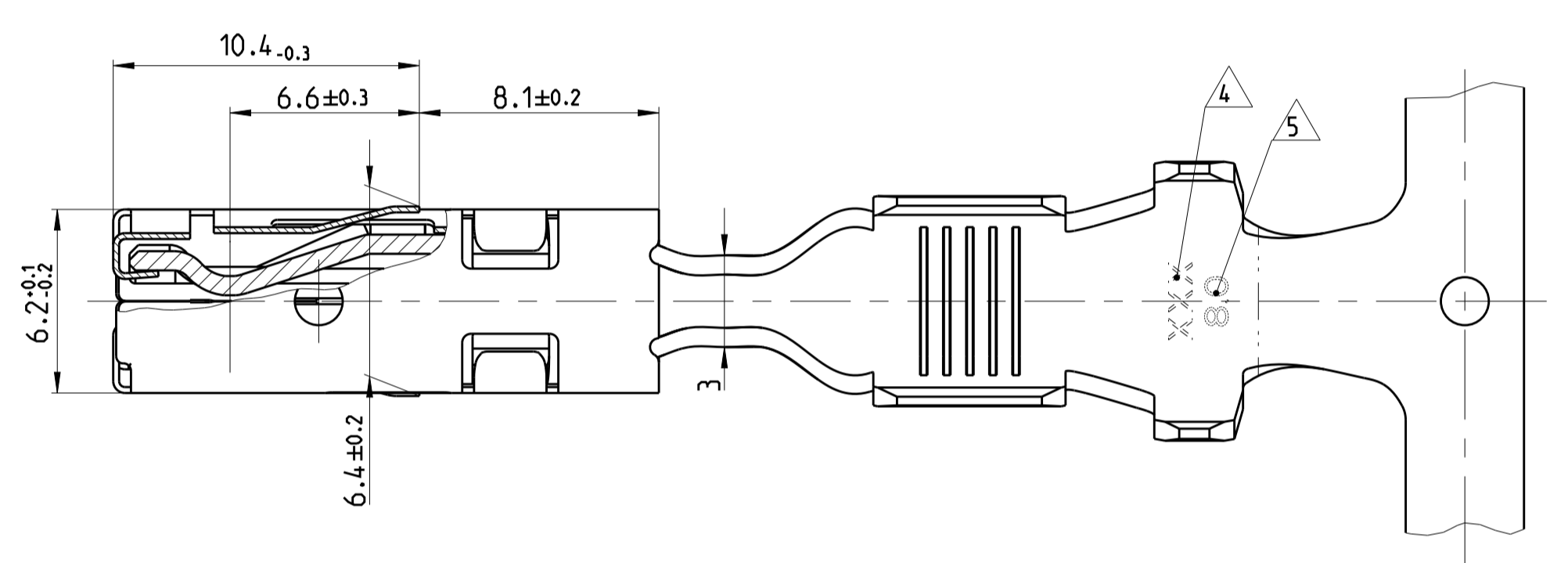
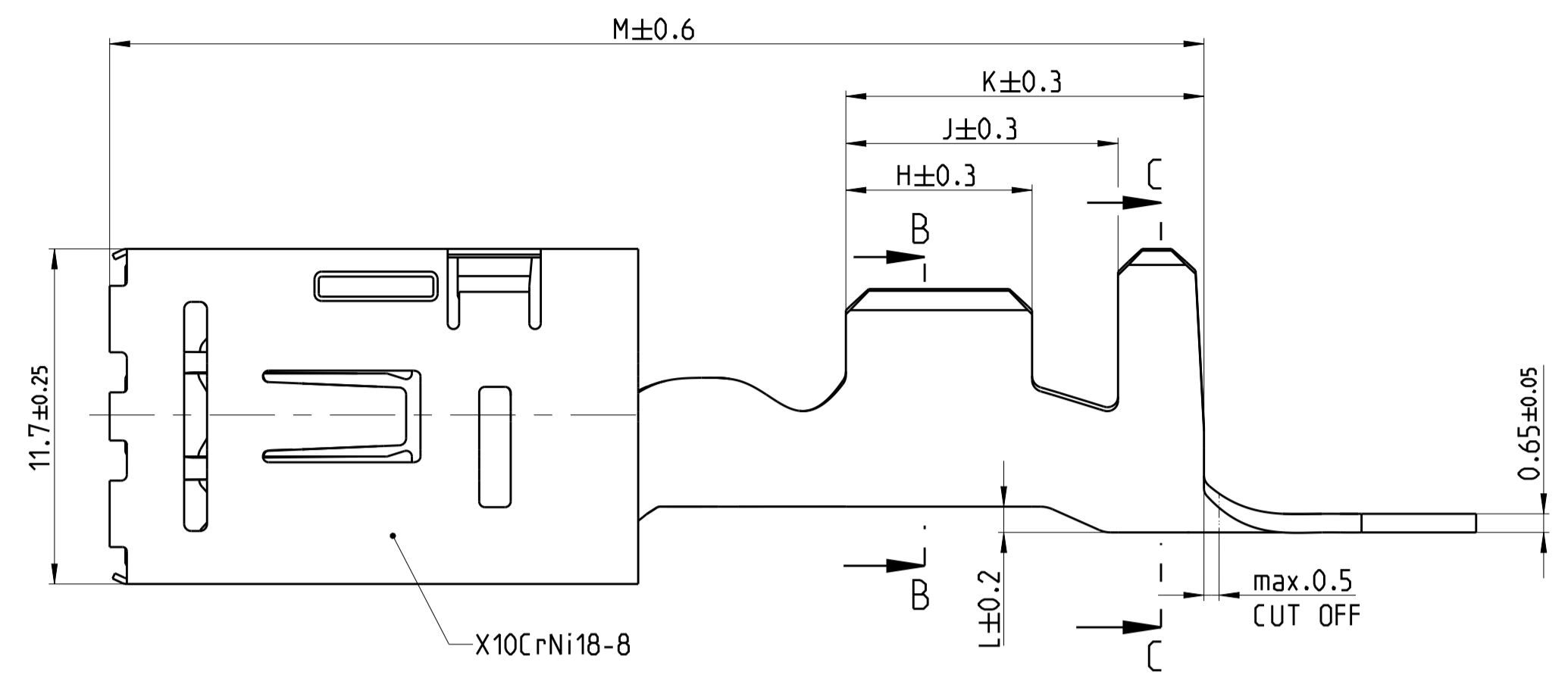
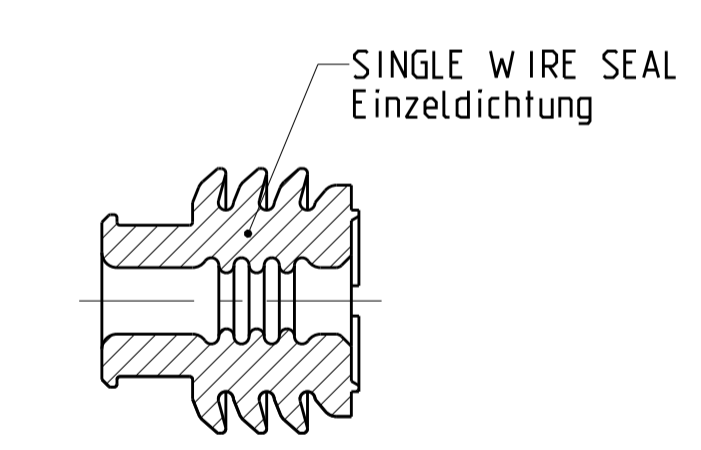
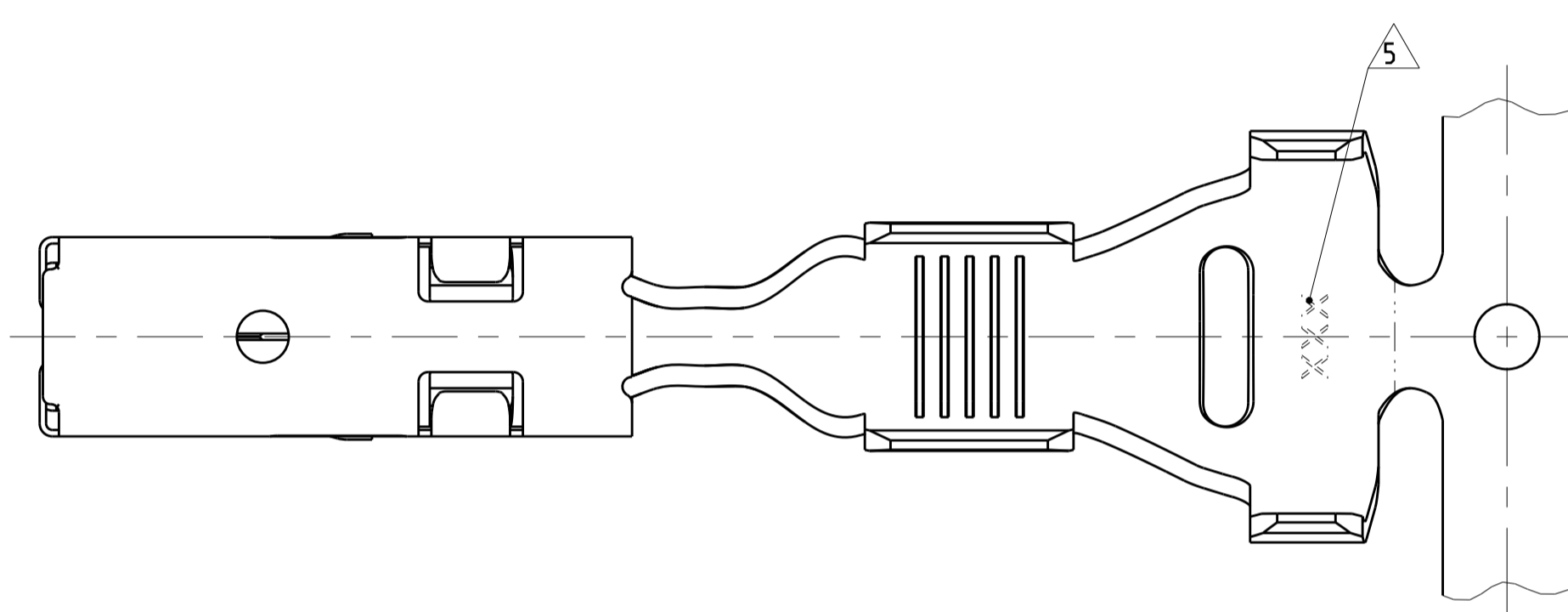
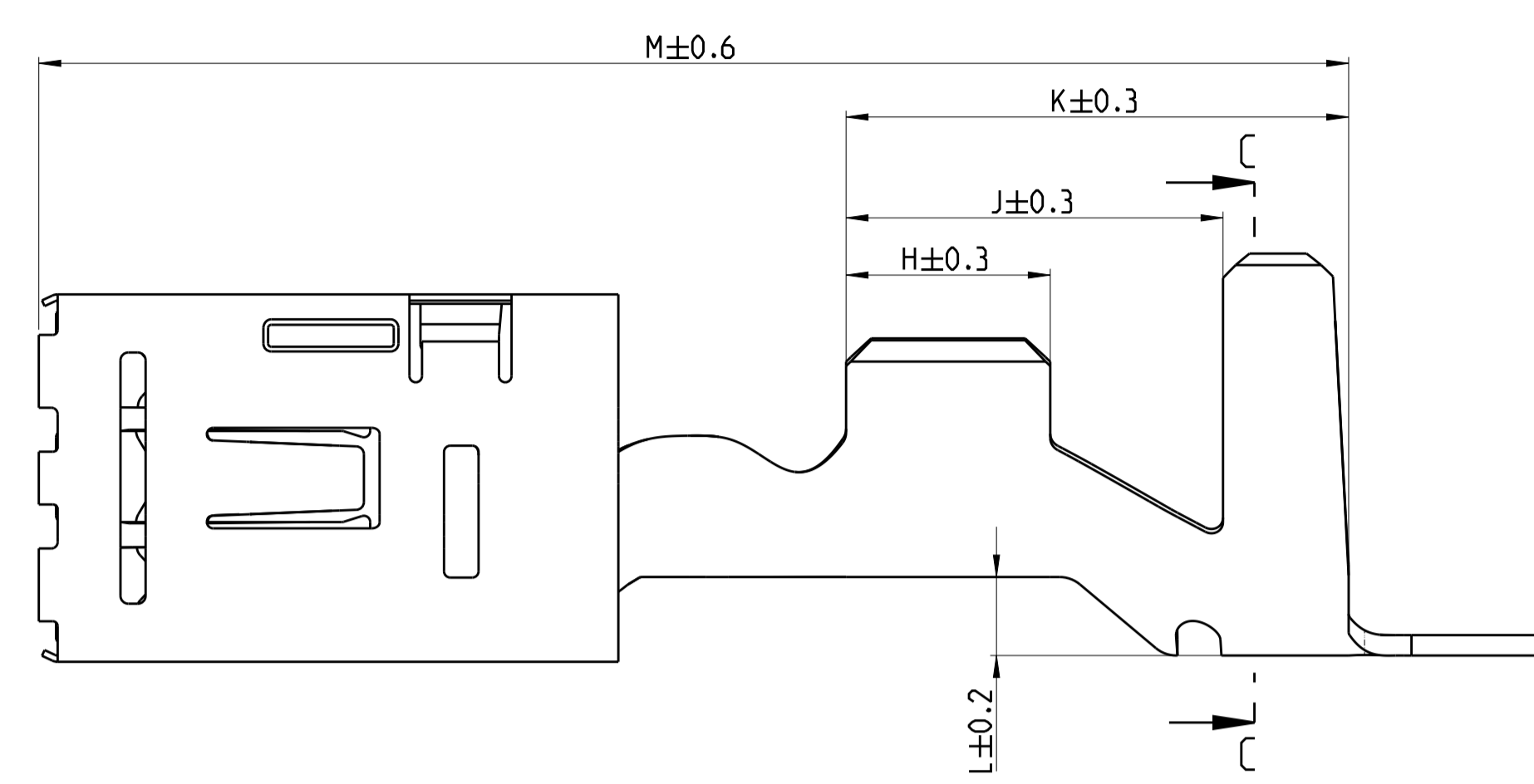


REVISONS		DATE	DWN	APVD
B5	DGB 6mm ² fuer 967590 ergaenzt / Zeichnung ueberarbeitet	22MAR2011	Pfeil	Goep
B6	PNs added. Drawing updated.	18JUL2014	Ho.	Mair
B7	Loose Piece corrected	18JUL2014	Ho.	Mair
B8	ECR-15-012070	13AUG2015	JB,JH	BK

STANDARD CRIMP Standardcrimp



SINGLE WIRE SEAL Einzeldichtungssystem



ORDER NO. Bestell-Nr.	WIRE SIZE RANGE Drahtgroessenbereich (mm ²)	COLOUR Farbe
1355437-3	16	CLARET RED Weinrot
1355437-2	10	SKY BLUE Himmelblau
1355437-1	6	CLARET VIOLET Bordeauxviolett

- 1 MATING PART SEE TE INTERFACE DRAWING: 114-18317
Gegenstecker nach TE Spezifikation: 114-18317
- 2 TO BE USED ON TAB THICKNESS 0.8±0.05
Geeignet fuer Flachsteckerdicke 0.8±0.05
- 3 TO BE USED ON TAB THICKNESS 1.2±0.05
Geeignet fuer Flachsteckerdicke 1.2±0.05
- 4 BRANDNAME AND REVISION STATUS
Herstellerlogo und Revisionsstand
- 5 IDENTIFICATION FOR 0.8mm VERSION
Kennzeichnung fuer 0.8mm Version

ORDER NO. Bestell-Nr.	REV.	TO BE USED ON TAB THICKNESS Geeignet fuer Flachsteckerdicke	WIRE SIZE RANGE Leiterquerschnitt (mm ²)	INSULATION DIA Isolationsø (mm)	MATERIAL Werkstoff	SURFACE Oberflaeche	LENGTH Laenge	WIRE CRIMP Drahtcrimp	INSUL. CRIMP Isol.-Crimp	VERSION Auslieferung
1-967591-1	B	3	> 10 - 16	7.1 - 7.7	CuNiSi	PRE TIN PLATED vorverzinkt 1 - 3 µm	H = 8.5 J = 13.5 K = 17.0 M = 42.5	A = 8.7 B = 9.1 D ₁₀₀ = 5.1	C = 14.4 E = 13.2 D ₁₀₀ = 10.5 L = 2.7	SINGLE WIRE SEAL Einzeldichtung
1-967590-2	B	3	6 - 10	4.6 - 6.4	CuNiSi	SILVER PLATED versilbert 3-5µm (only contact area)	H = 6.5 J = 12.0 K = 16.0 M = 41.7	A = 7.1 B = 7.6 D ₁₀₀ = 3.8	C = 12.8 E = 12.8 D ₁₀₀ = 9.5 L = 2.5	STANDARD CRIMP Standardcrimp
1-967590-1	B	3				PRE TIN PLATED vorverzinkt 1 - 3 µm	H = 9.5 J = 12.5 K = 16.0 M = 41.7	A = 9.1 B = 9.5 D ₁₀₀ = 5.3	C = 12.1 E = 11.7 D ₁₀₀ = 7.6 L = 0.9	
1-2177217-1	A	2	> 10 - 16	7.1 - 7.7	CuNiSi	PRE TIN PLATED vorverzinkt 1 - 3 µm	H = 9.5 J = 12.5 K = 16.0 M = 41.7	A = 9.1 B = 9.5 D ₁₀₀ = 5.3	C = 12.1 E = 11.7 D ₁₀₀ = 7.6 L = 0.9	STANDARD CRIMP Standardcrimp
1-967589-2	B	3				SILVER PLATED versilbert 3-5µm (only contact area)	H = 9.5 J = 12.5 K = 16.0 M = 41.7	A = 8.7 B = 9.1 D ₁₀₀ = 5.1	C = 11.6 E = 11.9 D ₁₀₀ = 7.1 L = 1.0	
1-967589-1	B	3				PRE TIN PLATED vorverzinkt 1 - 3 µm	H = 6.5 J = 9.5 K = 12.5 M = 38.2	A = 7.1 B = 7.6 D ₁₀₀ = 3.8	C = 9.3 E = 9.9 D ₁₀₀ = 5.9 L = 0.9	
1-967588-2	B	3				SILVER PLATED versilbert 3-5µm (only contact area)	H = 6.5 J = 9.5 K = 12.5 M = 38.2	A = 7.1 B = 7.6 D ₁₀₀ = 3.8	C = 9.3 E = 9.9 D ₁₀₀ = 5.9 L = 0.9	
1-967588-1	B	3	6 - 10	4.6 - 6.4	CuNiSi	PRE TIN PLATED vorverzinkt 1 - 3 µm	H = 6.5 J = 9.5 K = 12.5 M = 38.2	A = 7.1 B = 7.6 D ₁₀₀ = 3.8	C = 9.3 E = 9.9 D ₁₀₀ = 5.9 L = 0.9	STANDARD CRIMP Standardcrimp
1-1241930-1	A	2				PRE TIN PLATED vorverzinkt 1 - 3 µm	H = 6.5 J = 9.5 K = 12.5 M = 38.2	A = 7.1 B = 7.6 D ₁₀₀ = 3.8	C = 9.3 E = 9.9 D ₁₀₀ = 5.9 L = 0.9	
1-1719386-1	B	2	3 - 6	4.0 - 5.1	CuNiSi	PRE TIN PLATED vorverzinkt 1 - 3 µm	H = 5.5 J = 7.8 K = 10.1 M = 38.2	A = 5.8 B = 6.1 D ₁₀₀ = 2.9	C = 7.8 E = 8.0 D ₁₀₀ = 4.6 L = 0.6	STANDARD CRIMP Standardcrimp

THIS DRAWING IS A CONTROLLED DOCUMENT. DWN: H.Keil, 020CT2000, CHK: G.v.d.Burg, 020CT2000, APVD: J.W.oller, 020CT2000

TE TE Connectivity

PRODUCT GROUP DRAWING FOR AMP MCP 9.5
Tabellenzeichnung fuer AMP MCP 9.5

SCALE: 2:1 SHEET 1 OF 1 REV B8

X-ON Electronics

Largest Supplier of Electrical and Electronic Components

Click to view similar products for [Automotive Connectors](#) category:

Click to view products by [TE Connectivity](#) manufacturer:

Other Similar products are found below :

[003-018-000](#) [60403001](#) [60993906-B](#) [M902-2131](#) [M902-2161](#) [M902-2344](#) [72.330.1035.1](#) [73.353.4028.0](#) [F119300-B](#) [F166900](#) [F258300-B](#)
[F358300-B](#) [F407400](#) [F444110](#) [F487000](#) [F509500B-B](#) [827153-1](#) [8N1515-32-24P](#) [9-1326729-8](#) [925474-1](#) [928905-1](#) [964562-4](#) [968782-1](#)
[GT17SA-8DS-HU](#) [98891-1012](#) [98947-1016](#) [12004147](#) [12004475-L](#) [12010290](#) [12010309-B](#) [12015454](#) [12020219-B](#) [12041318-B](#) [12052225-](#)
[L](#) [12052466](#) [12064869](#) [12004327-B](#) [12015308](#) [12015384](#) [12015909](#) [1-21030-1](#) [12041254](#) [12041318](#) [12047946-B](#) [12047957](#) [12047957-L](#)
[12059473](#) [12066261](#) [12110546](#) [12110546-B](#)