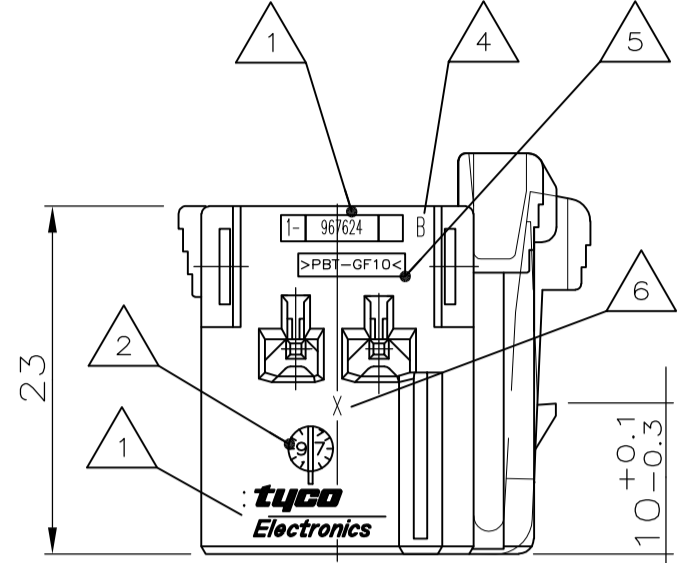
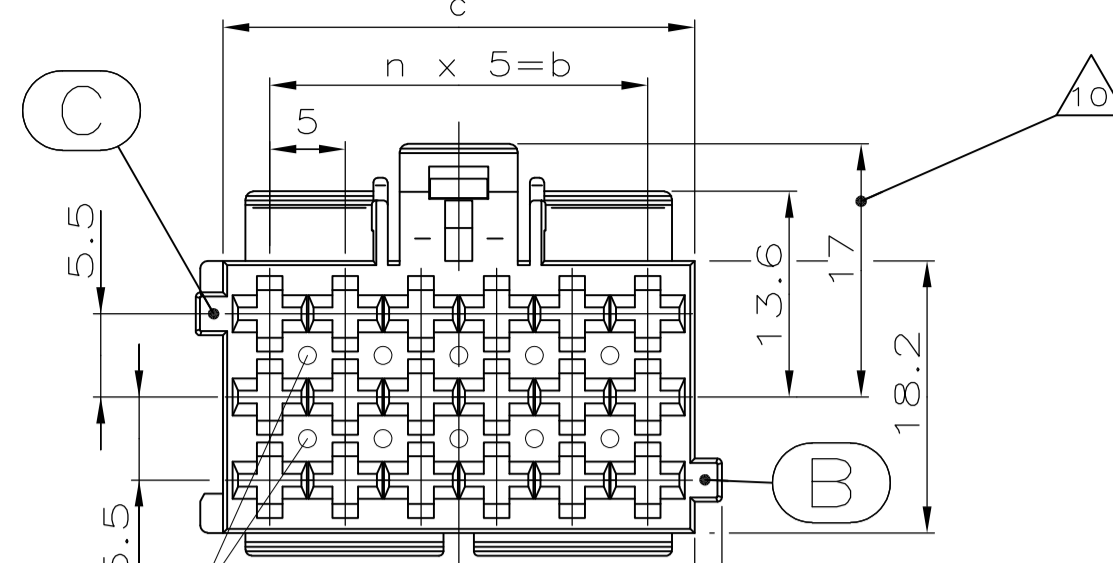
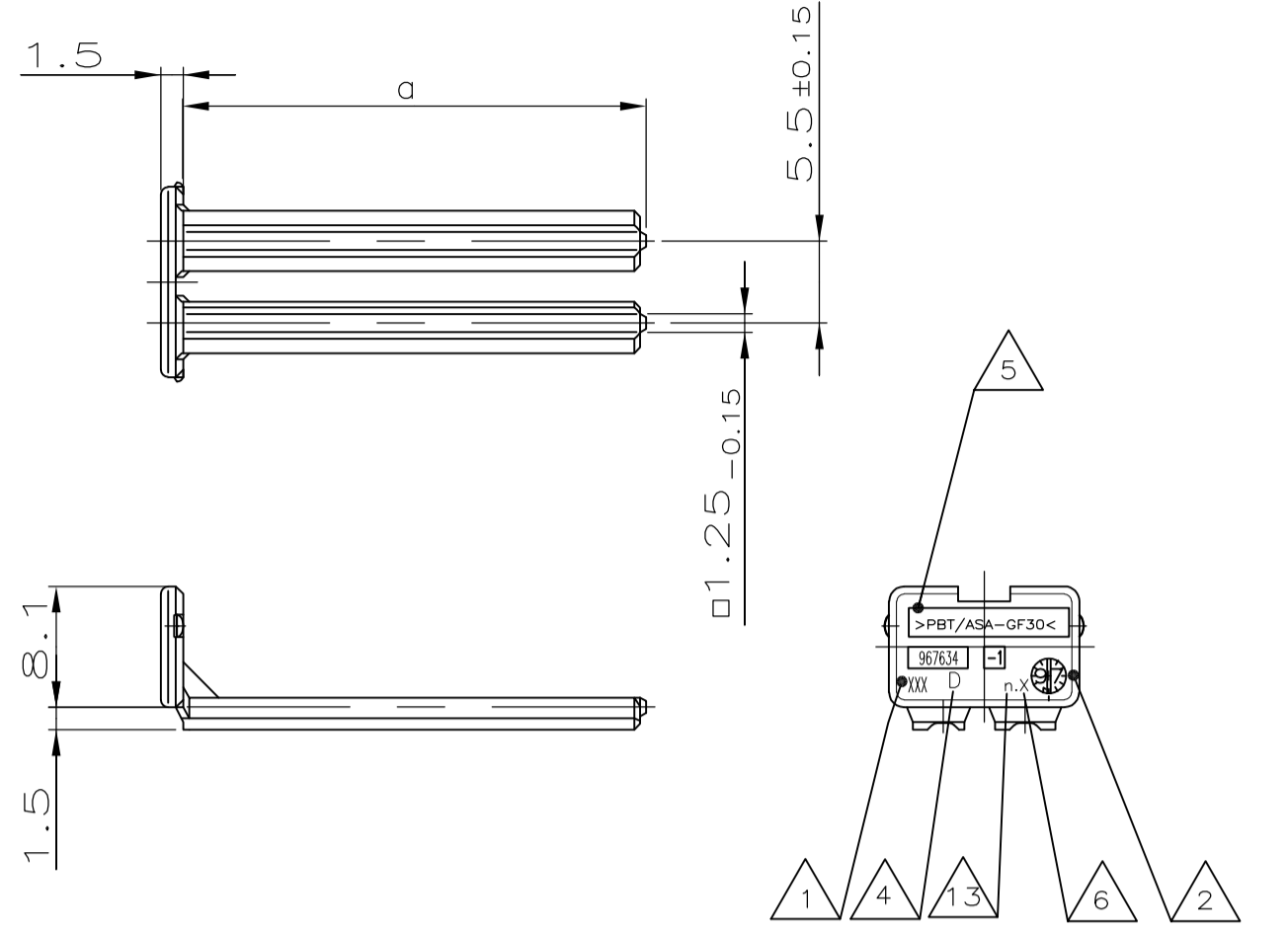


WAS 116-1-8025-001



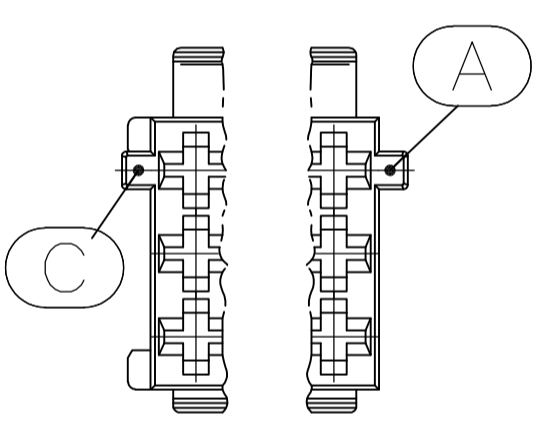
	10.1g	6	30	36.2	21	36	0.7g
	9.1g	5	25	31.2	18	31	0.65g
	7.6g	4	20	26.2	15	26	0.55g
	6.5g	3	15	21.2	12	21	0.5g
	5.1g	2	10	16.2	9	16	0.4g
	3.9g	1	5	11.2	6	11	0.35g



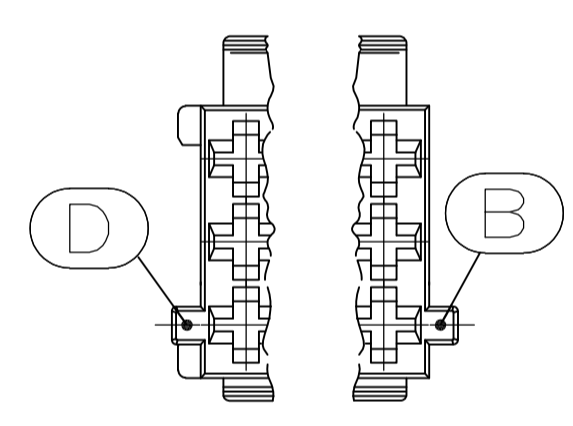
1-967624-...,
 MECHAN. CODING A
 mechanische Kodierung
 (RIBS B-C) AS SHOWN
 (Rippen B-C) wie gezeichnet

- NOTES:
 Bemerkungen:
- TE CONNECTIVITY RESP. AMP LOGO, SINGLE PART No. 9
 TE CONNECTIVITY bzw. AMP-Logo, Bestell-Nr. Einzelteil
 - PRODUCTION-DATE
 Produktionsdatum
 - CAVITY-MARKING
 Kammerbezeichnung
 - THE REVISION STATUS OF THE MOULD
 Änderungsstand des Werkzeuges
 - MATERIAL-MARKING ACC. TO VDA 260
 Werkstoffkennzeichnung nach VDA 260
 - MOLD CAVITY-MARKING
 Nestmarkierung
 - WARPAGE TO 11.3mm PERMITTED
 Verzug bis 11.3mm zulässig

- DIMENSION RESP. WEIGHT OF SECONDARY LOCKING DEVICE
 Mass bzw. Gewicht der zweiten Kontaktsicherung
- PACKAGING: LOOSE PIECE IN CORRUGATED BOX FOR BOTH PARTS
 Verpackung: Beide Teile werden lose im Karton geliefert
- WARPAGE TO 16mm PERMITTED
 Verzug bis 16mm zulässig
- CAVITIES MATING WITH JUNIOR POWER TIMER CONTACT (WITHOUT SINGLE WIRE SEAL)
 MAX. WIRE SIZE 2.5mm² FLR - SEE DRAWING:
 Kontaktkammern passend fuer Junior Power Timer Kontakt (ohne Einzel-Dichtungs-System)
 max. Drahtgrossenbereich 2.5mm² FLR - siehe Zeichnung:
 TE CONNECTIVITY-No.: 1355046
- MATING WITH:
 passend zu:
 SEE DRAWINGS / s. Zeichnungen:
 - 1355072 (TAB HOUSINGS / Flachsteckergehaeuse)
 - 966140 (TAB HEADER / Messerleisten)
 - 114-18085-025 (INTERFACE DRAWING / Ausf.vorschrift)
- TOOL-NUMBERING
 Werkzeugnummerierung



2-...,
 MECHAN. CODING B
 mechanische Kodierung
 (RIBS A-C) AS SHOWN
 (Rippen A-C) wie gezeichnet



3-...,
 MECHAN. CODING C
 mechanische Kodierung
 (RIBS B-D) AS SHOWN
 (Rippen B-D) wie gezeichnet

CODING / Kodierung C		CODING / Kodierung B		CODING / Kodierung A																MECHANICAL CODING:														
RIBS/Rippen: B-D		RIBS/Rippen: A-C		RIBS / Rippen: B-C																mechanische Kodierung:														
967635-1	D 2	CLAY BROWN	-	-	-	1-967625-6	C	GENTIAN BLUE	-	1-967625-5	C	RAPE YELLOW	-	1-967625-4	C	YELLOW GREEN	-	1-967625-3	C	TRAFFIC PURPLE	-	1-967625-2	C	SLATE GREY	-	1-967625-1	C	CLAY BROWN	-	1	2	pos.		
967634-1	D 2	SLATE GREY	3-967624-6	CLAY BROWN	2-967624-6	CLAY BROWN	1-967624-6	CLAY BROWN	1-967624-5	GENTIAN BLUE	1-967624-4	RAPE YELLOW	1-967624-3	YELLOW GREEN	1-967624-2	TRAFFIC PURPLE	1-967624-1	SLATE GREY	1-967624-1	CLAY BROWN	1-967624-1	CLAY BROWN	1-967624-1	CLAY BROWN	1-967624-1	CLAY BROWN	1-967624-1	CLAY BROWN	1-967624-1	1	18	pos.		
967633-1	D 2	TRAFFIC PURPLE	-	-	2-967623-3	CLAY BROWN	1-967623-6	CLAY BROWN	1-967623-5	GENTIAN BLUE	1-967623-4	RAPE YELLOW	1-967623-3	YELLOW GREEN	1-967623-2	TRAFFIC PURPLE	1-967623-1	SLATE GREY	1-967623-1	CLAY BROWN	1-967623-1	CLAY BROWN	1-967623-1	CLAY BROWN	1-967623-1	CLAY BROWN	1-967623-1	CLAY BROWN	1-967623-1	1	15	pos.		
967632-1	D 2	YELLOW GREEN	-	-	-	1-967622-6	C	TRAFFIC PURPLE	-	1-967622-5	C	SLATE GREY	-	1-967622-4	C	CLAY BROWN	-	1-967622-3	C	GENTIAN BLUE	-	1-967622-2	C	RAPE YELLOW	-	1-967622-1	C	YELLOW GREEN	-	1	12	pos.		
967631-1	D 2	RAPE YELLOW	-	-	-	1-967621-6	C	YELLOW GREEN	-	1-967621-5	C	TRAFFIC PURPLE	-	1-967621-4	C	SLATE GREY	-	1-967621-3	C	CLAY BROWN	-	1-967621-2	C	GENTIAN BLUE	-	1-967621-1	C	RAPE YELLOW	-	1	10	pos.		
968271-1	D 2	GENTIAN BLUE	-	-	-	1-965640-7	C	FLAME RED	-	1-965640-6	C	RAPE YELLOW	-	1-965640-5	C	YELLOW GREEN	-	1-965640-4	C	TRAFFIC PURPLE	-	1-965640-3	C	SLATE GREY	-	1-965640-2	C	CLAY BROWN	-	1	6	pos.		
CUSTOMER PART NUMBER	ORDER-NO.	COLOR	CUSTOMER PART NUMBER	ORDER-NO.	COLOR	CUSTOMER PART NUMBER	ORDER-NO.	COLOR	CUSTOMER PART NUMBER	ORDER-NO.	COLOR	CUSTOMER PART NUMBER	ORDER-NO.	COLOR	CUSTOMER PART NUMBER	ORDER-NO.	COLOR	CUSTOMER PART NUMBER	ORDER-NO.	COLOR	CUSTOMER PART NUMBER	ORDER-NO.	COLOR	CUSTOMER PART NUMBER	ORDER-NO.	COLOR	CUSTOMER PART NUMBER	ORDER-NO.	COLOR	CUSTOMER PART NUMBER	ORDER-NO.	COLOR	DESCRIPTION	MATERIAL

SECONDARY LOCKING DEVICE
 zweite Kontaktsicherung

JUNIOR POWER TIMER HOUSING / Junior Power Timer Gehäuse

THIS DRAWING IS A CONTROLLED DOCUMENT.
 DIESE ZEICHNUNG IST EIN KONTROLLIERTES DOKUMENT.

DIMENSIONS: mm
 MASSSTÄBE: mm

OTHERS UNLESS SPECIFIED: ALGEMEINTOLERANZEN: 0.15 (0.006) - 0.30 (0.012) - 0.50 (0.020) - 1.00 (0.040) - 1.50 (0.060) - 2.00 (0.080) - 3.00 (0.120) - 4.00 (0.160) - 6.00 (0.240) - 8.00 (0.315) - 10.00 (0.394) - 15.00 (0.591) - 20.00 (0.787) - 30.00 (1.181) - 40.00 (1.575) - 50.00 (1.969) - 60.00 (2.362) - 80.00 (3.150) - 100.00 (3.937) - 120.00 (4.724) - 150.00 (5.906) - 200.00 (7.874) - 250.00 (9.843) - 300.00 (11.811) - 400.00 (15.748) - 500.00 (19.685) - 600.00 (23.622) - 800.00 (31.500) - 1000.00 (39.370)

MATERIAL: SEE TABLE
 FINISH/OBERFLÄCHE/FARBE: SEE TABLE

WEIGHT/GEWICHT: -
 SCALE/MASSSTAB: 2:1

DIN K. Gerlach 14.APR.98
 CJK R. Huebner 14.APR.98
 APVD J. Hoss 14.APR.98

NAME: PRODUCT GROUP DRAWING FOR: JUNIOR POWER TIMER HSG. 6-21 POS. AND SECONDARY LOCKING DEVICE
 PRODUKT-SPEZ: Produkt-Gruppen-Zeichnung fuer: JPT-Gehäuse, 6-21polig und zweite Kontaktsicherung

SIZE: A1
 CASE CODE: 00779
 DRAWING NO.: 1355071
 ZICHUNGS-NR. (ERPLACES 116-18025-001)

RESTRICTED TO: -
 SHEET 1 OF 1
 REV 01

X-ON Electronics

Largest Supplier of Electrical and Electronic Components

Click to view similar products for [Automotive Connectors](#) category:

Click to view products by [TE Connectivity](#) manufacturer:

Other Similar products are found below :

[003-018-000](#) [60403001](#) [60993906-B](#) [M902-2131](#) [M902-2161](#) [M902-2344](#) [72.330.1035.1](#) [73.353.4028.0](#) [F119300-B](#) [F166900](#) [F258300-B](#)
[F358300-B](#) [F407400](#) [F444110](#) [F487000](#) [F509500B-B](#) [827153-1](#) [8N1515-32-24P](#) [9-1326729-8](#) [925474-1](#) [928905-1](#) [964562-4](#) [968782-1](#)
[GT17SA-8DS-HU](#) [98891-1012](#) [98947-1016](#) [12004147](#) [12004475-L](#) [12010290](#) [12010309-B](#) [12015454](#) [12020219-B](#) [12041318-B](#) [12052225-](#)
[L](#) [12052466](#) [12064869](#) [12004327-B](#) [12015308](#) [12015384](#) [12015909](#) [1-21030-1](#) [12041254](#) [12041318](#) [12047946-B](#) [12047957](#) [12047957-L](#)
[12059473](#) [12066261](#) [12110546](#) [12110546-B](#)