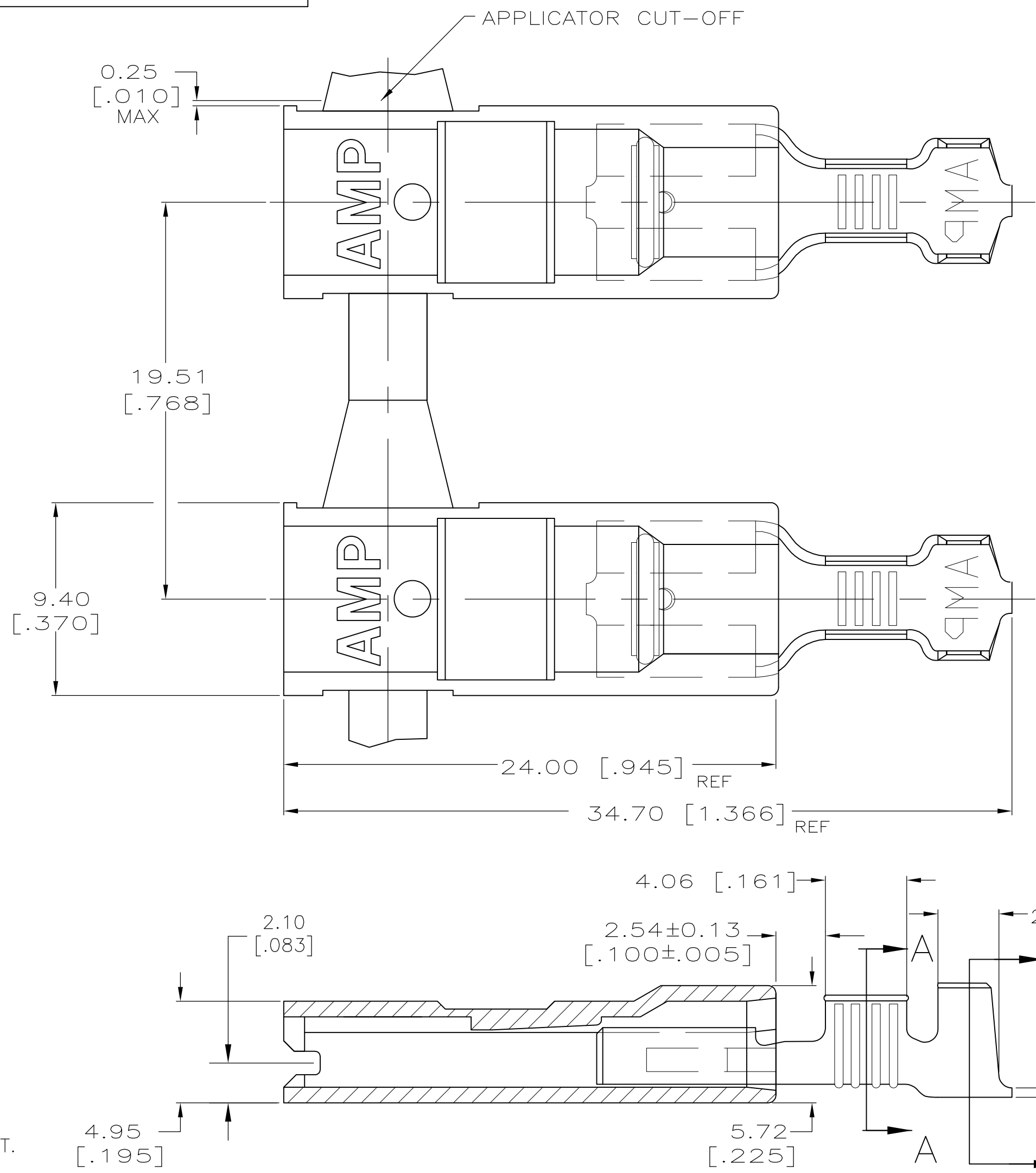


THIS DRAWING IS UNPUBLISHED. RELEASED FOR PUBLICATION  
 © COPYRIGHT BY TYCO ELECTRONICS CORPORATION. ALL RIGHTS RESERVED.

| LOC | DIST | REVISIONS |     |                           |         |     |      |
|-----|------|-----------|-----|---------------------------|---------|-----|------|
| AF  | 50   | P         | LTR | DESCRIPTION               | DATE    | DWN | APVD |
|     |      | A2        |     | REVISED PER ECR-07-020463 | 28AUG07 | HMR | GP   |



- 1 BUDGET FASTON TERMINALS, BASE P/N 63884, ARE USED IN THIS PRODUCT.
- 2 WIRE SIZE 0.8-2.0mm [18-14] AWG
- 3 INSULATION RANGE IS 2.79-4.32 [.110-.170] DIA.
- 4 MATING TAB THK IS 0.813±0.025 [.032±.001].
- 5 PRELIMINARY - NOT FOR PRODUCTION.
- 6 GLOW WIRE APPROVED; CONTACT TE ENGINEERING FOR SPECIFICATION (ALL WALL THICKNESSES ARE BETWEEN 0.4-3.0[.015-.118])

|           |  |   |             |
|-----------|--|---|-------------|
| STANDARD  | MATERIAL: 4M BRASS<br>FINISH: 0.002032 [.000080] MIN TIN | MATERIAL: V2, NYLON<br>COLOR: NATURAL (WHITE) | 5 1969104-2 |
| STANDARD  | MATERIAL: 4M BRASS<br>FINISH: PLAIN                      | MATERIAL: V2, NYLON<br>COLOR: NATURAL (WHITE) | 6 1969104-1 |
| PACKAGING | TERMINAL   | HOUSING                                       | PART NO.    |

|  |  |   |   |  |
|--|--|---|---|--|
| THIS DRAWING IS A CONTROLLED DOCUMENT. |  | DWN RAGHAVENDRA 03APR2007               | Tyco Electronics Corporation<br>Harrisburg, PA 17105-3608 |  |
| DIMENSIONS: INCHES                     |  | CHK G PORTA 03APR2007                   | NAME  |  |
| TOLERANCES UNLESS OTHERWISE SPECIFIED: |  | APVD G PORTA 03APR2007                  | PRODUCT SPEC  |  |
| 0 PLC ± -                              |  | 108-1285                                |   |  |
| 1 PLC ± -                              |  | APPLICATION SPEC                        |   |  |
| 2 PLC ± -                              |  | 114-2124                                |   |  |
| 3 PLC ± 0.25 [.010]                    |  | SIZE CAGE CODE DRAWING NO RESTRICTED TO |   |  |
| 4 PLC ± -                              |  | A2 00779 C=1969104                      |   |  |
| ANGLES ± -                             |  | WEIGHT -                                |   |  |
| FINISH                                 |  | SCALE 5:1 SHEET 1 of 1 REV A2           |   |  |
| SEE TABLE                              |  | CUSTOMER DRAWING                        |   |  |

## X-ON Electronics

Largest Supplier of Electrical and Electronic Components

*Click to view similar products for [Terminals](#) category:*

*Click to view products by [TE Connectivity](#) manufacturer:*

Other Similar products are found below :

[00-054007-01074-6](#) [00-054007-70206-1](#) [00-054007-70210-8](#) [00-054007-70217-7](#) [00-054007-70226-9](#) [00-054007-70228-3](#) [00-054007-70248-1](#) [00-054007-70256-6](#) [00-054007-70301-3](#) [00-054007-70316-7](#) [0-0320562-0](#) [00-054007-49560-4](#) [00-054007-70209-2](#) [00-054007-70225-2](#) [00-054007-70227-6](#) [00-054007-70231-3](#) [00-054007-70241-2](#) [00-054007-70242-9](#) [00-054007-70244-3](#) [00-054007-70246-7](#) [00-054007-70263-4](#) [00-054007-70288-7](#) [00-054007-70290-0](#) [00-054007-70300-6](#) [00-054007-70304-4](#) [01-2065-1-0216](#) [01-2900-1-04412](#) [00581P0075](#) [600TS-10](#) [60205-1](#) [604200-1](#) [605601-1](#) [60598-1-CUT-TAPE](#) [61314-6-C](#) [61810-3](#) [61-S](#) [61-SN](#) [626-0194](#) [62-NBM-A](#) [62-SN](#) [62-SP](#) [63-S](#) [640179-1](#) [M55155/059I03](#) [M55155/079C01](#) [M55155/099H02](#) [M55155/109H01](#) [M55155/109H02](#) [M55155/12XH05](#) [M55155/16XH02](#)