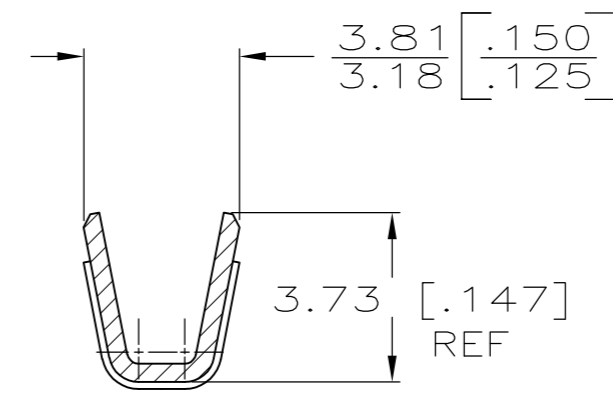
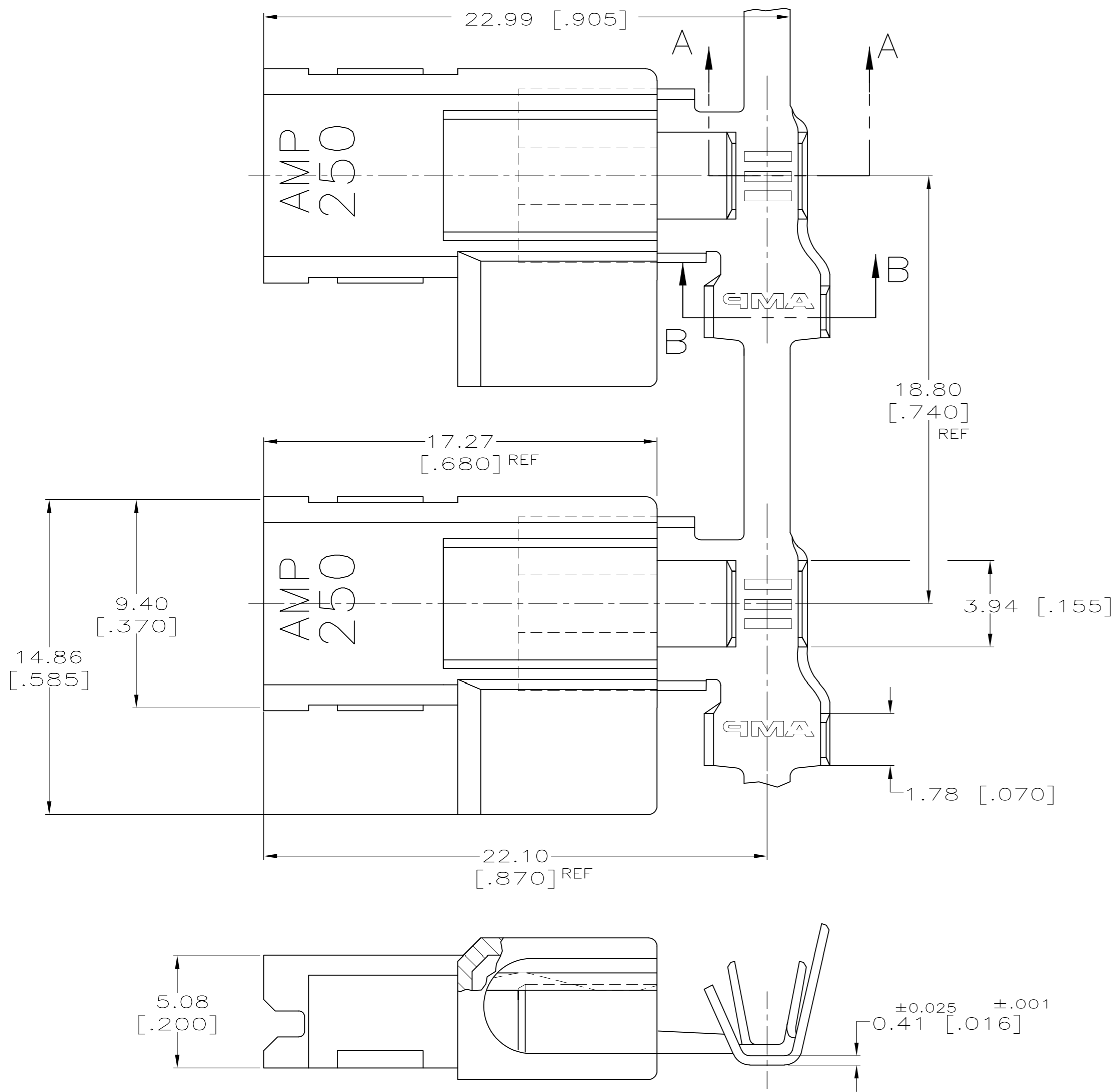


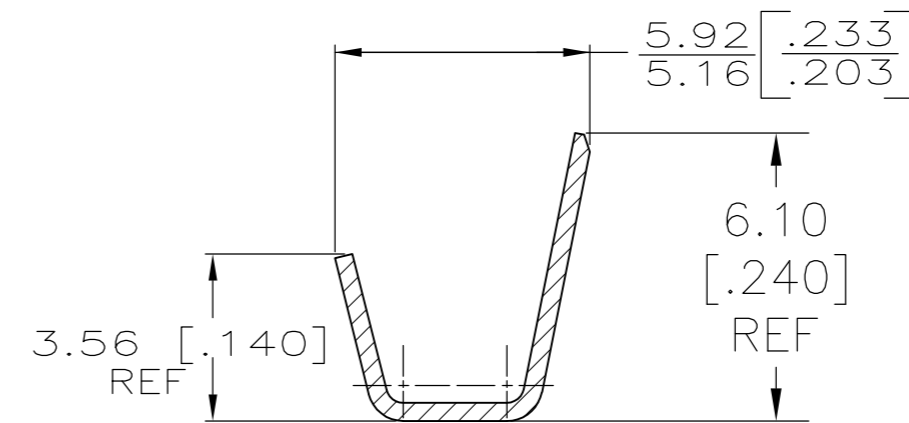
THIS DRAWING IS UNPUBLISHED. RELEASED FOR PUBLICATION
 © COPYRIGHT - By - ALL RIGHTS RESERVED.

LOC	DIST	REVISIONS			
P	LTR	DESCRIPTION	DATE	DWN	APVD
AF	50	A4	REVISED PER ECR-12-013219	08JAN13	KH KR

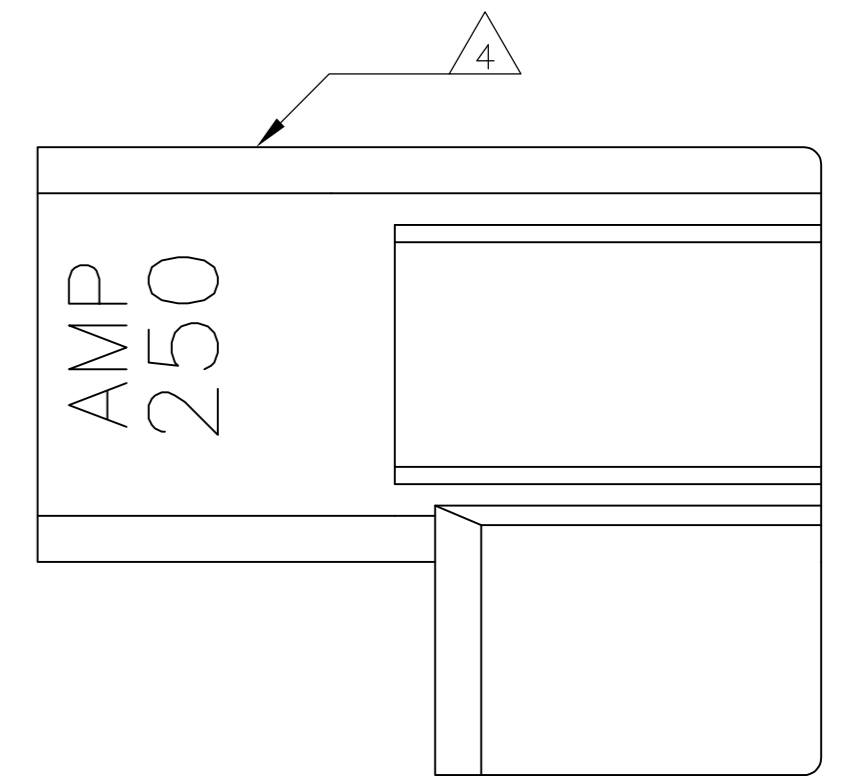
- 1 BUDGET FLAG FASTON TERMINALS, BASE P/N 63559, ARE USED IN THIS PRODUCT.
- 2 WIRE SIZE [#18-#14] AWG.
- 3 INSULATION RANGE IS 2.79-4.06 [.110-.160] DIA.
- 4 ALTERNATIVE HOUSING FORM
- 5 PRE-PRODUCTION - FASR REQUIRED.
- 6 GLOW WIRE APPROVED; CONTACT TE ENGINEERING FOR SPECIFICATION (ALL WALL THICKNESSES ARE BETWEEN 0.4-3.0 [.015-.118])



SECTION A-A



SECTION B-B



STANDARD	V2 NYLON/NATURAL (WHITE) V2 NYLON/NATURAL (WHITE)	TIN PLATE - BRASS PLAIN - BRASS	1969109-2 1969109-1
PACKAGING	HOUSING MATERIAL / COLOR	TERMINAL FINISH - MATERIAL	PART NO
THIS DRAWING IS A CONTROLLED DOCUMENT.		DWN 05APR2007 RAGHAVENDRA H M CHK 05APR2007 G D PORTA APVD 05APR2007 G D PORTA	TE Connectivity
DIMENSIONS: mm [INCHES]	TOLERANCES UNLESS OTHERWISE SPECIFIED: 0 PLC ± - 1 PLC ± - 2 PLC ± - 3 PLC ± 0.25 [.010] 4 PLC ± - ANGLES ± - FINISH	PRODUCT SPEC 108-1285 APPLICATION SPEC 114-2124	NAME ASSEMBLY, RECEPTACLE, FLAG, ULTRA-POD, 6.35 [.250] SERIES
MATERIAL SEE TABLE	FINISH SEE TABLE	WEIGHT -	SIZE A2
CUSTOMER DRAWING		SCALE 6:1	SHEET 1 OF 1
		DRAWING NO C=1969109	RESTRICTED TO -
		CAGE CODE 00779	REV A4

X-ON Electronics

Largest Supplier of Electrical and Electronic Components

Click to view similar products for [Automotive Connectors](#) category:

Click to view products by [TE Connectivity](#) manufacturer:

Other Similar products are found below :

[003-018-000](#) [60403001](#) [60993906-B](#) [M902-2131](#) [M902-2161](#) [M902-2344](#) [72.330.1035.1](#) [73.353.4028.0](#) [F119300-B](#) [F166900](#) [F258300-B](#)
[F358300-B](#) [F407400](#) [F444110](#) [F487000](#) [F509500B-B](#) [827153-1](#) [8N1515-32-24P](#) [9-1326729-8](#) [925474-1](#) [928905-1](#) [964562-4](#) [968782-1](#)
[GT17SA-8DS-HU](#) [98891-1012](#) [98947-1016](#) [12004147](#) [12004475-L](#) [12010290](#) [12015454](#) [12020219-B](#) [12041318-B](#) [12052225-L](#) [12052466](#)
[12064869](#) [12004327-B](#) [12015308](#) [12015384](#) [12015909](#) [1-21030-1](#) [12041254](#) [12041318](#) [12047946-B](#) [12047957](#) [12047957-L](#) [12059473](#)
[12066261](#) [12110546](#) [12110546-B](#) [12131792](#)