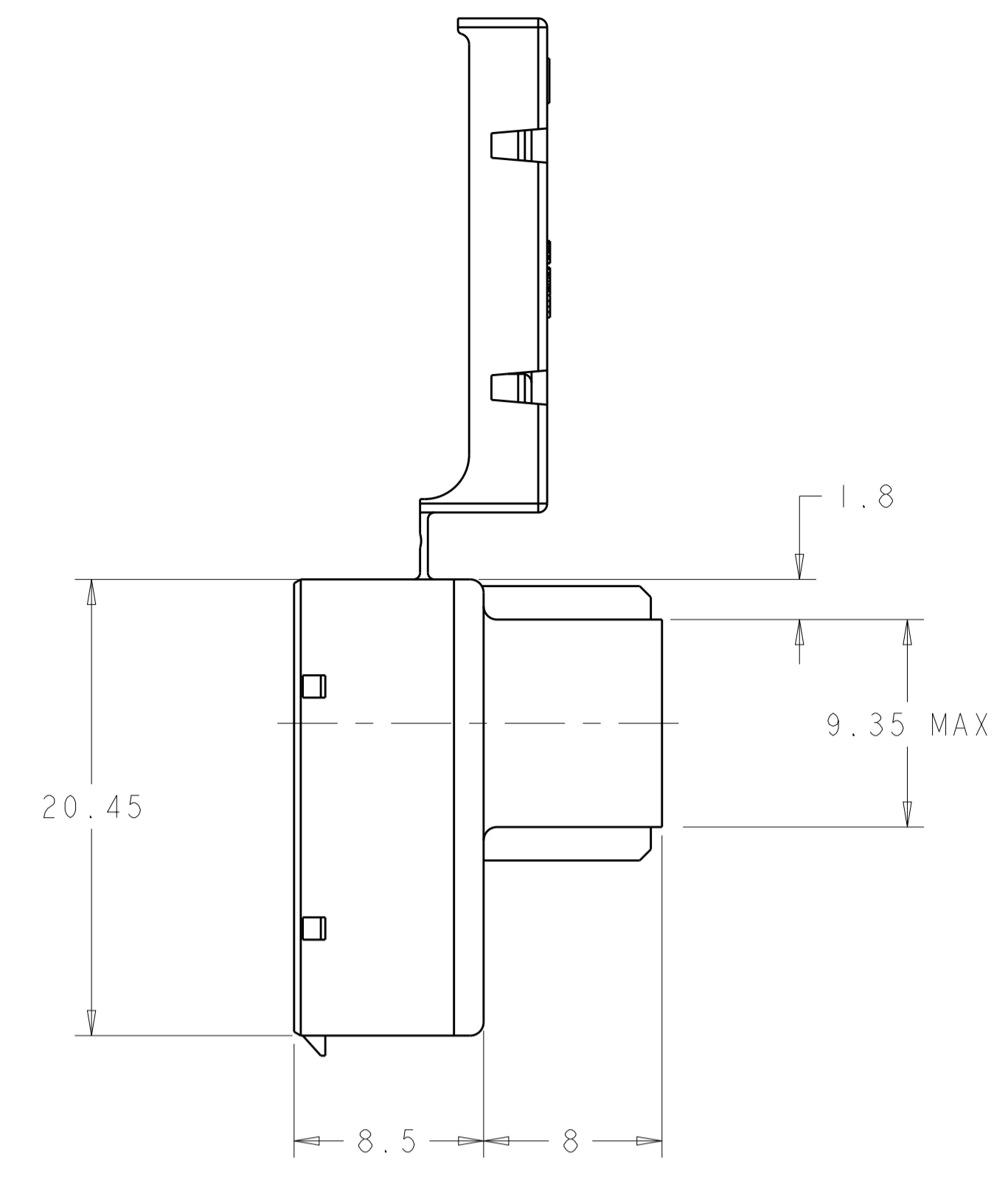
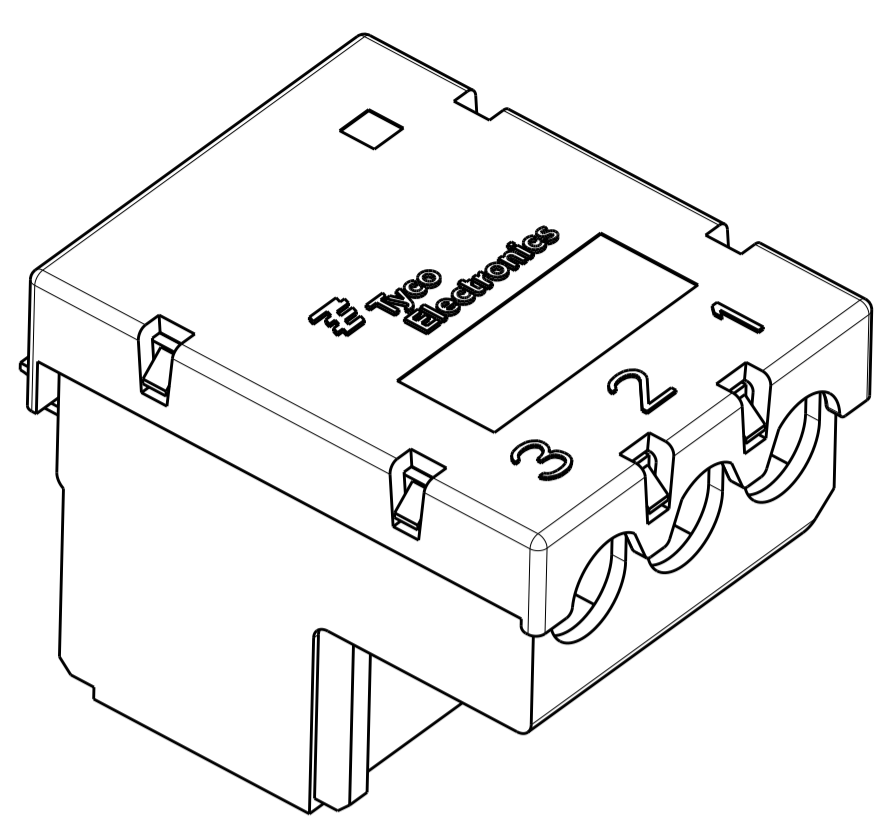
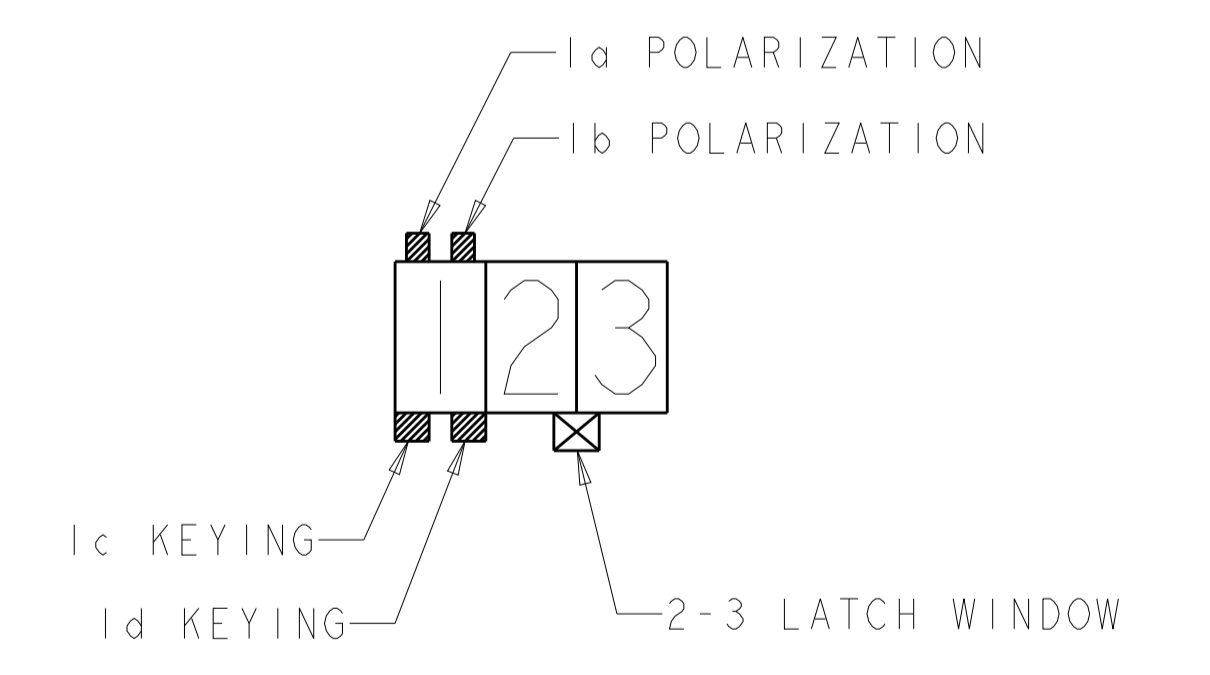
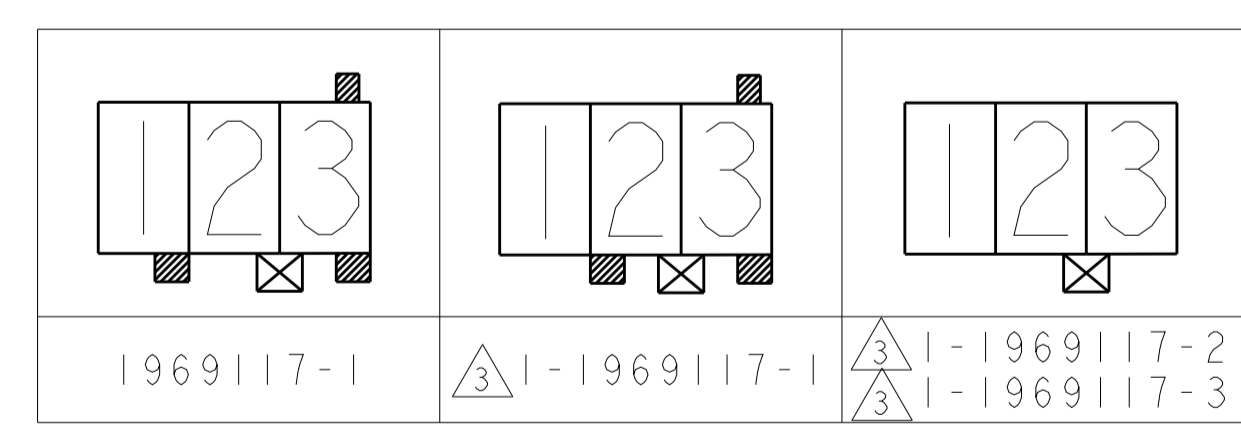
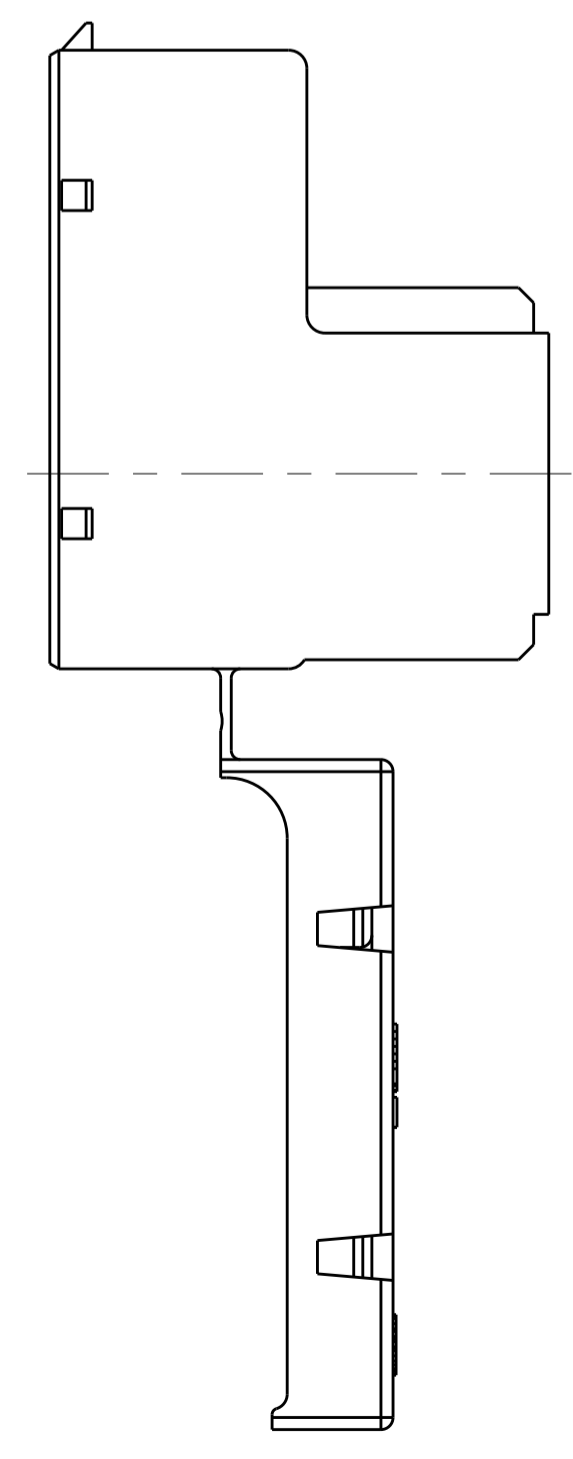
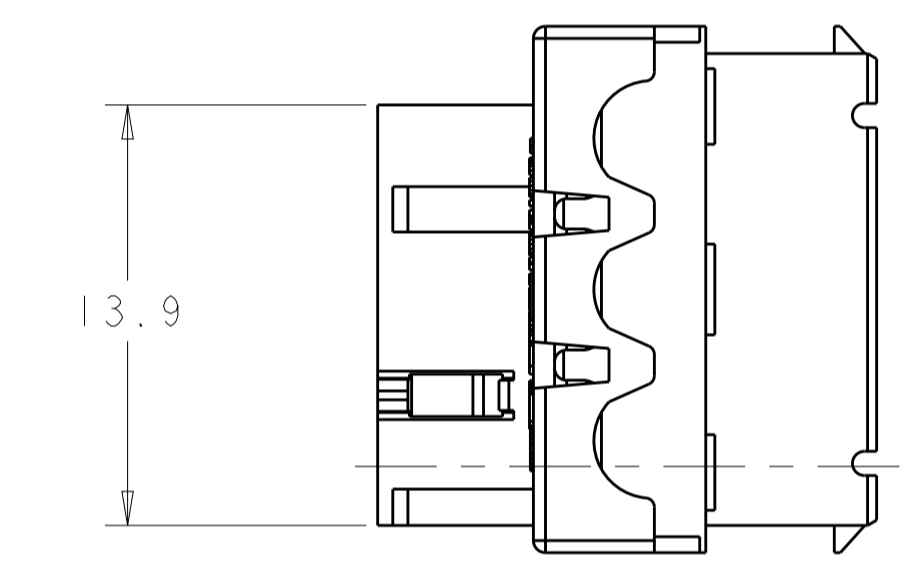
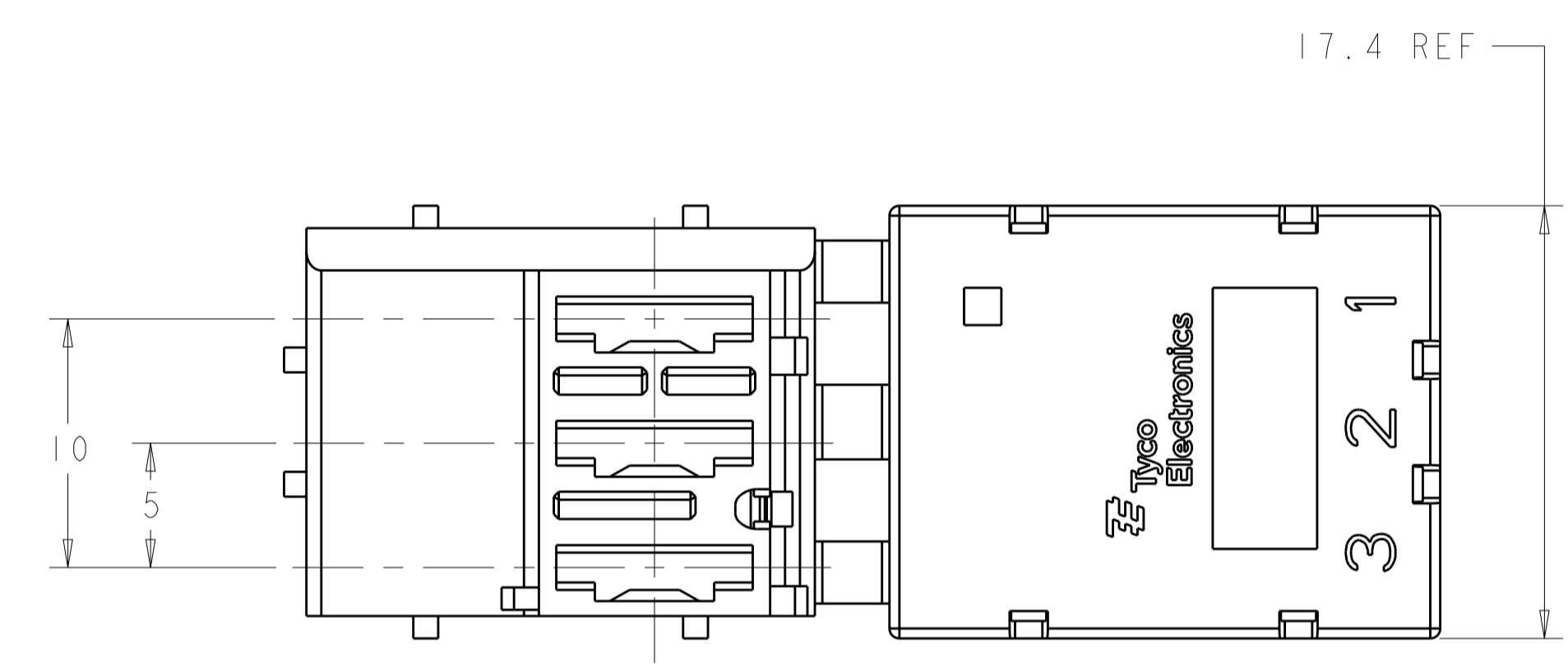
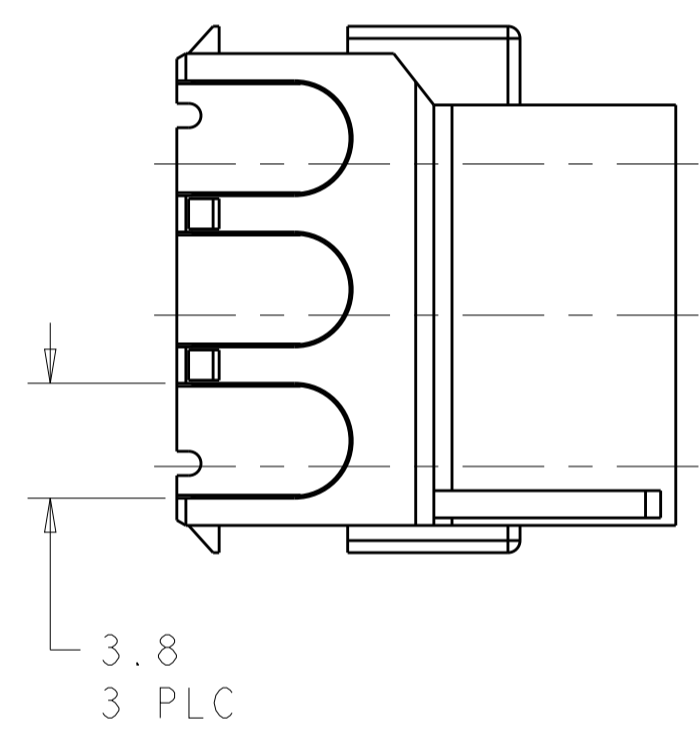
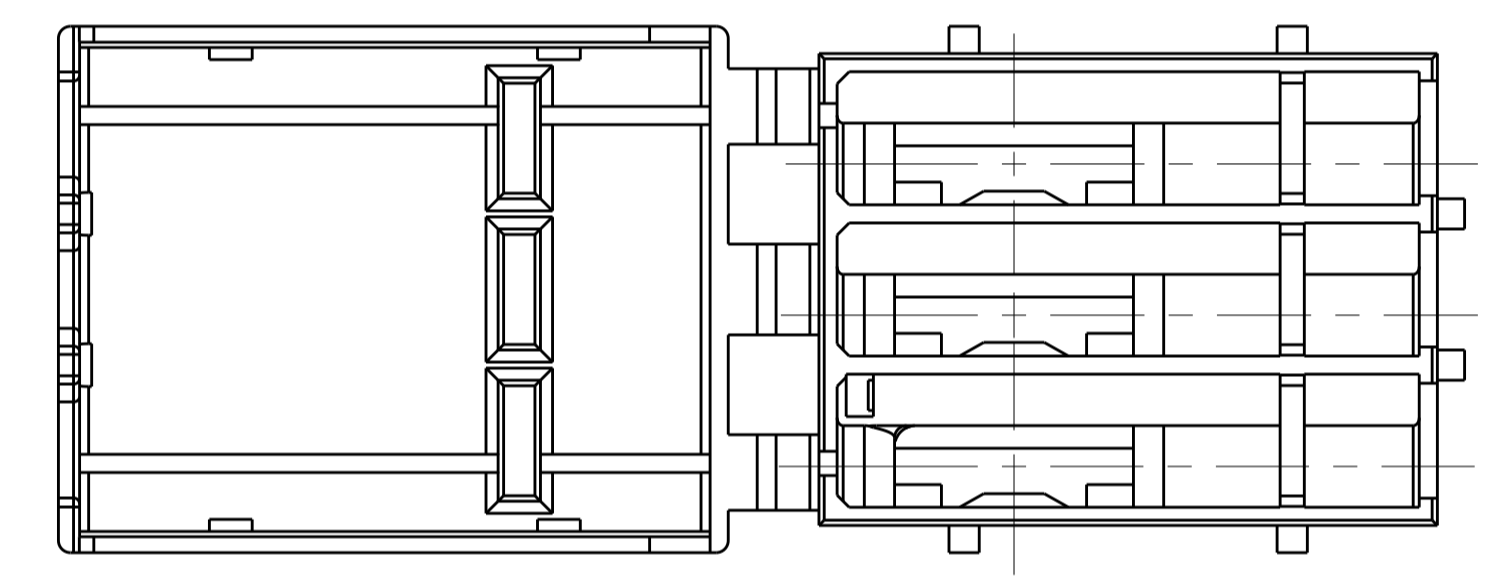


LOC		DIST		REVISIONS			
P	LTN	DESCRIPTION	DATE	DMN	APVD		
A3		REVISED PER ECR-09-008766	04MAY2009	HMR	RL		
A4		ECR-20-003533	10MAR2020	KD	FL		



- 1 CAVITIES ACCEPTS 6.3mm RIGHT ANGLE RECEPTACLES,
 - USE PART NUMBER 1544113-X FOR WIRE RANGE 0.35mm²-1.0mm² [#22-#17] AWG
 - USE [ART NUMBER 1544114-X FOR WIRE RANGE 1.4mm²-2.0mm² [#16-#14] AWG
- 2 THIS PRODUCT HAS NOT COMPLETED VALIDATION TESTING.
- 3 PRELIMINARY - NOT RELEASED FOR PRODUCTION
- 4 UL94-V0, GWEPT 750°C NO FLAME ACCORDING TO IEC-60335-1



PICTORIAL VIEW KEY

-	-	-	BLUE	3 4	1-1969117-3
-	-	-	YELLOW	3 4	1-1969117-2
-	2c, 3d	3b	NATURAL	3 4	1-1969117-1
-	1d, 3d	3b	NATURAL	2	1969117-1
RAST CONFIGURATION	KEYING FEATURE	POLARIZATION FEATURE	FINISH/COLOR	PART NUMBER	
<small>THIS DRAWING IS UNPUBLISHED. RELEASED FOR PUBLICATION BY TYCO ELECTRONICS CORPORATION. ALL RIGHTS RESERVED.</small>					
DIMENSIONS: mm TOLERANCES UNLESS OTHERWISE SPECIFIED: 0 PLC ± 1 PLC ±0.13 2 PLC ± 3 PLC ± 4 PLC ± ANGLES ±1° FINISH SEE TABLE		DWG: M.S. FEHER 25SEP2007 CHK: R. LONDON 28JUN2007 APVD: R. LONDON 28JUN2007 PRODUCT SPEC APPLICATION SPEC WEIGHT CUSTOMER DRAWING		Tyco Electronics Harrisburg, PA 17105-3608 NAME: HOUSING, RAST 5, RIGHT ANGLE POSITIVE LOCK 3 POSITION SIZE: A1 CAGE CODE: 00779 DRAWING NO: 1969117 SCALE: 4:1 SHEET: 1 OF 1 REV: A4	

X-ON Electronics

Largest Supplier of Electrical and Electronic Components

Click to view similar products for [Crimpers](#) category:

Click to view products by [TE Connectivity](#) manufacturer:

Other Similar products are found below :

[576771-1](#) [576788-2](#) [010-0041](#) [010-0055](#) [010-0096](#) [604228-1](#) [M225202-37](#) [CT150-2-D02](#) [CT150-4-LY2](#) [CT150-6-RH07](#) [M322](#) [63484-3701](#)
[63800-0140](#) [63800-8355](#) [63811-3275](#) [63811-3376](#) [63811-6375](#) [63811-6475](#) [63811-7875](#) [63811-8175](#) [63811-8875](#) [63819-0475](#) [63819-1875](#)
[63819-2875](#) [63819-4375](#) [63819-4475](#) [63823-3475](#) [63823-5175](#) [63823-6375](#) [63823-8375](#) [63827-5375](#) [64001-0975](#) [64001-2175](#) [64001-4175](#)
[662903-2](#) [690142-4](#) [690602-6](#) [D38999/20WA98JB-LC](#) [7-1633664-2](#) [7-22278-0](#) [7-22280-5](#) [7-240641-3](#) [762637-1](#) [808714-1](#) [8-1633117-3](#)
[853721-6](#) [91362-1](#) [995-0001-187](#) [1-1633932-5](#) [999-50-020083](#)