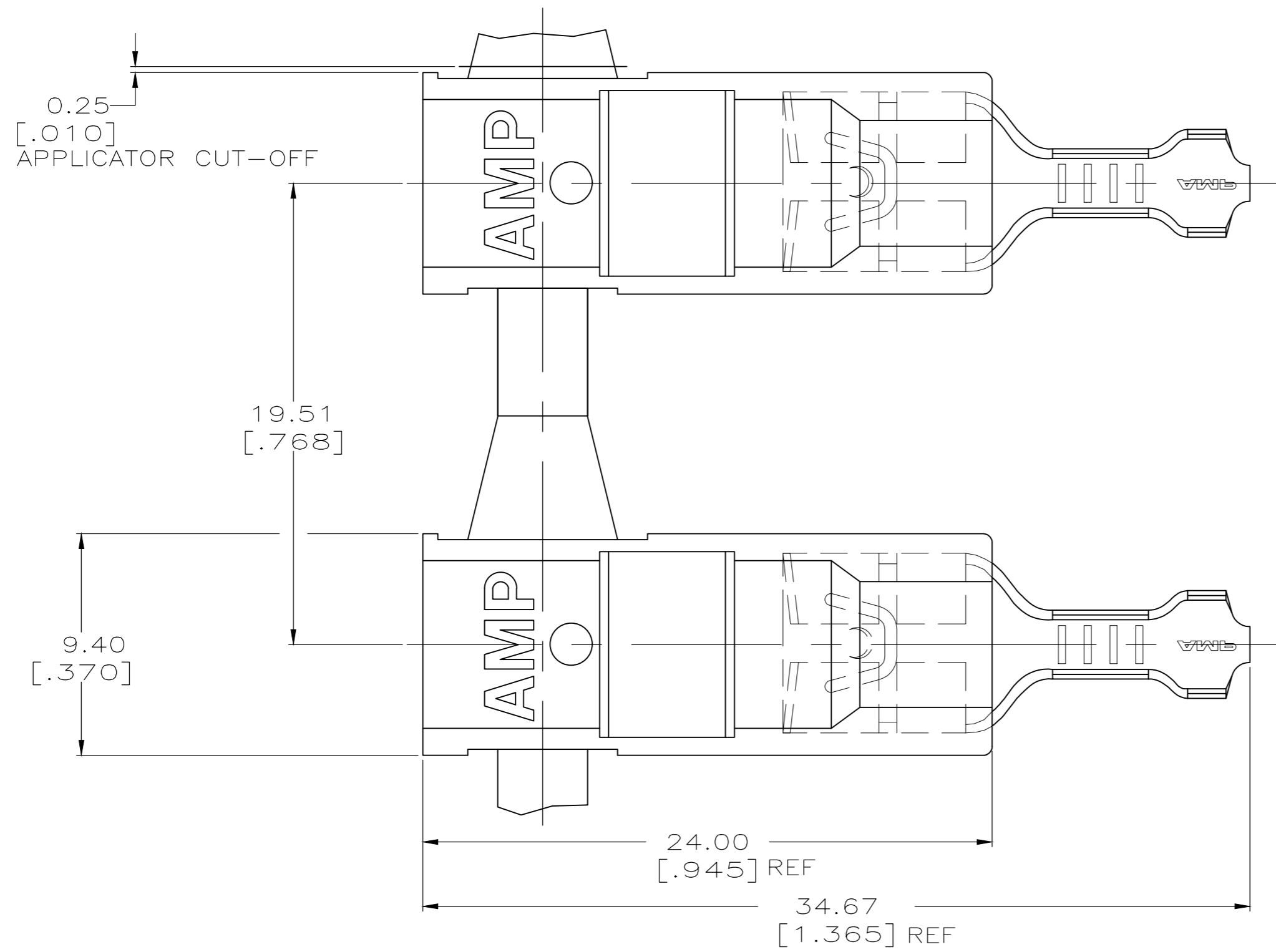
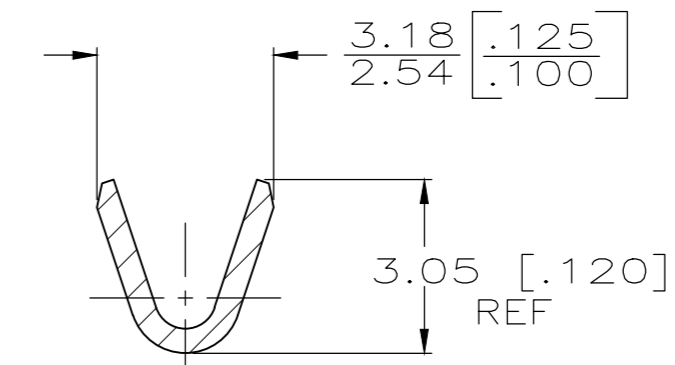


THIS DRAWING IS UNPUBLISHED. RELEASED FOR PUBLICATION  
 © COPYRIGHT - By - ALL RIGHTS RESERVED.

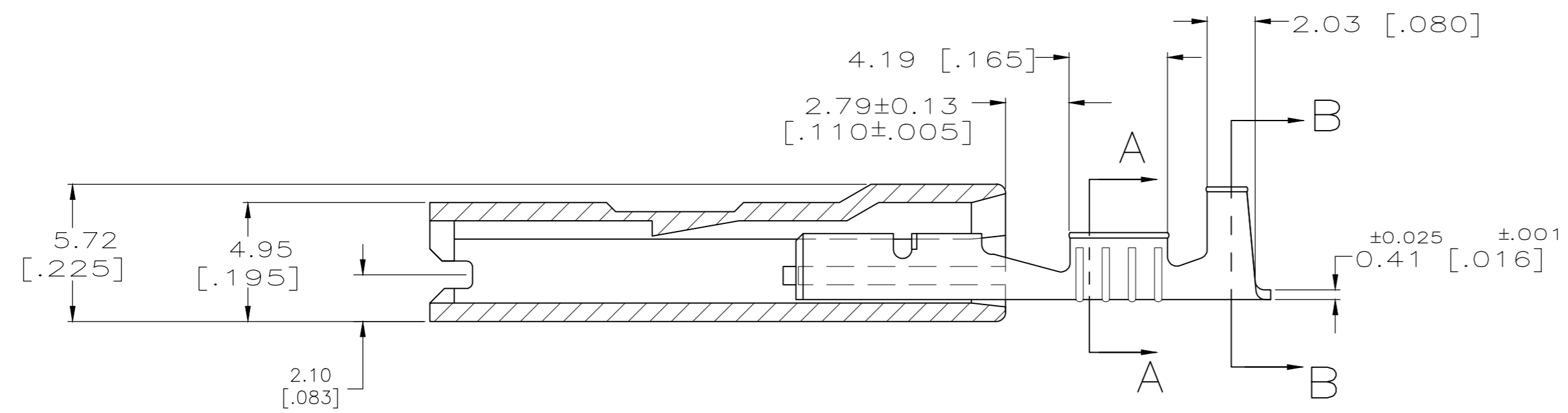
REVISIONS					
P	LTR	DESCRIPTION	DATE	DWN	APVD
	C1	REVISED PER ECR-19-018127	10AUG20	AA	EW



- 1 LOW-INSERTION FASTON TERMINALS, BASE PART NUMBER 2238027, ARE USED IN THIS PRODUCT.
- 2 OFFERED FOR CONSIDERATION IN APPLICATIONS REQUIRING "NON-DRIP" HOUSING MATERIAL.
- △3 PRE-PRODUCTION FASR REQUIRED.
- 4 WIRE SIZE: 0.3-0.8 MM<sup>2</sup> [22-18]
- 5 INSULATION RANGE: 2.29-3.30 [.090-.130]
- 6 MATING TAB THICK: 0.81±0.025[.032#.001]
- △7 GLOW WIRE APPROVED: CONTACT TE ENGINEERING FOR SPECIFICATION ( ALL WALL THICKNESS ARE BETWEEN 0.4 - 3.0 [.015-.118].
- △8 OBSOLETE PARTS
- △9 AGENCY APPROVAL IS PENDING.



SECTION A-A  
SCALE 8:1



SECTION B-B  
SCALE 8:1

△9	TIN PLATE	66 NYLON V0 NATURAL	1969161-5
△8	TIN PLATE	NATURAL, V2, WHITE	△7 △3 1969161-3
SUPERCEDED BY 1969161-5		TIN PLATE	△3 1969161-2
	PLAIN	NYLON 66, V0 NATURAL ( WHITE)	△8 △3 1969161-1
	TERMINAL FINISH	HOUSING	PART NO

THIS DRAWING IS A CONTROLLED DOCUMENT.		DWN	RAGHAVENDRA	13OCT09	<b>STE</b> TE Connectivity Ltd.			
DIMENSIONS: mm [INCHES]		CHK	G PORTA	13OCT09				
TOLERANCES UNLESS OTHERWISE SPECIFIED:		APVD	G PORTA	13OCT09	NAME			
0 PLC	± -	PRODUCT SPEC		ASSEMBLY, HOUSING & RECEPTACLE, 6.35 [.250] SERIES ULTRA-POD				
1 PLC	± -	APPLICATION SPEC		SIZE				
2 PLC	± 0.25 [.010]	108-1285		CAGE CODE				
3 PLC	± -	114-2124		DRAWING NO				
4 PLC	± -	WEIGHT		RESTRICTED TO				
ANGLES	± -	0.000000		A2 00779 C=1969161				
MATERIAL	FINISH	CUSTOMER DRAWING		SCALE				
BRASS	SEE TABLE			5:1 SHEET 1 OF 1 REV C1				

## X-ON Electronics

Largest Supplier of Electrical and Electronic Components

*Click to view similar products for [Terminals](#) category:*

*Click to view products by [TE Connectivity](#) manufacturer:*

Other Similar products are found below :

[00-054007-01074-6](#) [00-054007-70206-1](#) [00-054007-70210-8](#) [00-054007-70217-7](#) [00-054007-70226-9](#) [00-054007-70228-3](#) [00-054007-70248-1](#) [00-054007-70256-6](#) [00-054007-70301-3](#) [00-054007-70316-7](#) [0-0320562-0](#) [00-054007-49560-4](#) [00-054007-70209-2](#) [00-054007-70225-2](#) [00-054007-70227-6](#) [00-054007-70231-3](#) [00-054007-70241-2](#) [00-054007-70242-9](#) [00-054007-70244-3](#) [00-054007-70246-7](#) [00-054007-70263-4](#) [00-054007-70288-7](#) [00-054007-70290-0](#) [00-054007-70300-6](#) [00-054007-70304-4](#) [01-2065-1-0216](#) [01-2900-1-04412](#) [00581P0075](#) [600TS-10](#) [60205-1](#) [604200-1](#) [605601-1](#) [60598-1-CUT-TAPE](#) [61314-6-C](#) [61810-3](#) [61-S](#) [61-SN](#) [626-0194](#) [62-NBM-A](#) [62-SN](#) [62-SP](#) [63-S](#) [640179-1](#) [M55155/059I03](#) [M55155/079C01](#) [M55155/099H02](#) [M55155/109H01](#) [M55155/109H02](#) [M55155/12XH05](#) [M55155/16XH02](#)