

THIS DRAWING IS UNPUBLISHED.

RELEASED FOR PUBLICATION

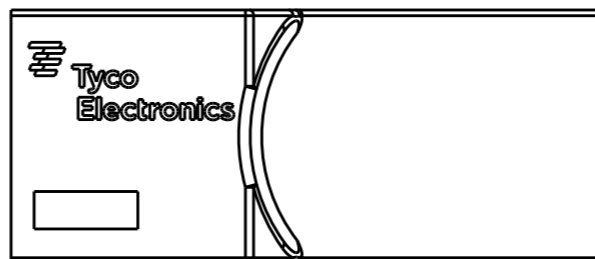
20

© COPYRIGHT 20 BY -

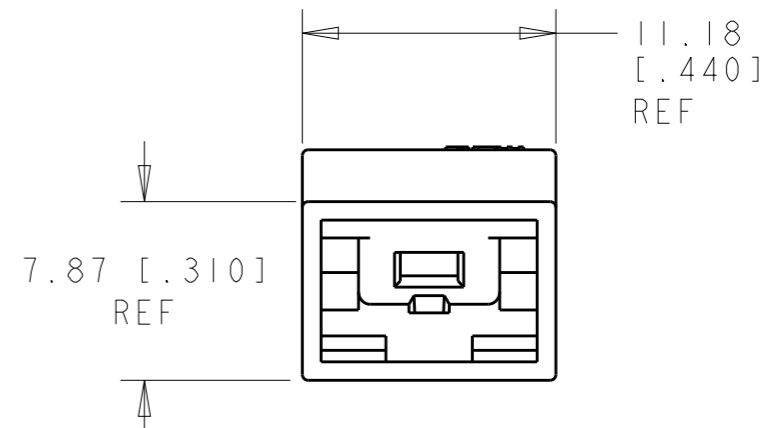
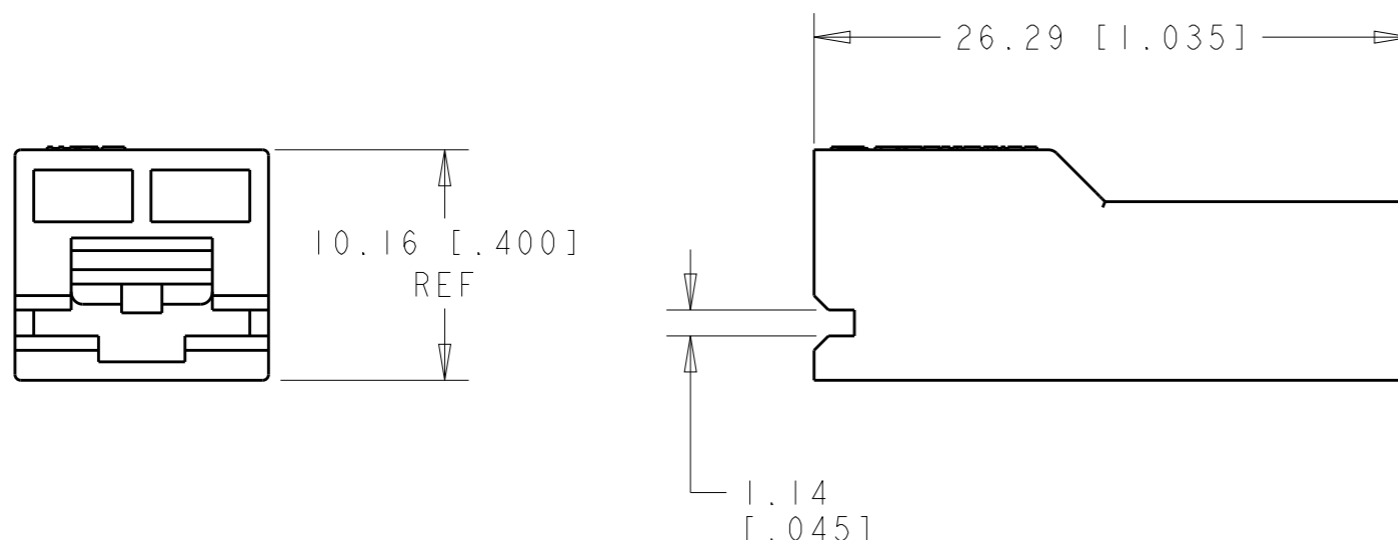
ALL RIGHTS RESERVED.

REVISIONS

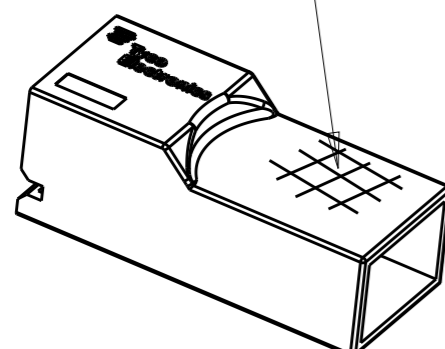
P	LTR	DESCRIPTION	DATE	DWN	APVD
	B5	REVISED PER ECR-18-006870	14SEP2018	BDA	DS



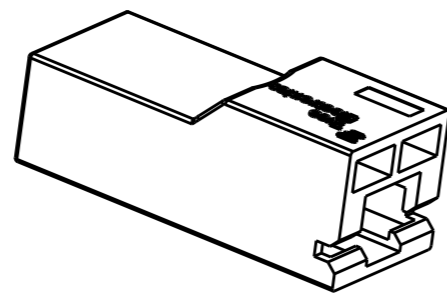
- ① 66 NYLON, V0, NO DRIP
- ② 6/6 NYLON, V2
- ③ PARTS MAY APPEAR MEDIUM COLORED TO LIGHT COLORED AND EXHIBIT A MARBLING EFFECT.



FROSTED SURFACE




SCALE 2:1



SCALE 2:1

SUPERSEDED BY 1-1969186-1

③	BLACK	66 Nylon V0 Natural	1-1969186-1
	NATURAL	②	1969186-2
	BLACK	①	<del>1969186-1</del>
	COLOR	MATERIAL	PART NO.

THIS DRAWING IS A CONTROLLED DOCUMENT.		DWN JR RUTH 23JAN2008	 TE Connectivity	
DIMENSIONS: mm [INCHES]		CHK PETE DESANTIS 23JAN2008		
TOLERANCES UNLESS OTHERWISE SPECIFIED:		APVD PETE DESANTIS 23JAN2008	NAME HOUSING, RECEPTACLE, FASTON, 7.92 [.312] SERIES	
0 PLC ±-	1 PLC ±-	PRODUCT SPEC -	SIZE CAGE CODE DRAWING NO RESTRICTED TO	
2 PLC ±0.25 [.010]	3 PLC ±-	APPLICATION SPEC -	A300779 C-1969186	
4 PLC ±-	ANGLES ±-	WEIGHT -	SCALE 3:1 SHEET 1 OF 1 REV B5	
MATERIAL SEE TABLE material_2	FINISH SEE TABLE finish_spec_2	CUSTOMER DRAWING		

## X-ON Electronics

Largest Supplier of Electrical and Electronic Components

*Click to view similar products for [Terminals](#) category:*

*Click to view products by [TE Connectivity](#) manufacturer:*

Other Similar products are found below :

[00-054007-01074-6](#) [00-054007-70206-1](#) [00-054007-70210-8](#) [00-054007-70217-7](#) [00-054007-70226-9](#) [00-054007-70228-3](#) [00-054007-70248-1](#) [00-054007-70256-6](#) [00-054007-70301-3](#) [00-054007-70316-7](#) [00-054007-49560-4](#) [00-054007-70209-2](#) [00-054007-70225-2](#) [00-054007-70227-6](#) [00-054007-70231-3](#) [00-054007-70241-2](#) [00-054007-70242-9](#) [00-054007-70244-3](#) [00-054007-70246-7](#) [00-054007-70263-4](#) [00-054007-70288-7](#) [00-054007-70290-0](#) [00-054007-70300-6](#) [00-054007-70304-4](#) [01-2065-1-0216](#) [01-2900-1-04412](#) [00581P0075](#) [600TS-10](#) [60205-1](#) [604200-1](#) [605601-1](#) [60598-1-CUT-TAPE](#) [61314-6-C](#) [61810-3](#) [61-S](#) [61-SN](#) [626-0194](#) [62-NBM-A](#) [62-SN](#) [62-SP](#) [63-S](#) [640179-1](#) [M55155/059I03](#) [M55155/079C01](#) [M55155/099H02](#) [M55155/109H01](#) [M55155/109H02](#) [M55155/12XH05](#) [M55155/16XH02](#) [M55155/29-5S](#)