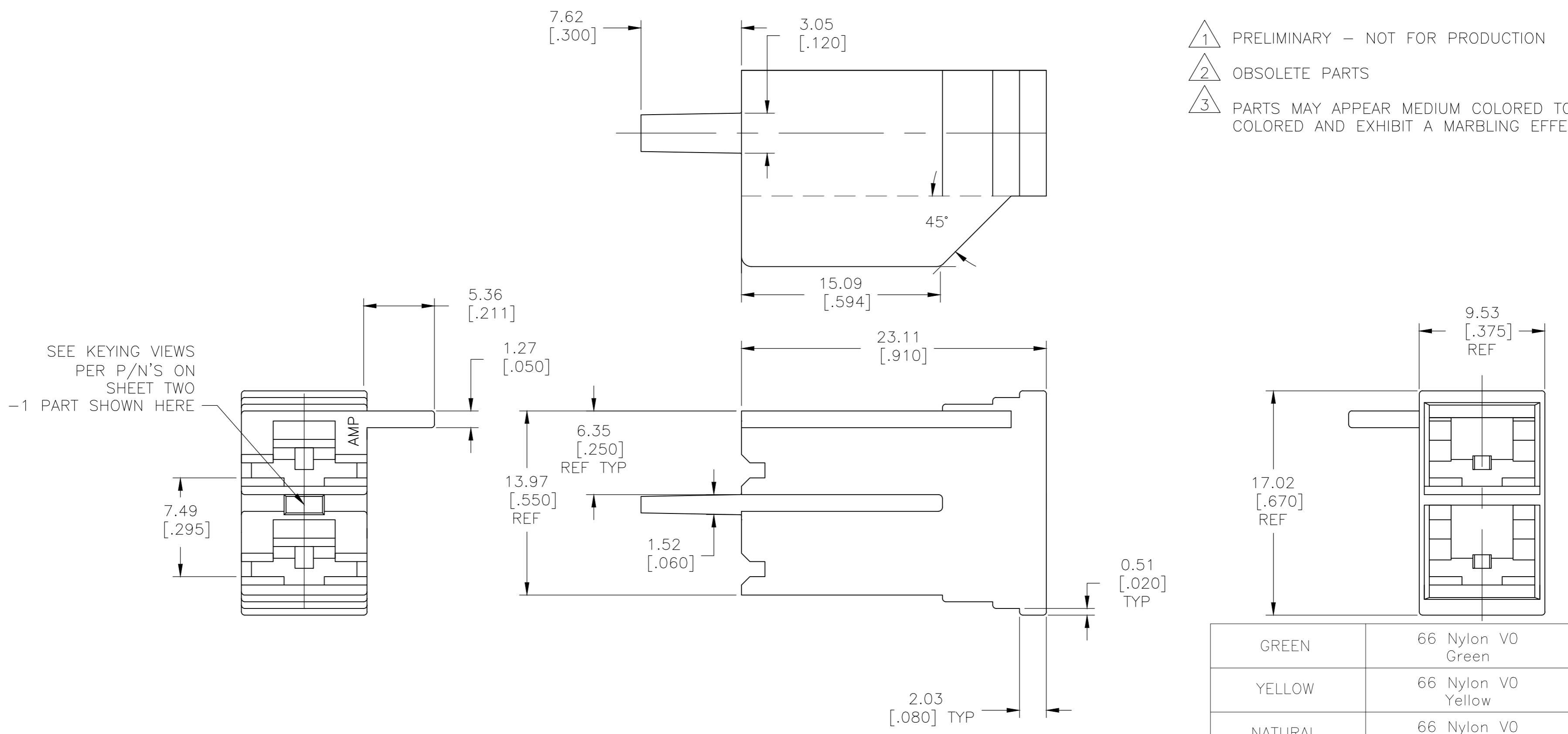


THIS DRAWING IS UNPUBLISHED. RELEASED FOR PUBLICATION
 © COPYRIGHT - TE Connectivity Ltd. ALL RIGHTS RESERVED.

REVISIONS					
P	LTR	DESCRIPTION	DATE	DWN	APVD
A8		REVISED PER ECR-18-007505	06NOV2018	BDA	DS



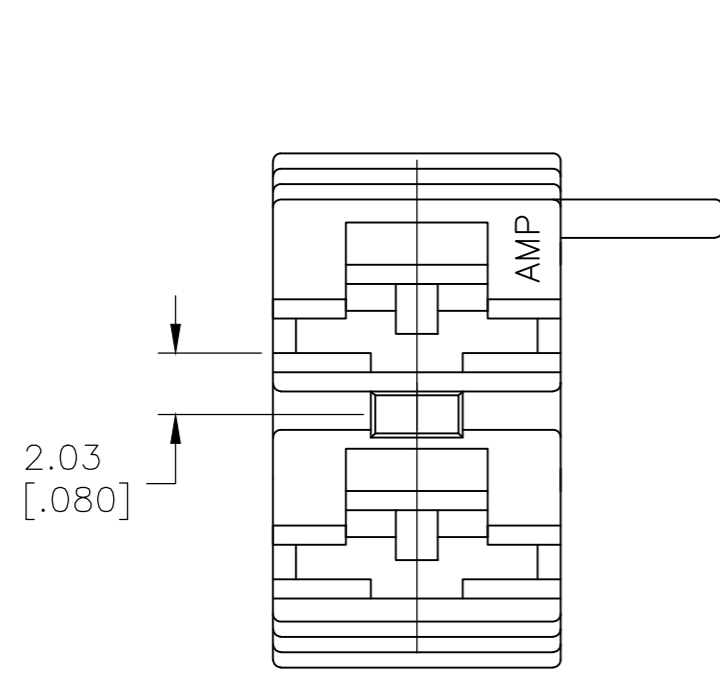
- 1 PRELIMINARY - NOT FOR PRODUCTION
- 2 OBSOLETE PARTS
- 3 PARTS MAY APPEAR MEDIUM COLORED TO LIGHT COLORED AND EXHIBIT A MARBLING EFFECT.

GREEN	66 Nylon V0 Green	3 1-1969232-4	
YELLOW	66 Nylon V0 Yellow	3 1-1969232-3	
NATURAL	66 Nylon V0 Natural	1-1969232-1	
RED	66 NYLON, V0	1 1969232-5	
SUPERSEDED BY 1-1969232-4	GREEN	66 NYLON, V0	-1969232-4-
SUPERSEDED BY 1-1969232-3	YELLOW	66 NYLON, V0	-1969232-3-
	BLACK	66 NYLON, V0	2 -1969232-2-
SUPERSEDED BY 1-1969232-1	NATURAL	66 NYLON, V0	-1969232-1-
	COLOR	MATERIAL	PART NO

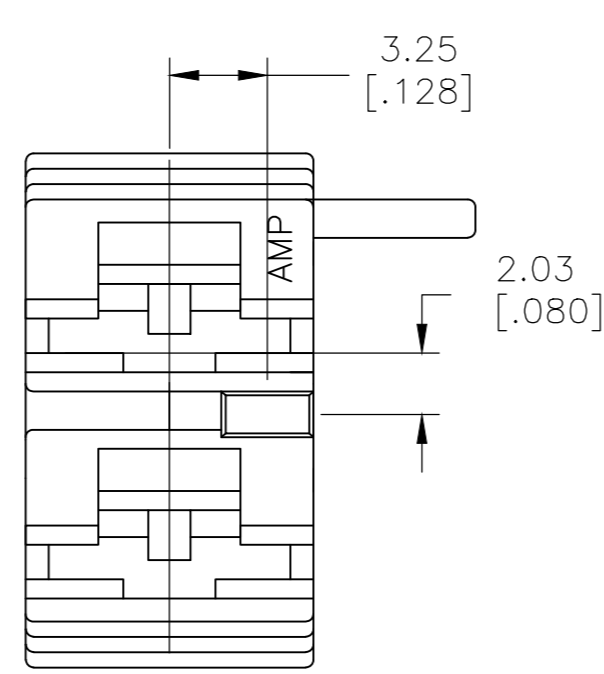
THIS DRAWING IS A CONTROLLED DOCUMENT.		DWN jr ruth 16DEC08	TE TE Connectivity Ltd.	
DIMENSIONS: mm [INCHES]		CHK P DESANTIS 16DEC08		
TOLERANCES UNLESS OTHERWISE SPECIFIED:		APVD P DESANTIS 16DEC08	NAME	
0 PLC ± -		PRODUCT SPEC	HOUSING, RECEPTACLE, FASTON, .250 SERIES, 2 CIRCUIT	
1 PLC ± -		APPLICATION SPEC	SIZE A2	CAGE CODE 00779
2 PLC ± 0.25 [.010]		WEIGHT -	DRAWING NO C=1969232	RESTRICTED TO -
3 PLC ± -		CUSTOMER DRAWING	SCALE 4:1	SHEET 1 OF 2
4 PLC ± -			REV A8	
ANGLES ± 5°				
FINISH SEE TABLE				

THIS DRAWING IS UNPUBLISHED. RELEASED FOR PUBLICATION
 © COPYRIGHT - TE Connectivity Ltd. ALL RIGHTS RESERVED.

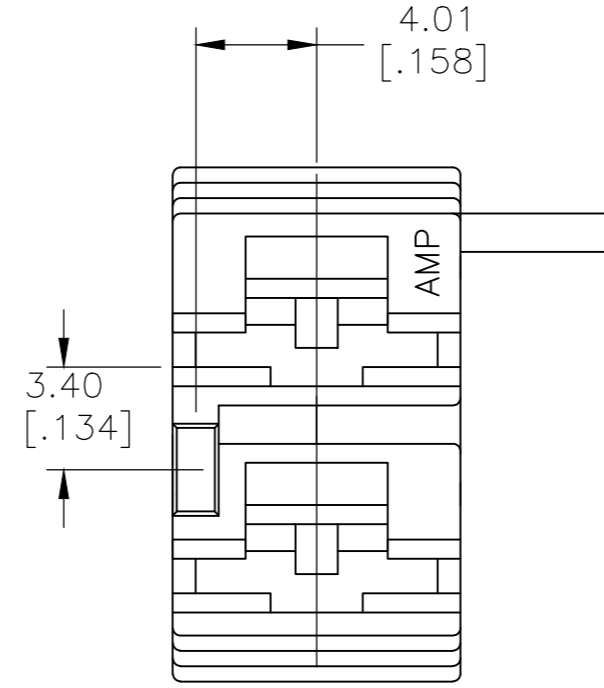
REVISIONS					
P	LTR	DESCRIPTION	DATE	DWN	APVD
-	-	SEE SHEET 1	-	-	-



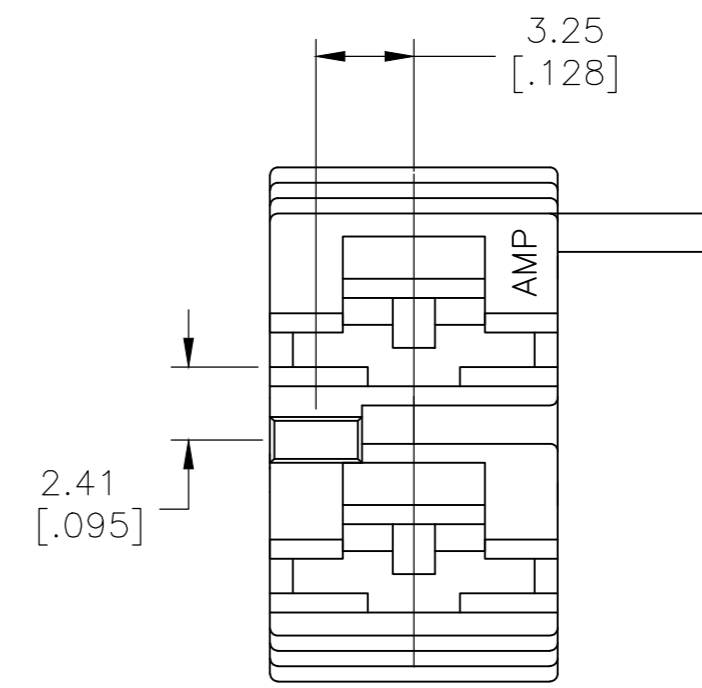
KEYING FOR -1
TAB ENTRY VIEW
NATURAL



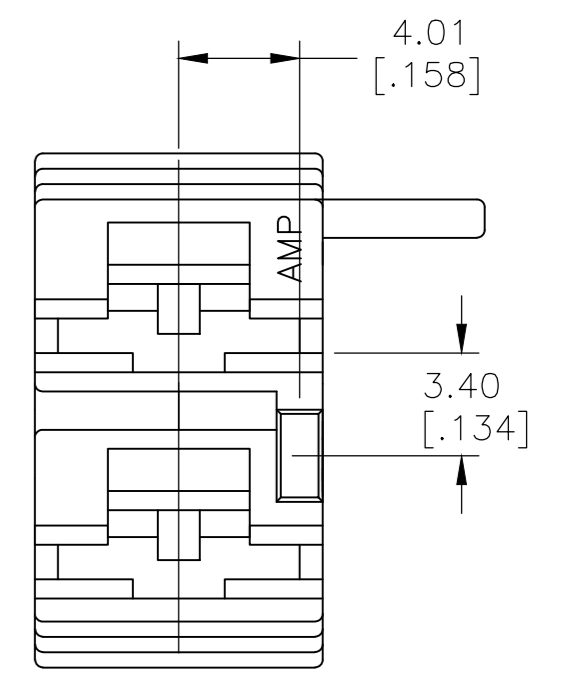
KEYING FOR -2
TAB ENTRY VIEW
BLACK



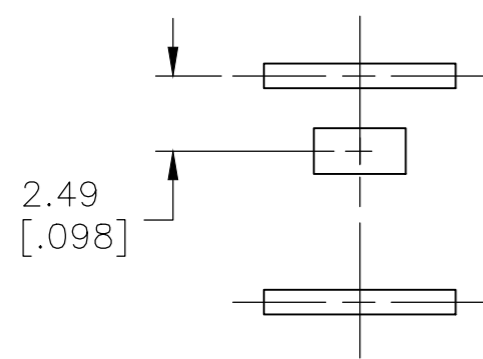
KEYING FOR -3
TAB ENTRY VIEW
YELLOW



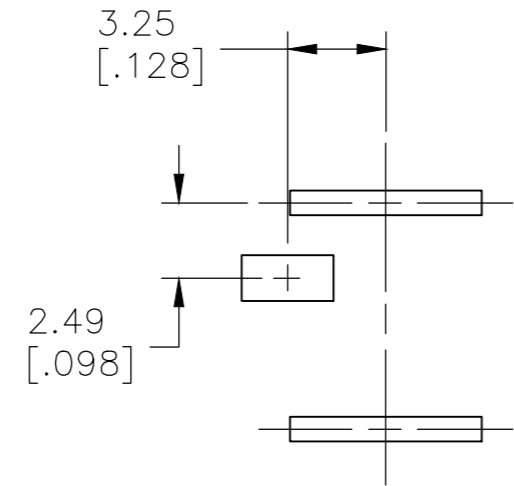
KEYING FOR -4
TAB ENTRY VIEW
GREEN



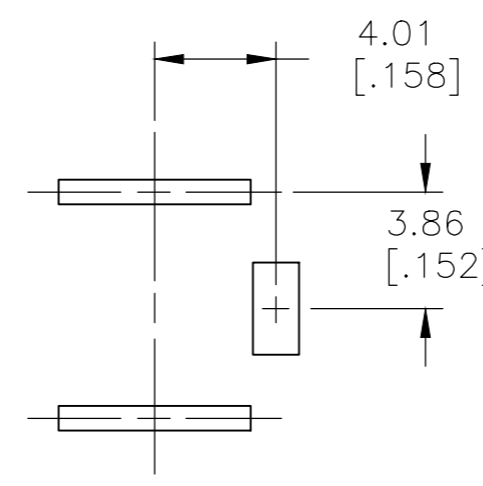
KEYING FOR -5
TAB ENTRY VIEW
RED



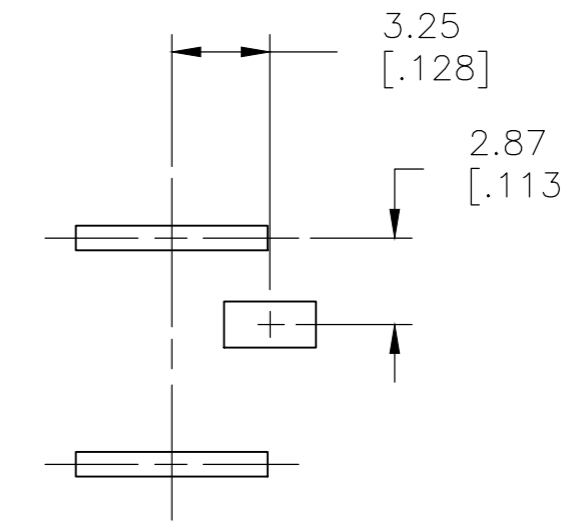
SUGGESTED
PC BOARD
CIRCUIT FOR
1969232-1



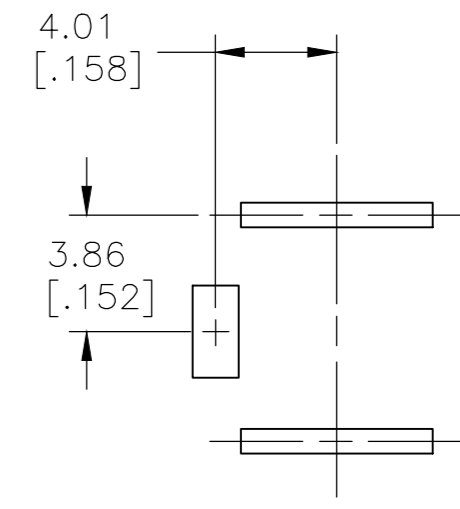
SUGGESTED
PC BOARD
CIRCUIT FOR
1969232-2



SUGGESTED
PC BOARD
CIRCUIT FOR
1969232-3



SUGGESTED
PC BOARD
CIRCUIT FOR
1969232-4



SUGGESTED
PC BOARD
CIRCUIT FOR
1969232-5

THIS DRAWING IS A CONTROLLED DOCUMENT.		DWN jr ruth 16DEC08	TE Connectivity Ltd.	
DIMENSIONS: mm [INCHES]		CHK P DESANTIS 16DEC08		
TOLERANCES UNLESS OTHERWISE SPECIFIED:		APVD P DESANTIS 16DEC08	NAME	
0 PLC ± - 1 PLC ± - 2 PLC ± 0.25 [.010] 3 PLC ± - 4 PLC ± - ANGLES ± 5°		PRODUCT SPEC		RESTRICTED TO
MATERIAL SEE TABLE		APPLICATION SPEC		
FINISH SEE TABLE		WEIGHT -	SIZE A2	CAGE CODE 00779
		DRAWING NO C=1969232		REV A8
		CUSTOMER DRAWING		SCALE 4:1
		SHEET 2 of 2		

X-ON Electronics

Largest Supplier of Electrical and Electronic Components

Click to view similar products for [Terminals](#) category:

Click to view products by [TE Connectivity](#) manufacturer:

Other Similar products are found below :

[HT-13-10](#) [71M-250-32-NB](#) [01-2065-1-0216](#) [00581P0075](#) [M10-10RX](#) [M10BCK](#) [60205-1](#) [604200-1](#) [60598-1-CUT-TAPE](#) [60617-1-C](#) [60873-1](#) [M14-516R/SK](#) [M14-6RSX](#) [M18-10FLX](#) [M18-8FBX](#) [M18-8R/LX](#) [M18BCK](#) [61314-6-C](#) [61-S](#) [61-SN-A](#) [62149-1](#) [62-NBM-A](#) [63-S](#) [640179-1](#) [640917-2-CUT-TAPE](#) [6501550002](#) [66107-2-C](#) [66107-4-C](#) [696683-1](#) [696834-1](#) [696861-1](#) [696931-1](#) [696999-1](#) [M8-516RK](#) [M86700006](#) [MA250DMFMX-A](#) [701-2007](#) [701-2307](#) [701-7761-03](#) [70F-110-32-PB](#) [718-N-A](#) [71M-187-20-NBL](#) [71M-250-32-NBL](#) [72F-187-20-NBL](#) [72M-250-32-NBL](#) [7310](#) [73F-250-32](#) [73F-250-32-NBL](#) [73F-250-32-NL](#) [F-1M](#)