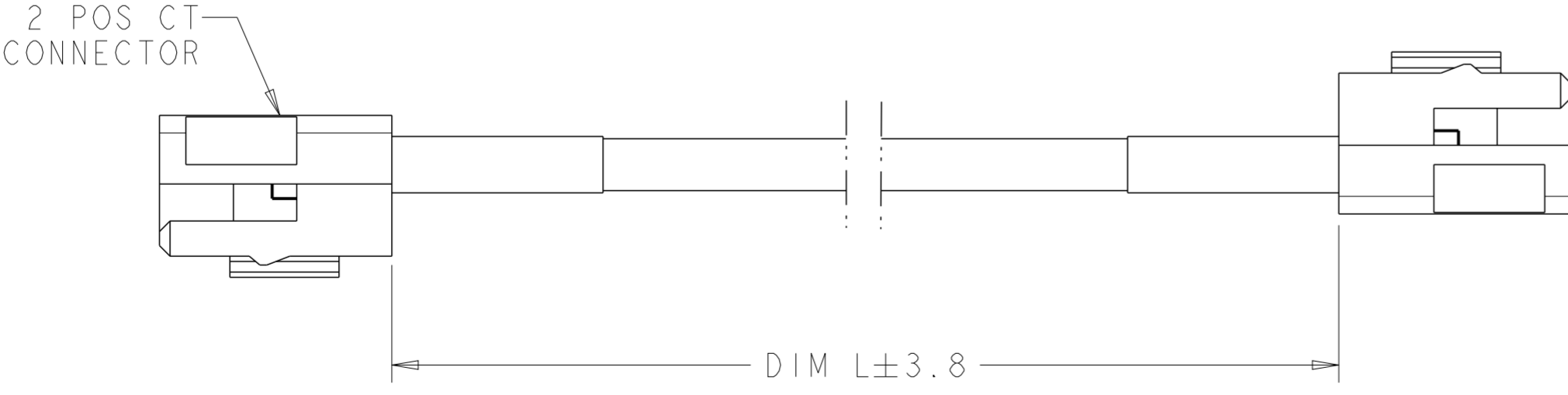
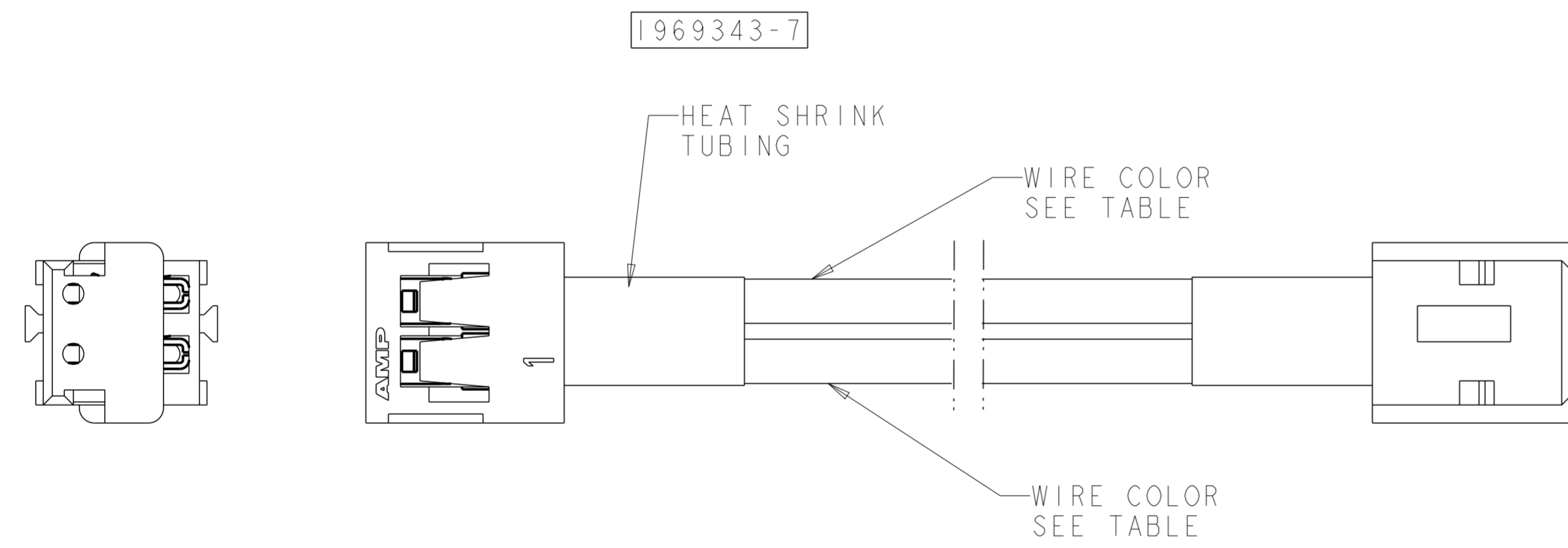
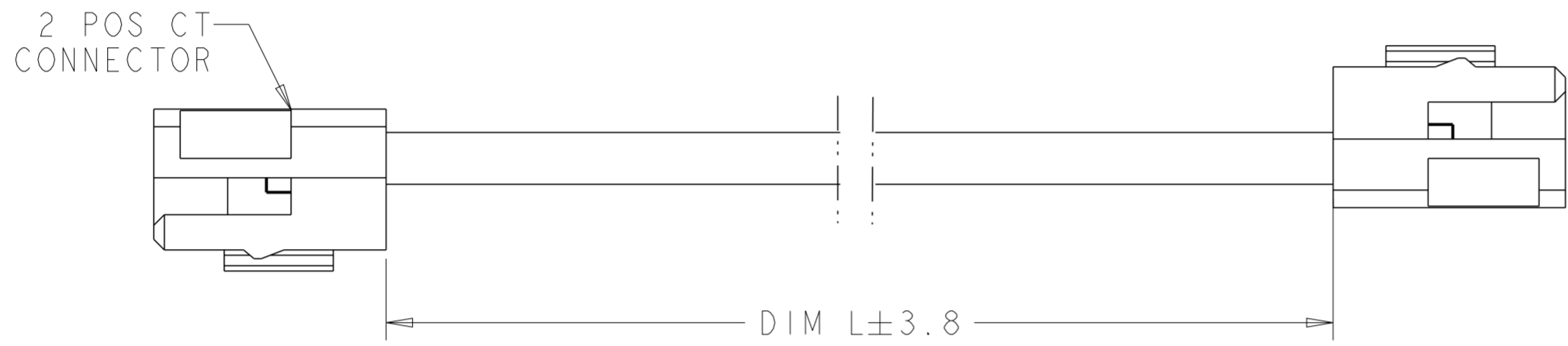
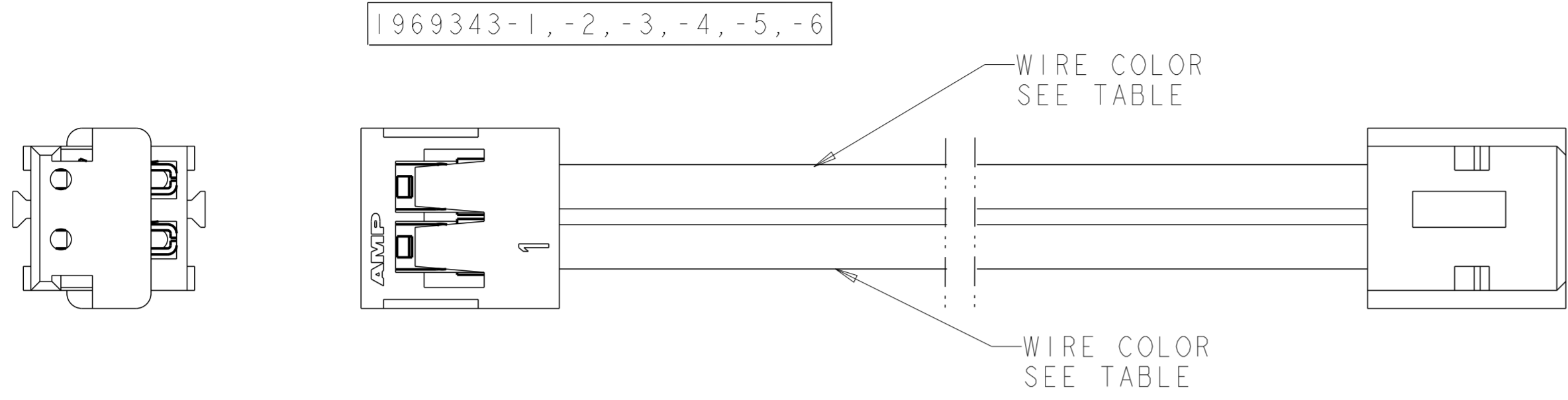


THIS DRAWING IS UNPUBLISHED. RELEASED FOR PUBLICATION 20
 © COPYRIGHT 20 BY - ALL RIGHTS RESERVED.

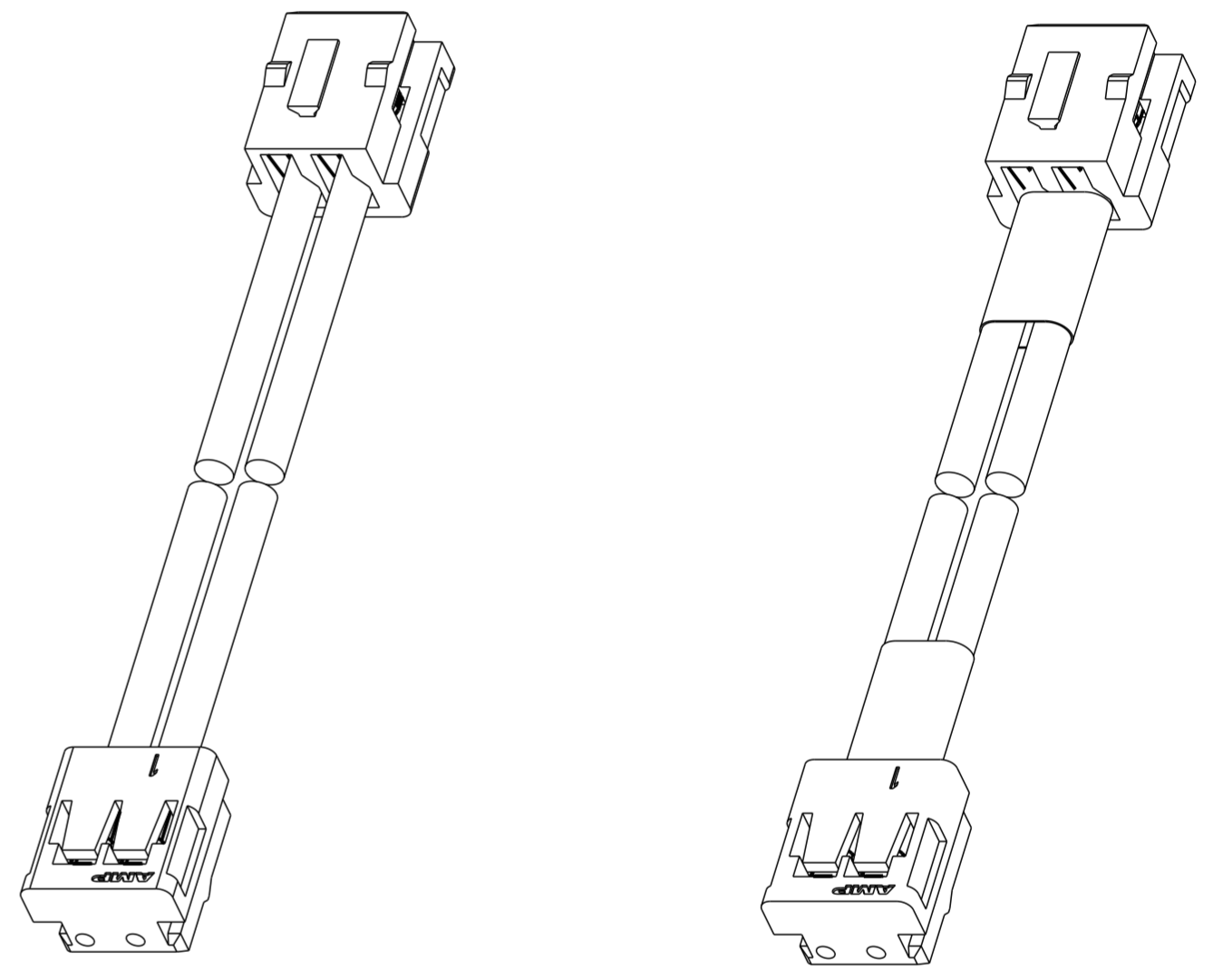
LOC		DIST		REVISIONS			
P	LTR	DESCRIPTION		DATE	DWN	APVD	
B		PER ECR-11-017710		28MAR2012	PB	PB	
C		ECR-13-004256		11MAR2013	TB	DM	
E		ECR-13-013625		29AUG2013	TB	DM	
EI		ECR-20-004655		07OCT20	RK	SBH	



⚠ MATERIALS AND FINISH:
 HOUSING: NYLON, COLOR: BLACK
 CONTACTS: COPPER ALLOY, FINISH: Ag OVER Sn
 WIRE: 24 AWG, UL 1007

2. MUST COMPLY WITH DIRECTIVE 2002/95/EC (ROHS)

⚠ OBSOLETE



1969343-1, -2, -3, -4, -5, -6
 SCALE 4:1

1969343-7
 SCALE 4:1

3	WHITE	WHITE	150.0	1969343-7
3	WHITE	WHITE	300.0	1969343-6
	WHITE	WHITE	150.0	1969343-5
3	WHITE	WHITE	50.0	1969343-4
3	BLACK	RED	300.0	1969343-3
3	BLACK	RED	150.0	1969343-2
	BLACK	RED	50.0	1969343-1
	WIRE COLOR POSITION #2	WIRE COLOR POSITION #1	DIM L	PART NO.

THIS DRAWING IS A CONTROLLED DOCUMENT.

DIMENSIONS: mm	TOLERANCES UNLESS OTHERWISE SPECIFIED:	DWN JR RUTH 10DEC09	TE Connectivity
0 PLC ±	1 PLC ±	CHK D DECKER 10DEC09	
2 PLC ±	3 PLC ±	APVD D DECKER 10DEC09	
4 PLC ±	ANGLES ±	PRODUCT SPEC	
MATERIAL	FINISH	APPLICATION SPEC	NAME CABLE ASSEMBLY CT, 2 POSITION
		WEIGHT	SIZE A2
		CUSTOMER DRAWING	CAGE CODE 00779
			DRAWING NO C-1969343
			RESTRICTED TO
			SCALE NTS
			SHEET 1 OF 1
			REV EI

X-ON Electronics

Largest Supplier of Electrical and Electronic Components

Click to view similar products for [Ethernet Cables / Networking Cables](#) category:

Click to view products by [TE Connectivity](#) manufacturer:

Other Similar products are found below :

[73-6670-7](#) [73-6680-15](#) [73-7797-25](#) [MCJB2-10P6Q7-120](#) [84909-0204](#) [1200700174](#) [1200860368](#) [E16A06002M030](#) [E200102-009-S1](#)
[AX105346-EW](#) [MT14-187L](#) [17-103530](#) [ERWPAB3002M005](#) [190-038045-01](#) [NK5EPC18RDY](#) [NK5EPC18VLY](#) [NK5EPC18YLY](#)
[NK5EPC1GRY](#) [NK5EPC4Y](#) [NK5EPC6YLY](#) [NK5EPC8BLY](#) [NK5EPC9YLY](#) [1969343-6](#) [C501100010](#) [C501106002](#) [C501106007](#)
[C501106015](#) [C501106025](#) [C601102010](#) [C601104010](#) [C601106007](#) [C601106015](#) [2142758-2](#) [2168427-2](#) [CAT1106007](#) [21949-1](#) [2J1866A](#)
[RJF SFTP 5E 0500](#) [AX100351](#) [MN14CEC/ST](#) [C501100015](#) [C501106004](#) [C501106010](#) [C5F1108007](#) [C601104004](#) [C601106004](#)
[CA21106004](#) [CA21106010](#) [CA21106015](#) [CA21109007](#)