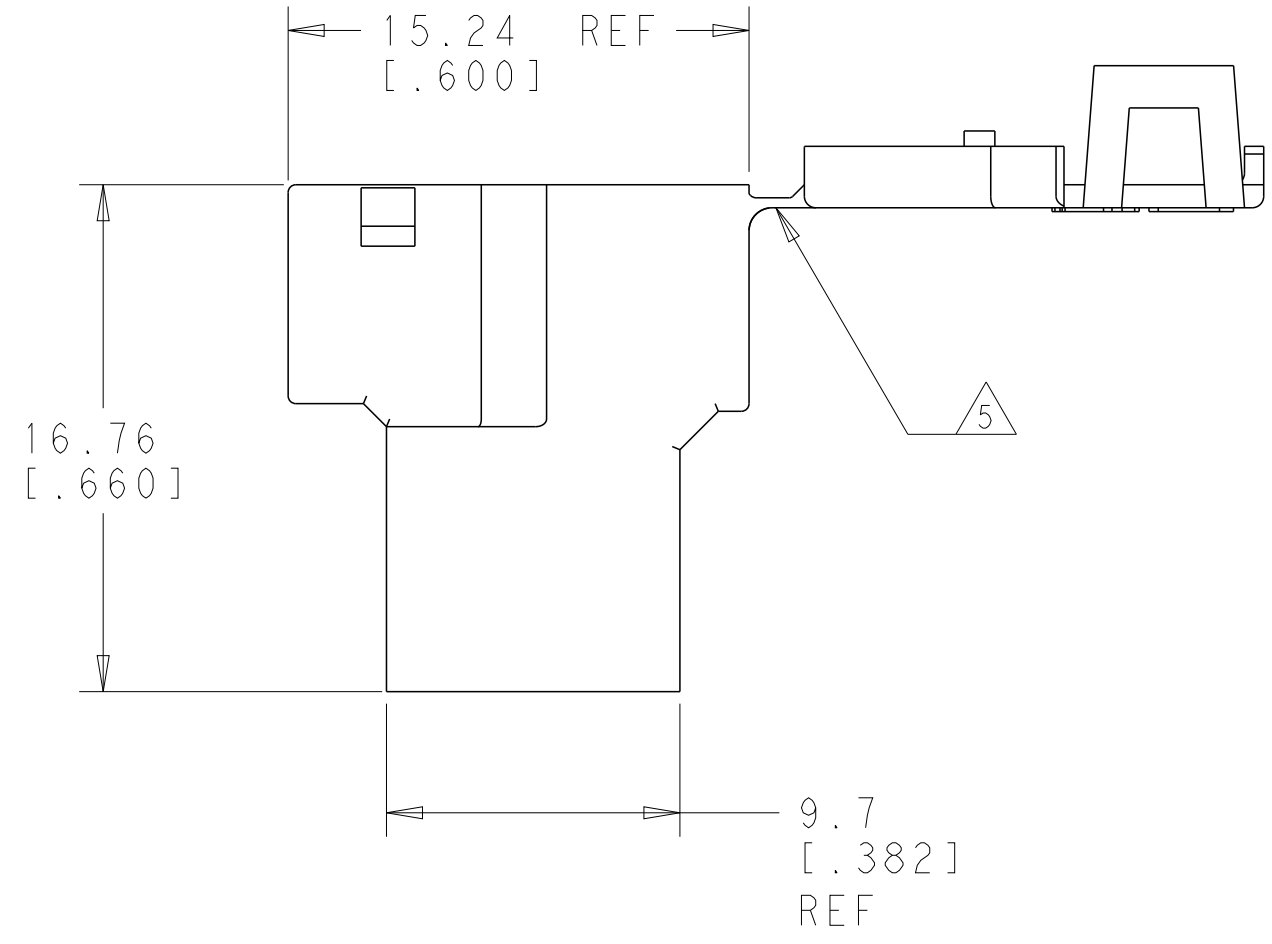
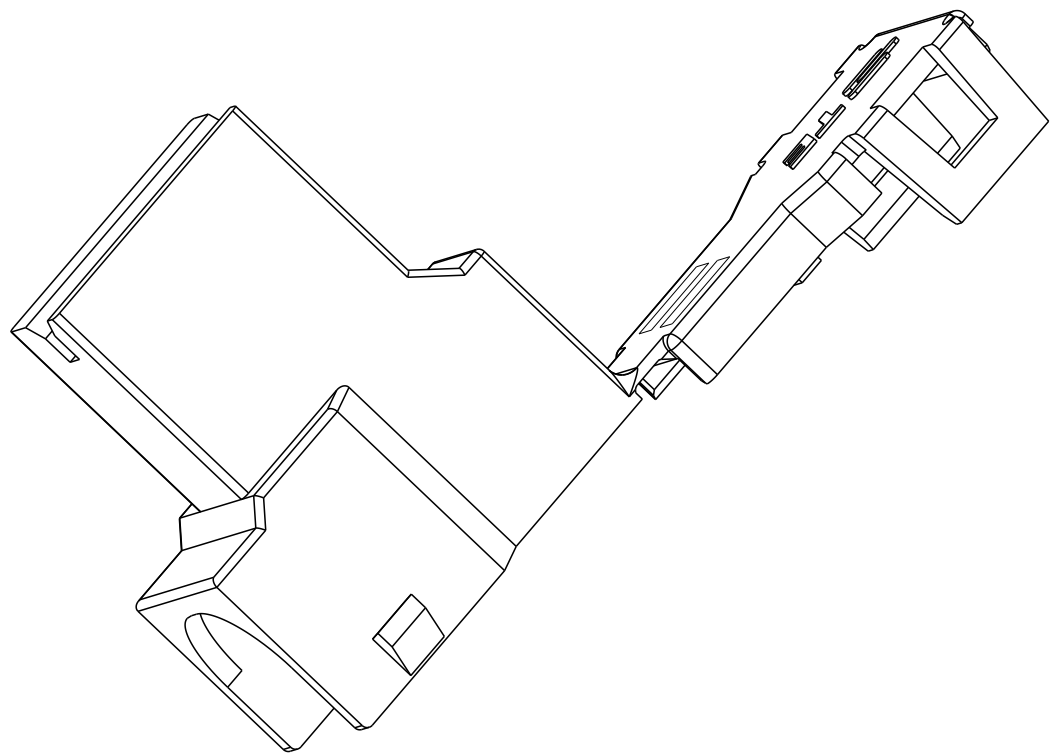
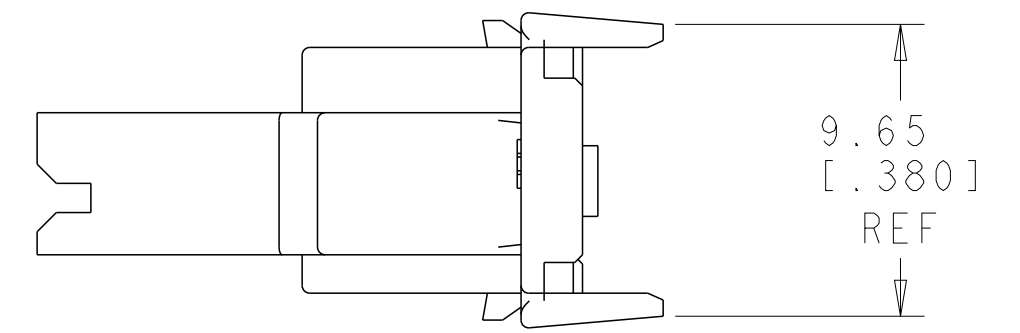
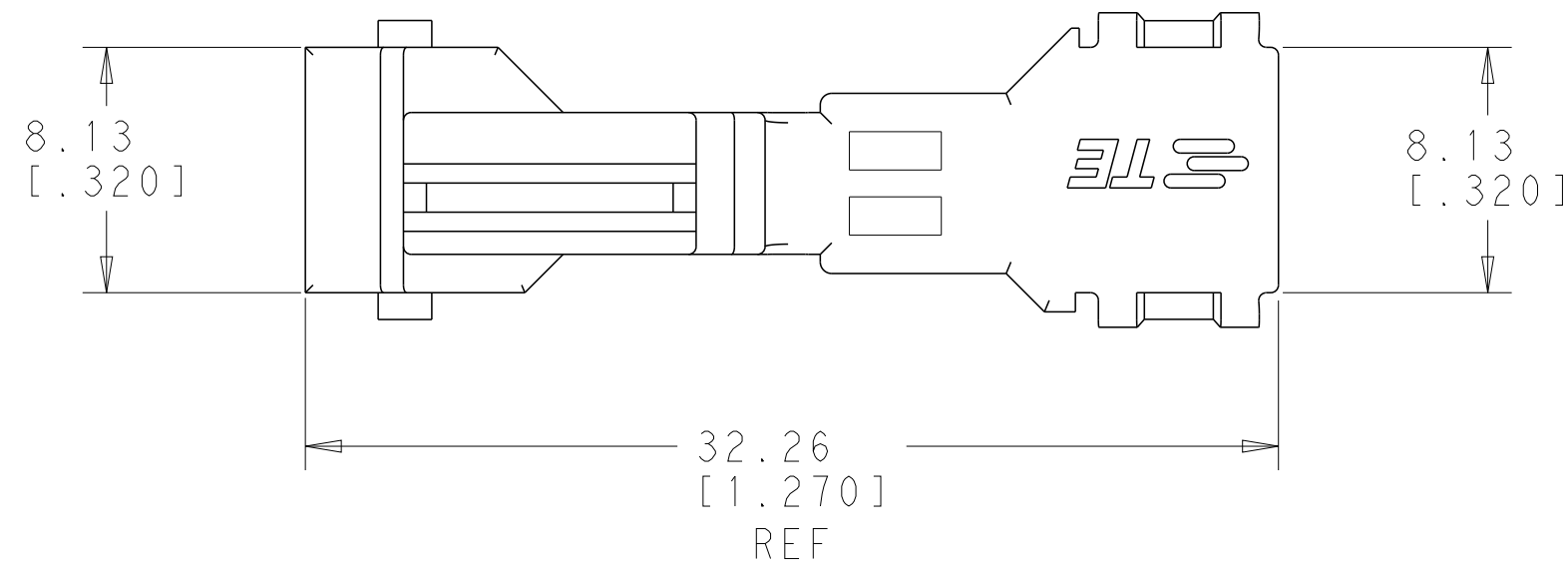
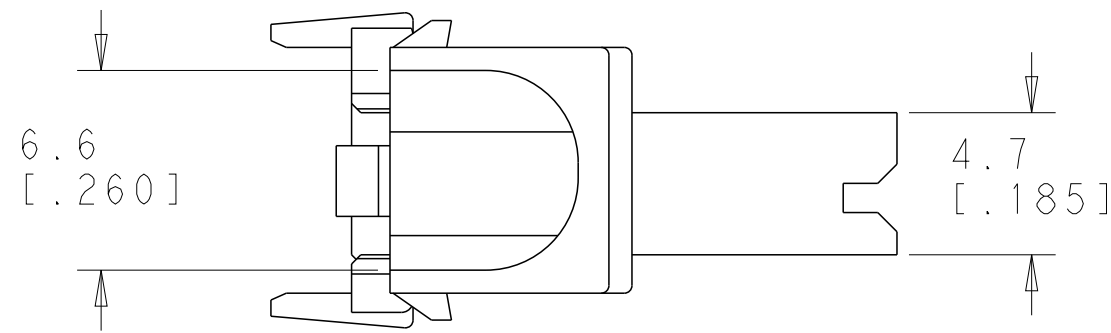


THIS DRAWING IS UNPUBLISHED. RELEASED FOR PUBLICATION 20  
 © COPYRIGHT 20 BY - ALL RIGHTS RESERVED.

LOC	DIST	REVISIONS					
AF	50	P	LTR	DESCRIPTION	DATE	DWN	APVD
		B5		REVISED PER ECO-18-007263	09MAY2018	RS	DS
		B6		REVISED PER ECR-19-006167	07MAY2019	BDA	DH
		B7		REVISED PER ECR-19-017221	28JAN2020	BDA	DS



- ① MATERIAL -NATURAL, 6 NYLON, 150°C, V0
- ② MATERIAL -BLACK, 6 NYLON, 150°C, V0
- ③ MATERIAL -NATURAL, 66 NYLON, V2, GLOW WIRE MATERIAL
- ④ MATERIAL - NATURAL 66 NYLON V0, GLOW WIRE MATERIAL
- ⑤ IF CRACKS IN THE LIVING HINGE ARE OBSERVED DURING CLOSING THE LID, THIS IS AN INDICATION THAT THE PARTS HAVE BEEN ALLOWED TO DRY-OUT TOO MUCH. RE-MOISTURIZE THE PARTS PER SPECIFICATION 408-143119.



SUPERSEDED BY 1969507-9

④	1969507-9
③	<del>1969507-4</del>
②	1969507-3
①	1969507-2
MATERIAL	PART NO.

DIMENSIONS:		TOLERANCES UNLESS OTHERWISE SPECIFIED:		DWN		CHK		APVD		NAME	
mm	[INCHES]	0 PLC	±	JR RUTH	03APR12	STE	03APR12	PEITE DESANTIS	03APR12	PEITE DESANTIS	03APR12
1 PLC	±	2 PLC	±0.38 [.015]	PRODUCT SPEC		APPLICATION SPEC		WEIGHT		RESTRICTED TO	
3 PLC	±	4 PLC	±	CUSTOMER DRAWING		SCALE		SHEET		REV	
ANGLES	±	FINISH		A200779		C-1969507		4:1		1 OF 1	
FINISH	±	SEE TABLE		CUSTOMER DRAWING		SCALE		SHEET		REV	



HOUSING, RECEPTACLE, FLAG FASTON, CLOSED BACK, .250 SERIES

## X-ON Electronics

Largest Supplier of Electrical and Electronic Components

*Click to view similar products for [Terminals](#) category:*

*Click to view products by [TE Connectivity](#) manufacturer:*

Other Similar products are found below :

[00-054007-01074-6](#) [00-054007-70206-1](#) [00-054007-70210-8](#) [00-054007-70217-7](#) [00-054007-70226-9](#) [00-054007-70228-3](#) [00-054007-70248-1](#) [00-054007-70256-6](#) [00-054007-70301-3](#) [00-054007-70316-7](#) [00-054007-49560-4](#) [00-054007-70209-2](#) [00-054007-70225-2](#) [00-054007-70227-6](#) [00-054007-70231-3](#) [00-054007-70241-2](#) [00-054007-70242-9](#) [00-054007-70244-3](#) [00-054007-70246-7](#) [00-054007-70263-4](#) [00-054007-70288-7](#) [00-054007-70290-0](#) [00-054007-70300-6](#) [00-054007-70304-4](#) [01-2065-1-0216](#) [01-2900-1-04412](#) [00581P0075](#) [600TS-10](#) [60205-1](#) [604200-1](#) [605601-1](#) [60598-1-CUT-TAPE](#) [61314-6-C](#) [61810-3](#) [61-S](#) [61-SN](#) [626-0194](#) [62-NBM-A](#) [62-SN](#) [62-SP](#) [63-S](#) [640179-1](#) [M55155/059I03](#) [M55155/079C01](#) [M55155/099H02](#) [M55155/109H01](#) [M55155/109H02](#) [M55155/12XH05](#) [M55155/16XH02](#) [M55155/29-5S](#)