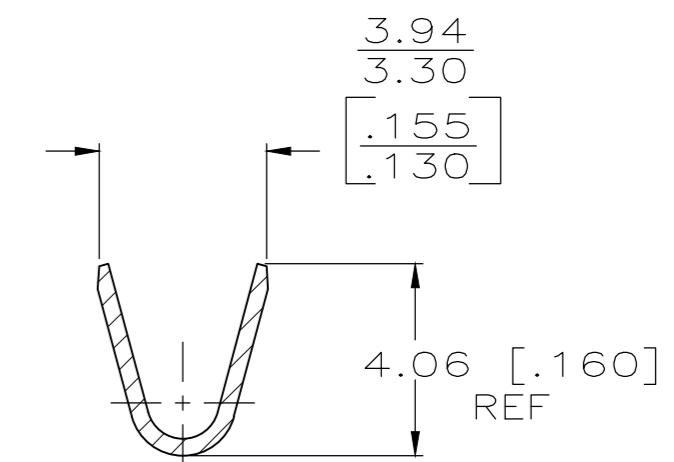
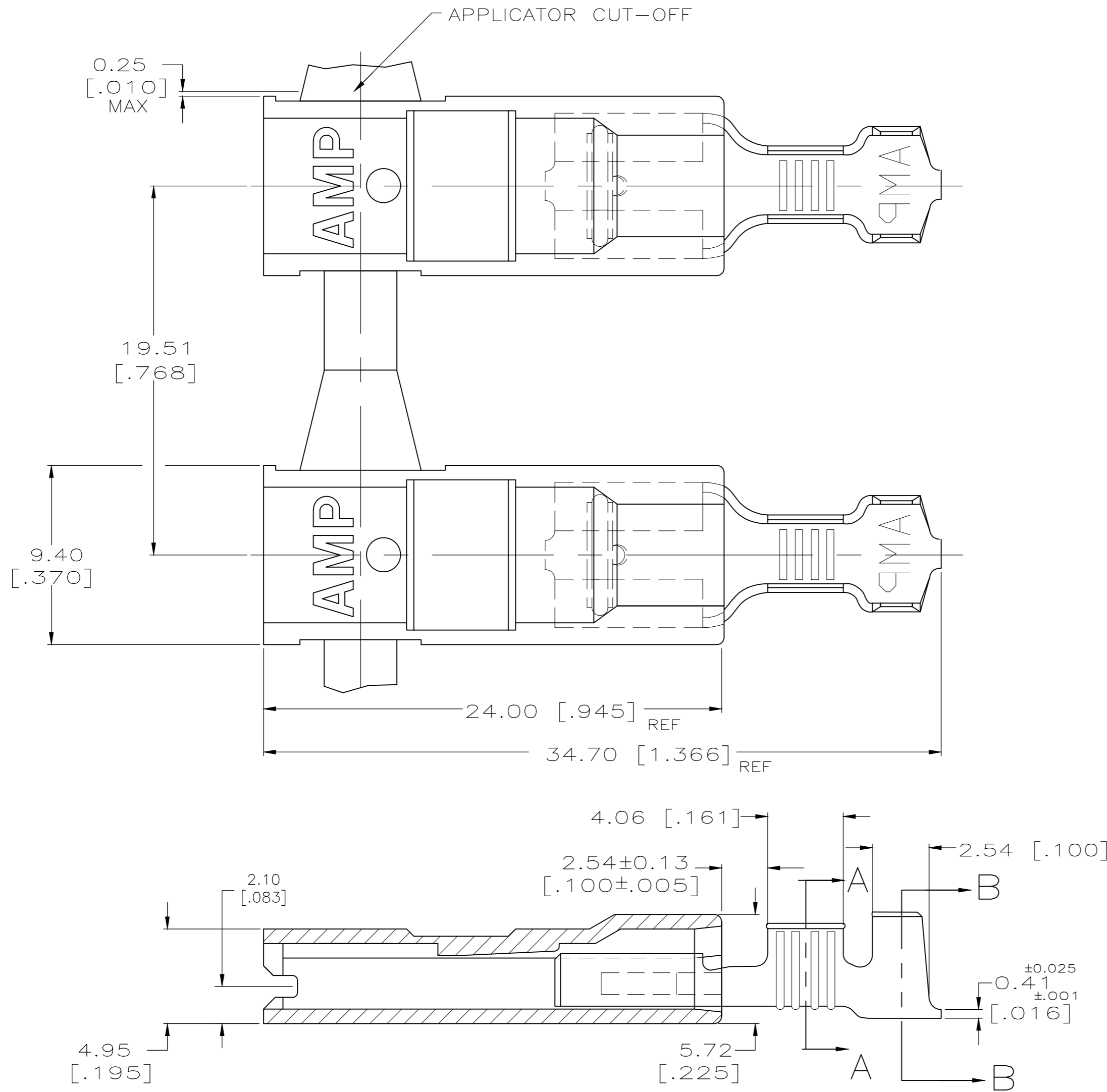


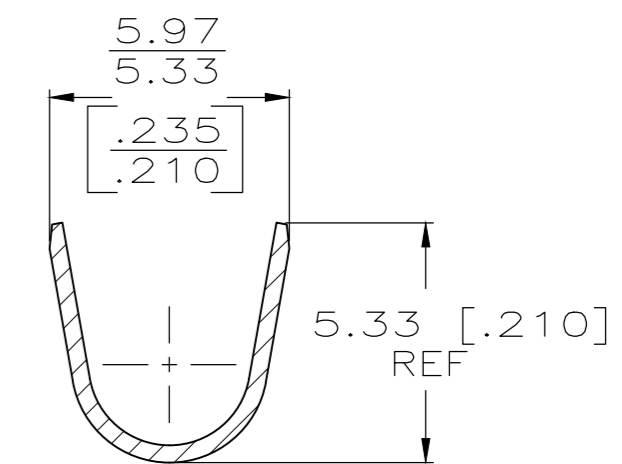
THIS DRAWING IS UNPUBLISHED. RELEASED FOR PUBLICATION
 © COPYRIGHT - By - ALL RIGHTS RESERVED.

REVISIONS					
P	LTR	DESCRIPTION	DATE	DWN	APVD
B1		REVISED PER ECR-18-012712	16AUG2018	BDA	DS

- BUDGET LOW-INSERTION FASTON TERMINALS, BASE P/N 1742971, ARE USED IN THIS PRODUCT.
- WIRE SIZE 0.8-2.0mm [18-14] AWG
- INSULATION RANGE IS 2.79-4.32[.110-.170] DIA.
- MATING TAB THK IS 0.813 ± 0.025 [.032 ± .001].
- OFFERED FOR CONSIDERATION IN APPLICATIONS REQUIRING "NON-DRIP" HOUSING MATERIAL.
- OBsolete PARTS



SECTION A-A



SECTION B-B

PLAIN	66 NYLON V0 NATURAL	1-1969529-1
TIN PLATE	VO, NYLON 66, NATURAL (WHITE)	△ 1969529-2
PLAIN		1969529-1
TERMINAL	HOUSING	PART NO.

SUPERCEDED BY 1-1969529-1

THIS DRAWING IS A CONTROLLED DOCUMENT.		DWN JR RUTH 08MAY12	STE TE Connectivity Ltd.	
DIMENSIONS: mm [INCHES]		CHK RAY LANDON 08MAY12		
TOLERANCES UNLESS OTHERWISE SPECIFIED:		APVD RAY LANDON 08MAY12	NAME	
0 PLC ± -	1 PLC ± -	PRODUCT SPEC 108-1285	ASSEMBLY, ULTRA-POD, RECEPTACLE, 6.35 [.250] SERIES	
2 PLC ± -	3 PLC ± 0.25 [.010]	APPLICATION SPEC 114-2124	SIZE A2	CAGE CODE 00779
4 PLC ± -	ANGLES ± -	WEIGHT	DRAWING NO C=1969529	RESTRICTED TO -
MATERIAL BRASS	FINISH SEE TABLE	CUSTOMER DRAWING	SCALE 5:1	SHEET 1 OF 1
			REV B1	

X-ON Electronics

Largest Supplier of Electrical and Electronic Components

Click to view similar products for [Terminals](#) category:

Click to view products by [TE Connectivity](#) manufacturer:

Other Similar products are found below :

[00-054007-01074-6](#) [00-054007-70206-1](#) [00-054007-70210-8](#) [00-054007-70217-7](#) [00-054007-70226-9](#) [00-054007-70228-3](#) [00-054007-70248-1](#) [00-054007-70256-6](#) [00-054007-70301-3](#) [00-054007-70316-7](#) [00-054007-49560-4](#) [00-054007-70209-2](#) [00-054007-70225-2](#) [00-054007-70227-6](#) [00-054007-70231-3](#) [00-054007-70241-2](#) [00-054007-70242-9](#) [00-054007-70244-3](#) [00-054007-70246-7](#) [00-054007-70263-4](#) [00-054007-70288-7](#) [00-054007-70290-0](#) [00-054007-70300-6](#) [00-054007-70304-4](#) [01-2065-1-0216](#) [01-2900-1-04412](#) [00581P0075](#) [600TS-10](#) [60205-1](#) [604200-1](#) [605601-1](#) [60598-1-CUT-TAPE](#) [61314-6-C](#) [61810-3](#) [61-S](#) [61-SN](#) [626-0194](#) [62-NBM-A](#) [62-SN](#) [62-SP](#) [63-S](#) [640179-1](#) [M55155/059I03](#) [M55155/079C01](#) [M55155/099H02](#) [M55155/109H01](#) [M55155/109H02](#) [M55155/12XH05](#) [M55155/16XH02](#) [M55155/29-5S](#)