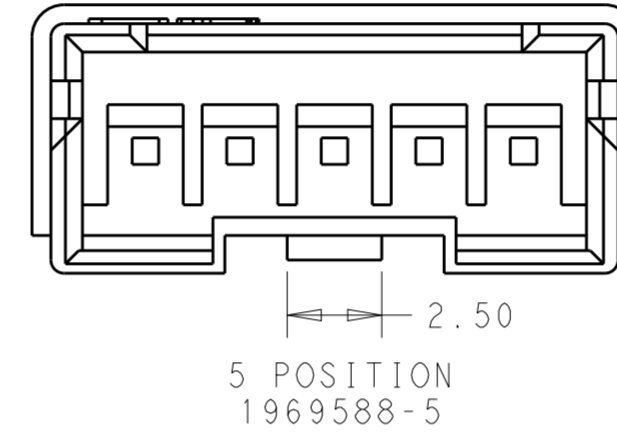
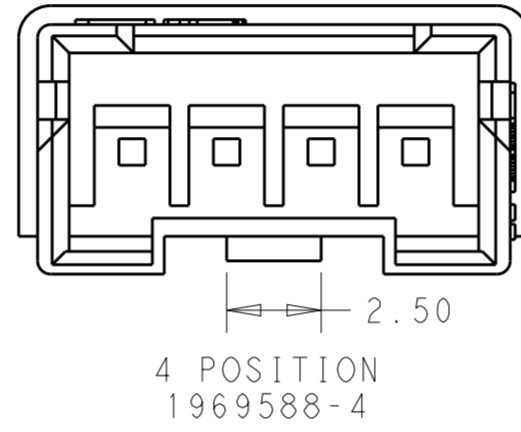
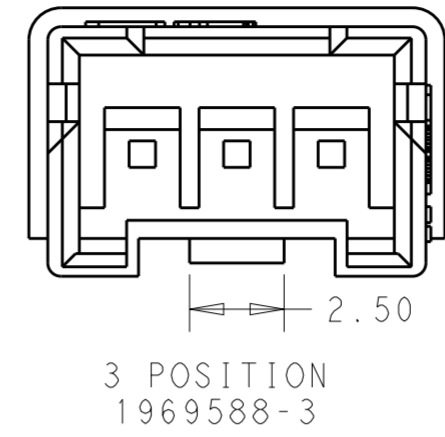
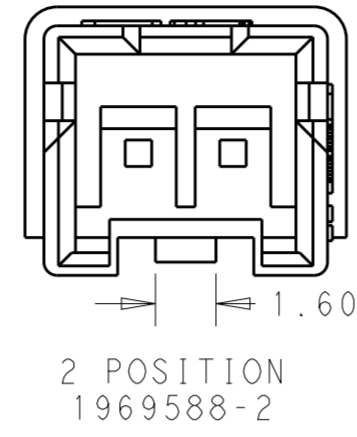
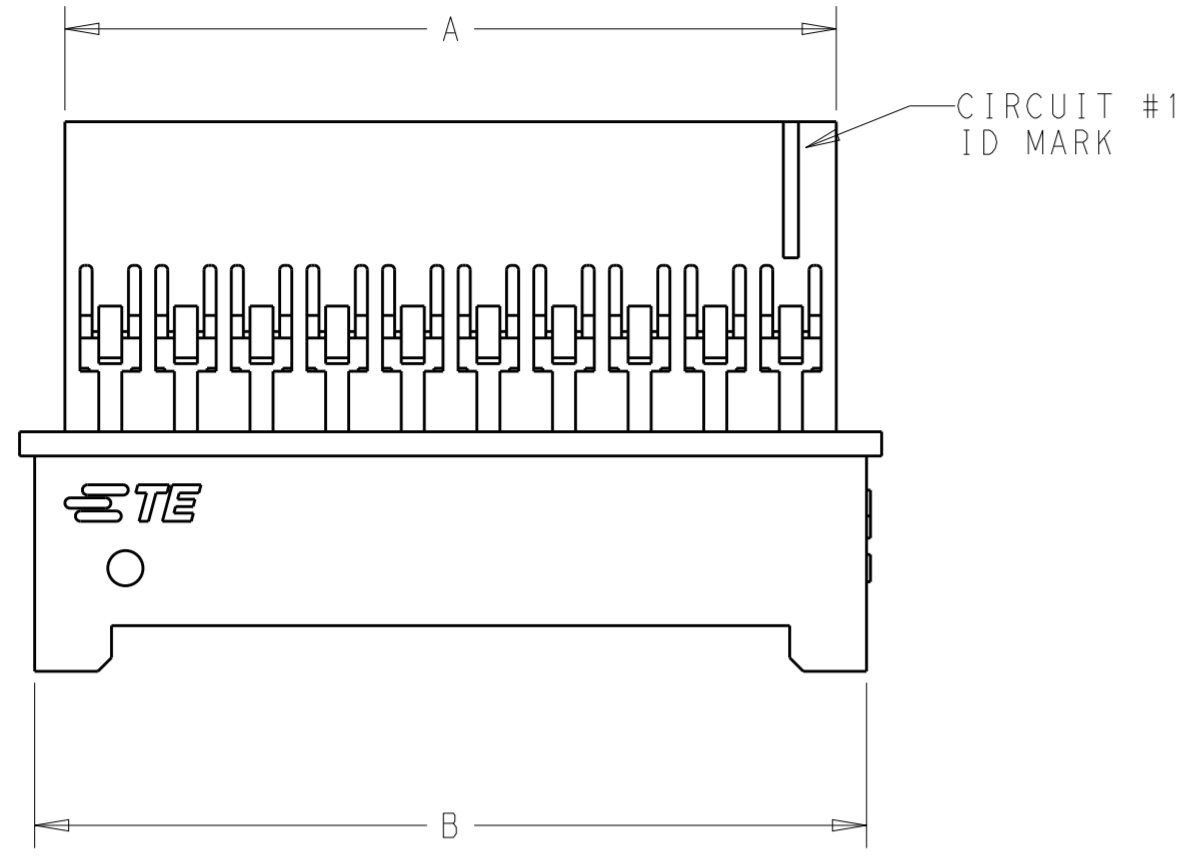
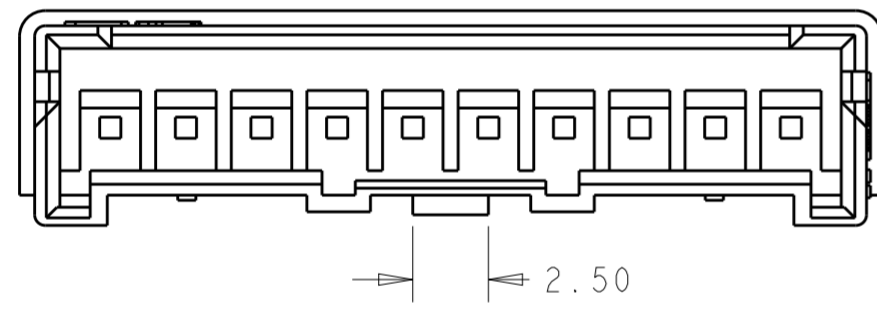


THIS DRAWING IS UNPUBLISHED. RELEASED FOR PUBLICATION
 © COPYRIGHT 20 BY - ALL RIGHTS RESERVED.

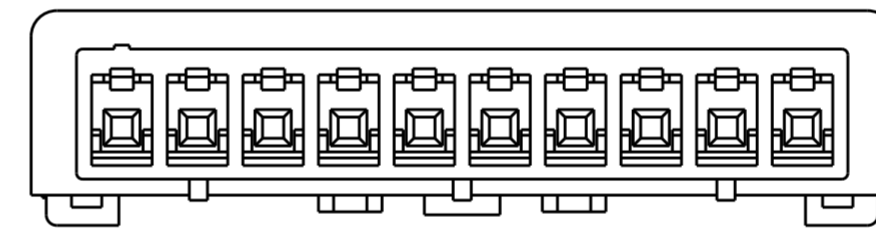
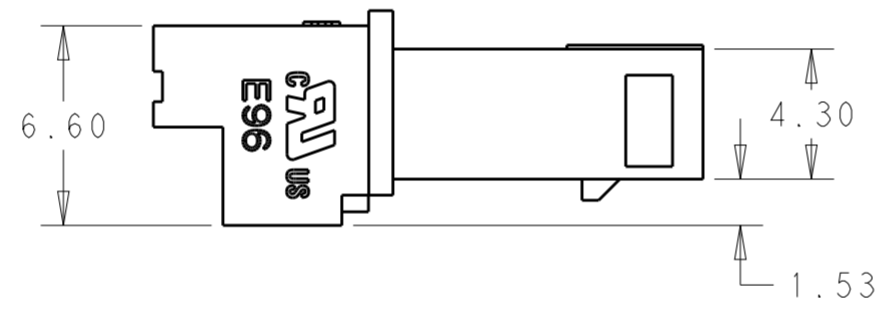
LOC		DIST		REVISIONS			
P	LTR	DESCRIPTION	DATE	DWN	APVD		
B2		REVISED PER ECR-17-007671	05JUN2017	O.C	D.Z		



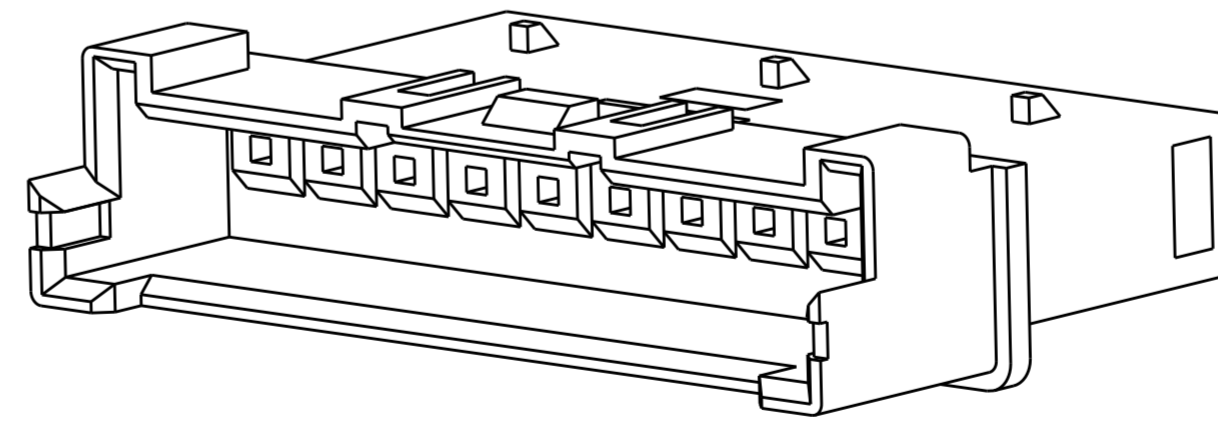
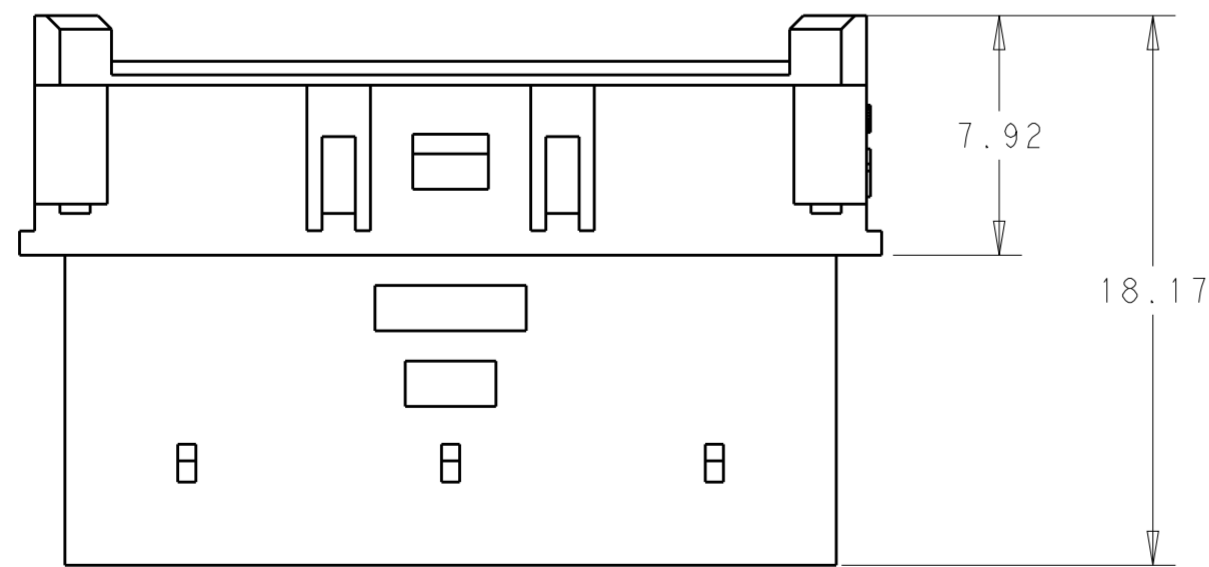
1. MATERIAL: NYLON UL94V-0, COLOR: NATURAL
2. ACCEPTS TE PIN CONTACTS P/N'S 2238007-()
3. HOUSING ACCEPTS OPTIONAL TPA P/N'S 1969443-()
4. MATES WITH TE PLUG HOUSINGS P/N'S 1969442-()



6 - 15 POSITION
1969588-6 TO 1-1969588-5



POS	DIM. B	DIM. A	PART NO.
15	40.00	38.00	1-1969588-5
14	37.50	35.50	1-1969588-4
13	35.00	33.00	1-1969588-3
12	32.50	30.50	1-1969588-2
11	30.00	28.00	1-1969588-1
10	27.50	25.50	1-1969588-0
9	25.00	23.00	1969588-9
8	22.50	20.50	1969588-8
7	20.00	18.00	1969588-7
6	17.50	15.50	1969588-6
5	15.00	13.00	1969588-5
4	12.50	10.50	1969588-4
3	10.00	8.00	1969588-3
2	7.50	5.50	1969588-2



SCALE 5:1

THIS DRAWING IS A CONTROLLED DOCUMENT.		DWN A. NOEL	030C2012	TE Connectivity NAME ECONOMY POWER 2.5, HOUSING WIRE TO WIRE	
DIMENSIONS: mm		CHK -	APVD -		
TOLERANCES UNLESS OTHERWISE SPECIFIED:		APVD -		APPLICATION SPEC 114-13315	RESTRICTED TO -
MATERIAL		WEIGHT -		SIZE A2	CAGE CODE 00779
SEE NOTES		SEE NOTES		DRAWING NO C-1969588	SCALE 3:1
		CUSTOMER DRAWING		SHEET 1	OF 1
				REV B2	

X-ON Electronics

Largest Supplier of Electrical and Electronic Components

Click to view similar products for [Headers & Wire Housings](#) category:

Click to view products by [TE Connectivity](#) manufacturer:

Other Similar products are found below :

[95000-104TRLF](#) [10135584-644402LF](#) [DF62W-EP2022PCA](#) [95000-106TRLF](#) [DF62W-2022SCA](#) [DF62W-EP2022PC](#) [2203348](#) [DF62W-2022SC](#) [1084018](#) [1029039](#) [1084017](#) [802-10-012-10-002000](#) [1112640](#) [1112639](#) [891-007-9SS-BST1T](#) [000-34000](#) [0008550134](#) [0009482033](#) [0009507031](#) [57102-F02-18ULF](#) [57102-S06-03LF](#) [57202-S52-04LF](#) [PCN6-15S-2.5E](#) [0039019024](#) [58102-G61-06LF](#) [582553-1](#) [0009485154](#) [0009508121](#) [0022285053](#) [0050291907](#) [018731A](#) [LY20-4P-DT1-P1E-BR](#) [02.125.8002.8](#) [60101931](#) [60598-1 \(Cut Strip\)](#) [M1625-3R/100](#) [61062-3](#) [61082-181009](#) [CSU011177004](#) [636-1427](#) [638009-1](#) [641938-9](#) [641991-4](#) [644168-1](#) [644827-2](#) [647662-1](#) [65039-019ELF](#) [65692-001LF](#) [65781-018](#) [65781-047](#)