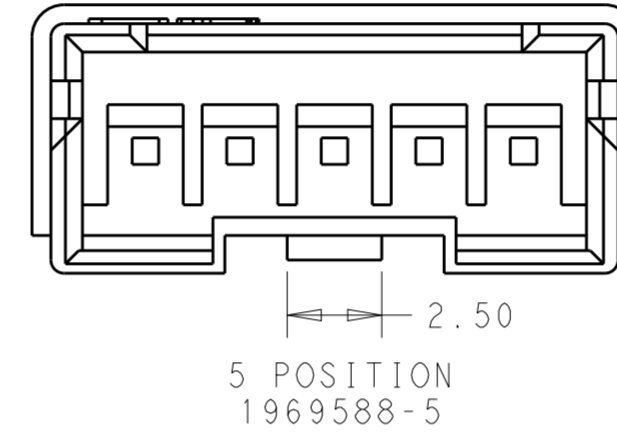
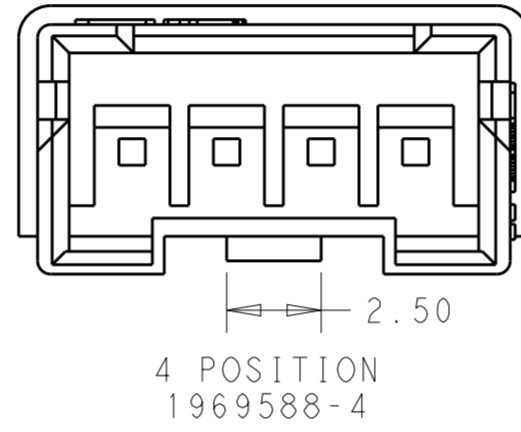
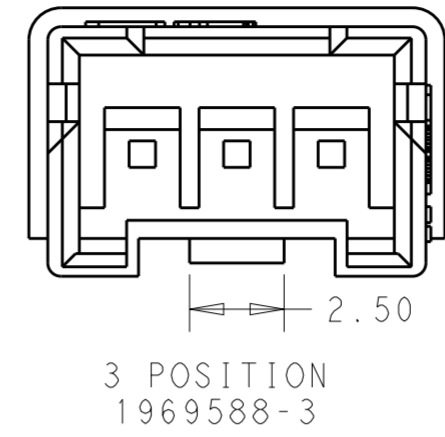
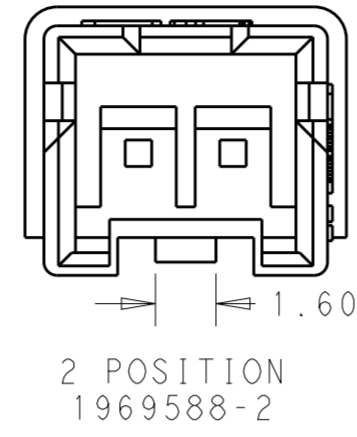
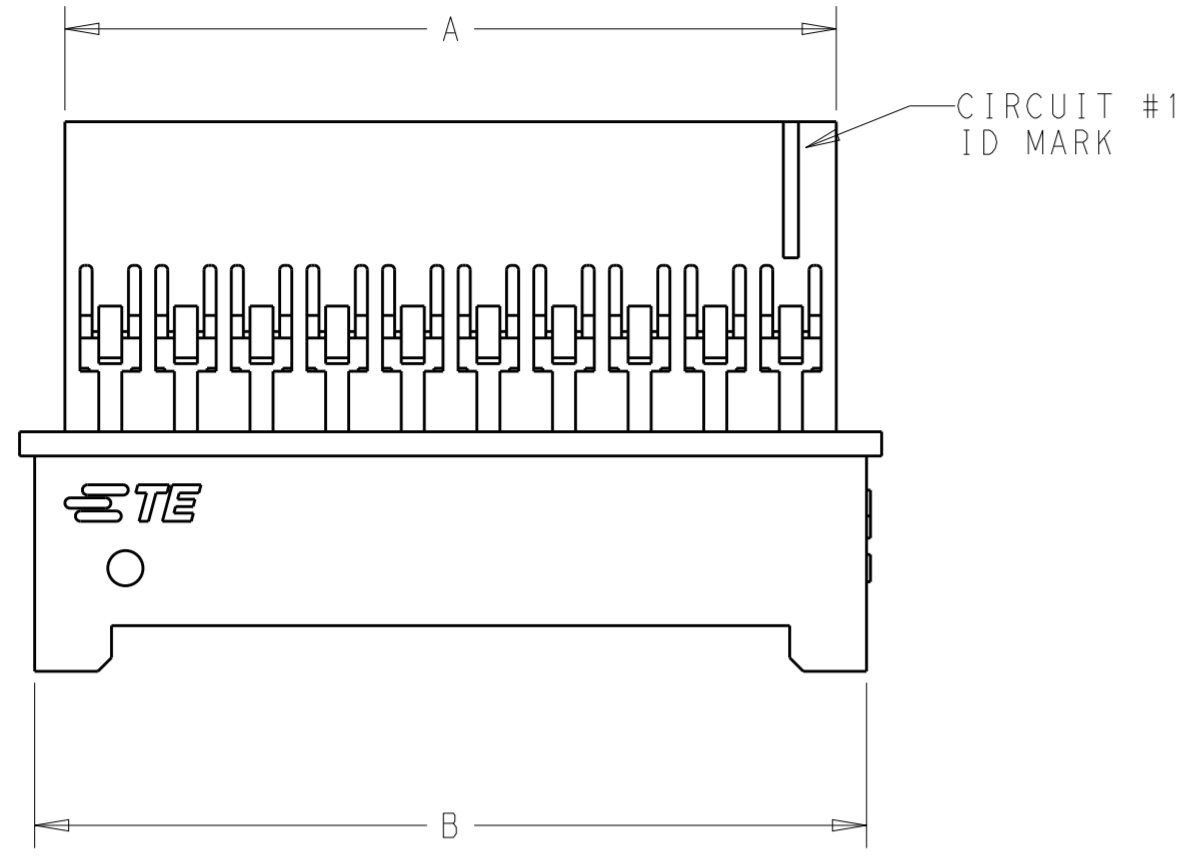
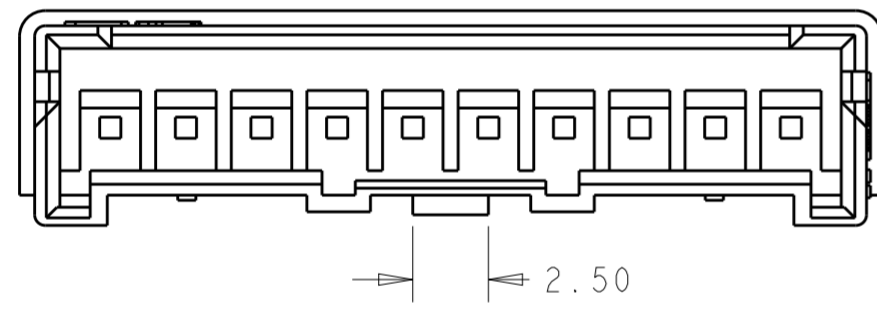


THIS DRAWING IS UNPUBLISHED. RELEASED FOR PUBLICATION
 © COPYRIGHT 20 BY - ALL RIGHTS RESERVED.

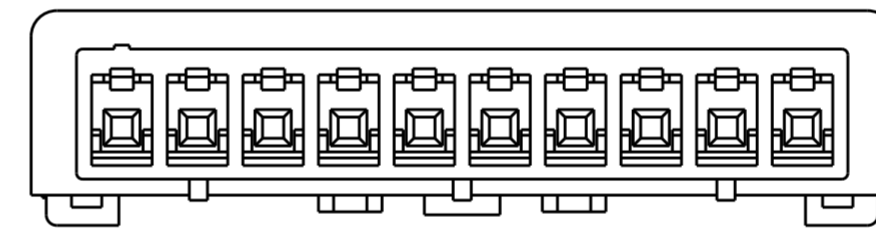
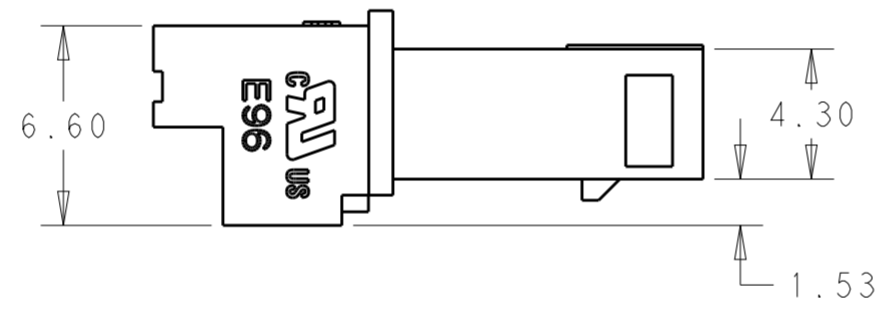
LOC		DIST		REVISIONS			
P	LTR	DESCRIPTION	DATE	DWN	APVD		
B2		REVISED PER ECR-17-007671	05JUN2017	O.C	D.Z		



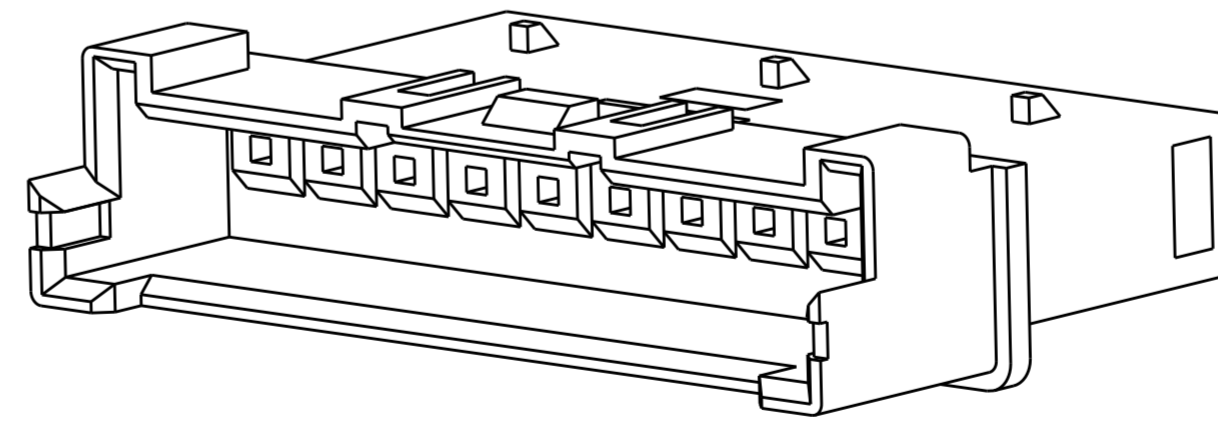
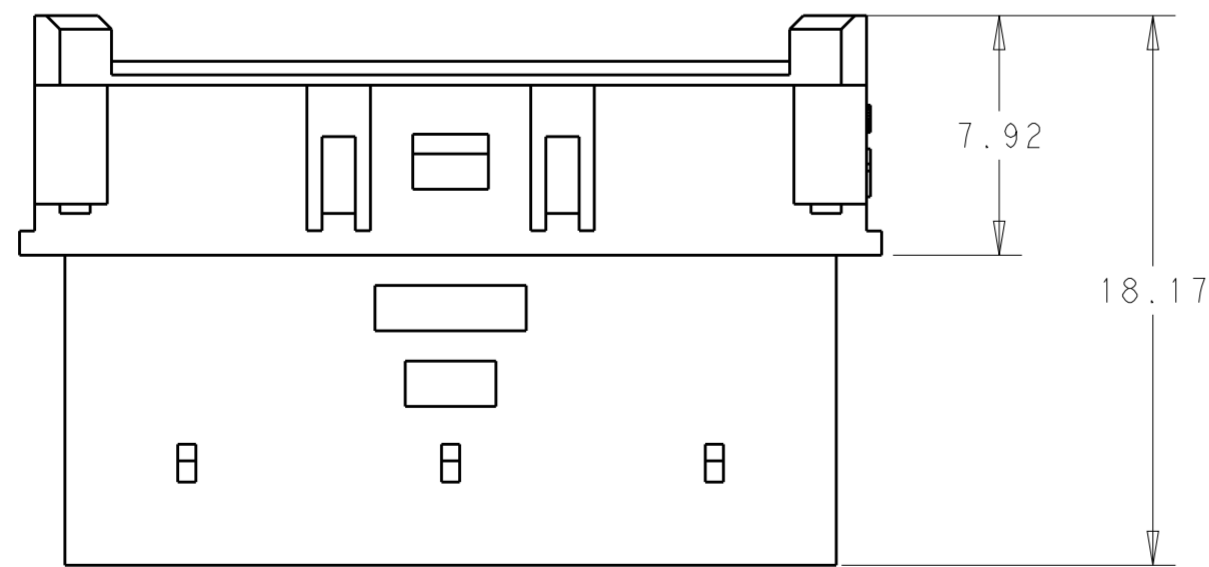
1. MATERIAL: NYLON UL94V-0, COLOR: NATURAL
2. ACCEPTS TE PIN CONTACTS P/N'S 2238007-()
3. HOUSING ACCEPTS OPTIONAL TPA P/N'S 1969443-()
4. MATES WITH TE PLUG HOUSINGS P/N'S 1969442-()



6 - 15 POSITION
1969588-6 TO 1-1969588-5



POS	DIM. B	DIM. A	PART NO.
15	40.00	38.00	1-1969588-5
14	37.50	35.50	1-1969588-4
13	35.00	33.00	1-1969588-3
12	32.50	30.50	1-1969588-2
11	30.00	28.00	1-1969588-1
10	27.50	25.50	1-1969588-0
9	25.00	23.00	1969588-9
8	22.50	20.50	1969588-8
7	20.00	18.00	1969588-7
6	17.50	15.50	1969588-6
5	15.00	13.00	1969588-5
4	12.50	10.50	1969588-4
3	10.00	8.00	1969588-3
2	7.50	5.50	1969588-2



SCALE 5:1

THIS DRAWING IS A CONTROLLED DOCUMENT.		DWN A. NOEL	030C2012	TE Connectivity NAME ECONOMY POWER 2.5, HOUSING WIRE TO WIRE	
DIMENSIONS: mm		CHK -	APVD -		
TOLERANCES UNLESS OTHERWISE SPECIFIED:		APVD -		APPLICATION SPEC 114-13315	RESTRICTED TO -
0 PLC ±		WEIGHT -		SIZE A2	CAGE CODE C-1969588
1 PLC ±		MATERIAL SEE NOTES		SCALE 3:1	
2 PLC ±0.20		CUSTOMER DRAWING		SHEET 1	OF 1
3 PLC ±		SEE NOTES		REV B2	
4 PLC ±					
ANGLES ±					
FINISH ±					

X-ON Electronics

Largest Supplier of Electrical and Electronic Components

Click to view similar products for [Headers & Wire Housings](#) category:

Click to view products by [TE Connectivity](#) manufacturer:

Other Similar products are found below :

[57102-F02-18ULF](#) [58102-G61-06LF](#) [582553-1](#) [009176003701906](#) [01.001.5753.1](#) [0050291907](#) [02.125.8002.8](#) [609-3404](#) [61062-3](#)
[CSU011177004](#) [622-0430](#) [622-3653LF](#) [63453-116](#) [636-1030](#) [636-1427](#) [636-3427](#) [636-4007](#) [641938-9](#) [65495-038](#) [65692-001LF](#) [65781-018](#)
[65781-047](#) [65817-010LF](#) [65817-015LF](#) [66207-023LF](#) [67095-007LF](#) [67601157](#) [68631-112](#) [68645-018](#) [699319-000](#) [70.362.1628.0](#) [70-4210](#)
[70-4226B](#) [70-4853B](#) [707-5020](#) [707-5028](#) [71.350.2428.0](#) [71961-016LF](#) [733-134](#) [733-162](#) [754199-000](#) [760-3052](#) [800-90-001-10-001000](#)
[801-43-002-10-013000](#) [801-43-006-10-002000](#) [803-41-018-10-001000](#) [803-43-024-10-001000](#) [803-93-012-10-001000](#) [8-1437020-4](#)
[819-22-004-30-001101](#)