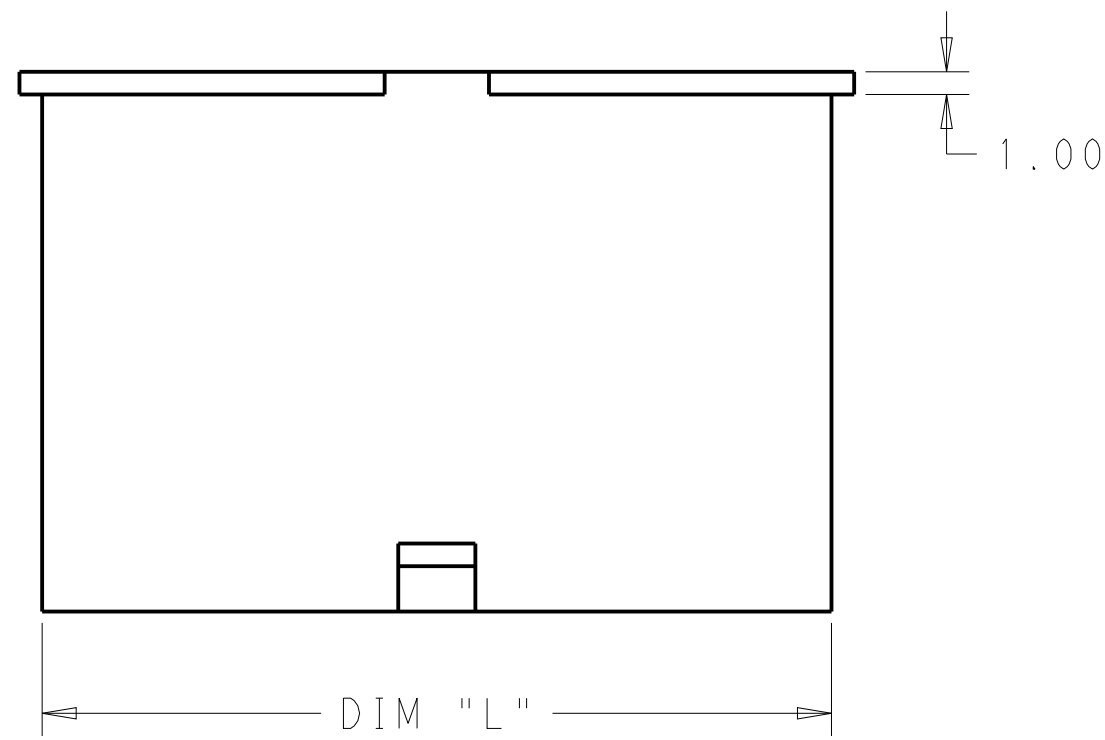
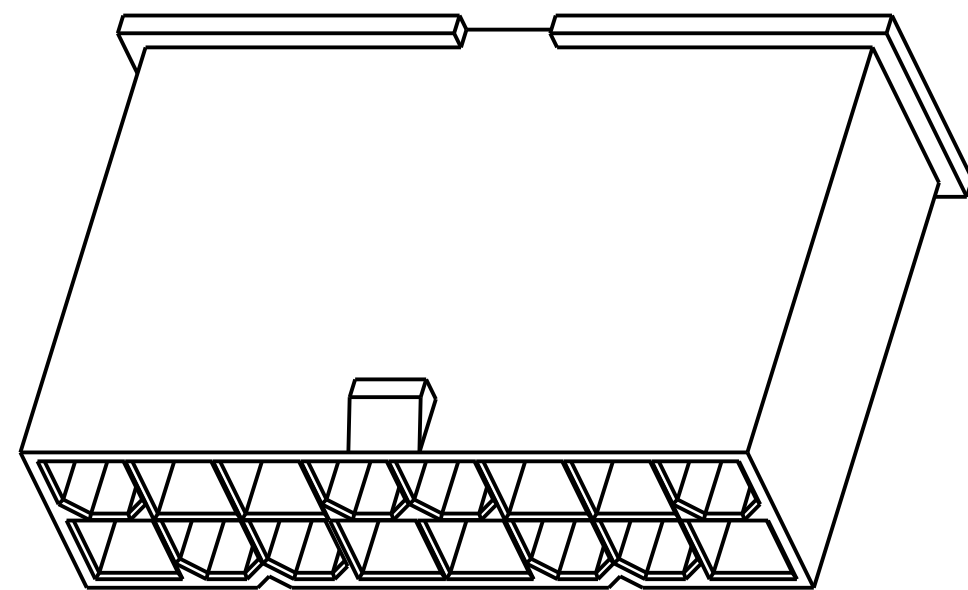
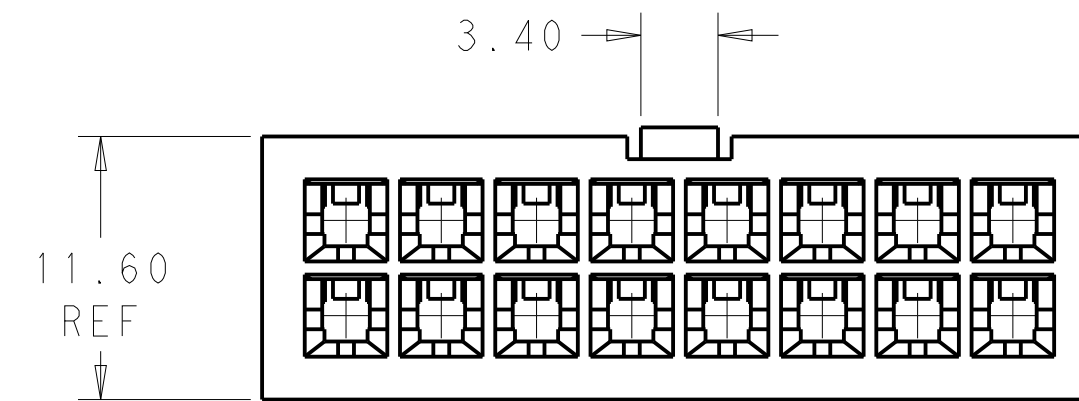
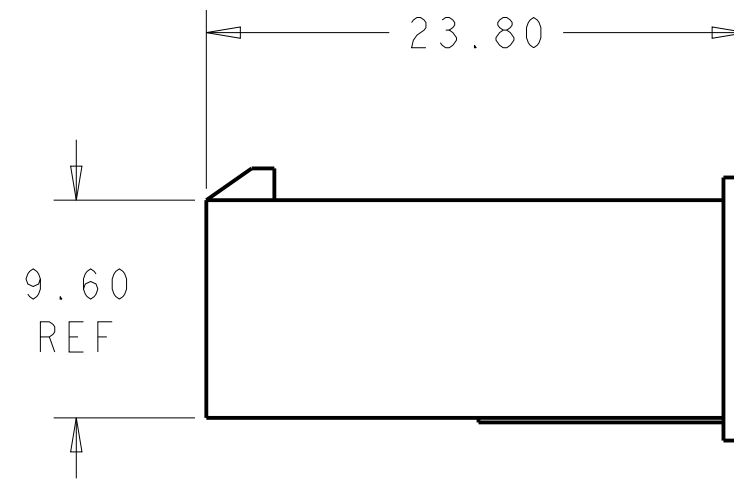
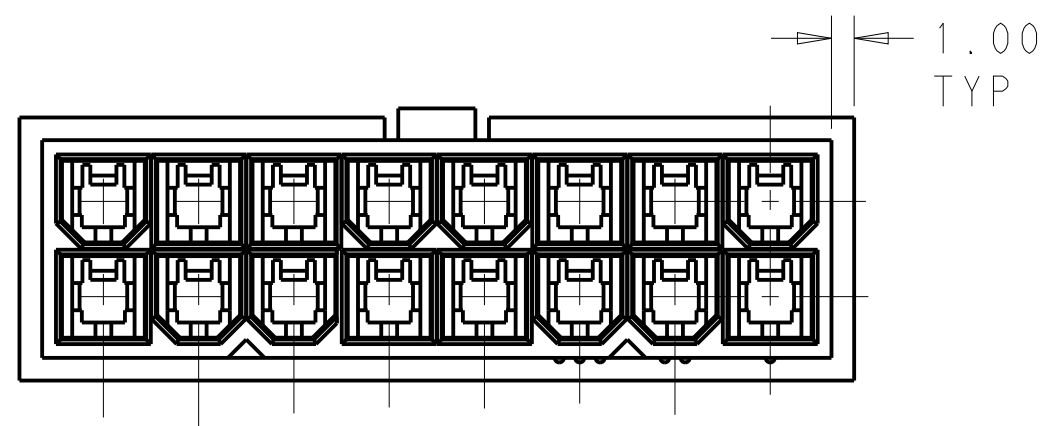


THIS DRAWING IS UNPUBLISHED. RELEASED FOR PUBLICATION 20
 © COPYRIGHT 20 BY - ALL RIGHTS RESERVED.

LOC	DIST	REVISIONS					
AF	-	P	LTR	DESCRIPTION	DATE	DWN	APVD
			A1	REVISED PER ECR-14-004708	28MAR14	JR	KR



- 1 POLYAMIDE, UL94V-2, COLOR- WHITE
- 2 FLAMMABILITY V2 FOR THICKNESS 0.38mm, 1.5mm NAD 3.0mm PER IEC 60695-11-10.
- 3 GLOW-WIRE FLAMMABILITY (GWFI) 800°C FOR THICKNESS 0.38mm AND 0.75mm PER IEC 60695-2-12.
- 4 GLOW-WIRE FLAMMABILITY (GWFI) 960°C FOR THICKNESS 1.5mm AND 3.0mm PER IEC 60695-2-12.
- 5 GLOW-WIRE IGNITION (GWIT) 825°C FOR THICKNESS 0.38mm, 0.75mm, 1.5mm AND 3.0mm PER IEC 60695-2-13.
- 6 COMPLY WITH GLOW WIRE REQUIREMENTS FOR PARTS OF NON-METALLIC MATERIAL SUPPORTING A CURRENT-CARRYING CONNECTION DETAILED IN IEC 60335-1, SECTION 30(GWT).



51.60	24	2-1969604-4
47.40	22	2-1969604-2
43.20	20	2-1969604-0
39.00	18	1-1969604-8
34.80	16	1-1969604-6
30.60	14	1-1969604-4
26.40	12	1-1969604-2
22.20	10	1-1969604-0
18.00	8	1969604-8
13.80	6	1969604-6
9.60	4	1969604-4
5.40	2	1969604-2
DIM L	NO. OF POS	PART NO.

THIS DRAWING IS A CONTROLLED DOCUMENT.

DIMENSIONS:	TOLERANCES UNLESS OTHERWISE SPECIFIED:	DWN	JR RUTH	26SEPT13
mm	0 PLC ±	CHK	KURT RANDOLPH	26SEPT13
	1 PLC ±	APVD	KURT RANDOLPH	26SEPT13
	2 PLC ±0.25	PRODUCT SPEC		
	3 PLC ±	APPLICATION SPEC		
	4 PLC ±	WEIGHT		
	ANGLES ±	Customer Drawing		
	FINISH ±			

STE TE Connectivity

NAME: PLUG HOUSING VAL-U-LOK, GLOW WIRE

SIZE: A2 CAGE CODE: 00779 DRAWING NO: C-1969604 RESTRICTED TO: -

SCALE: 3:1 SHEET 1 OF 1 REV A1

X-ON Electronics

Largest Supplier of Electrical and Electronic Components

Click to view similar products for [Power to the Board](#) category:

Click to view products by [TE Connectivity](#) manufacturer:

Other Similar products are found below :

[6450171-4](#) [6450552-7](#) [6600323-8](#) [6643429-1](#) [6646040-2](#) [6651939-1](#) [6766604-1](#) [120959-1](#) [1393557-2](#) [1393532-2](#) [1393532-3](#) [1393532-4](#)
[1393557-1](#) [1600812-5](#) [1-6450861-2](#) [1744132-7](#) [1761122-1](#) [1766250-1](#) [1892109-1](#) [2-6450860-5](#) [2-6450870-0](#) [1-6450161-4](#) [1-6450850-6](#) [1-6450869-6](#) [1645526-2](#) [1-6600130-0](#) [2005243-2](#) [377-0020-11130](#) [TE34-12-16P-F0](#) [5-6450830-6](#) [5646956-4](#) [377-0080-11131A](#) [4-6450830-9](#)
[4-6600333-3](#) [10125416-4050LF](#) [6600320-3](#) [3-6450860-5](#) [1888123-2](#) [6450166-1](#) [6643978-1](#) [6766605-1](#) [701-15-02109](#) [N11444](#) [6651938-1](#)
[6450810-7](#) [46437-1112](#) [1-1589677-8](#) [5646956-5](#) [6450813-2](#) [6450129-4](#)