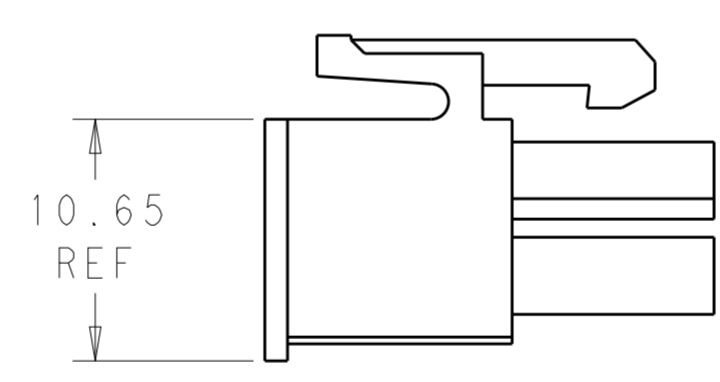
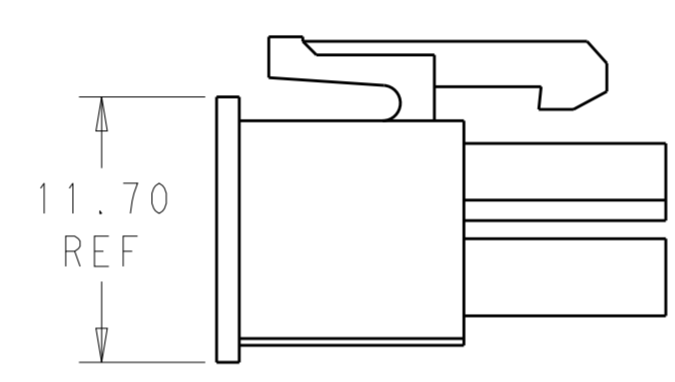
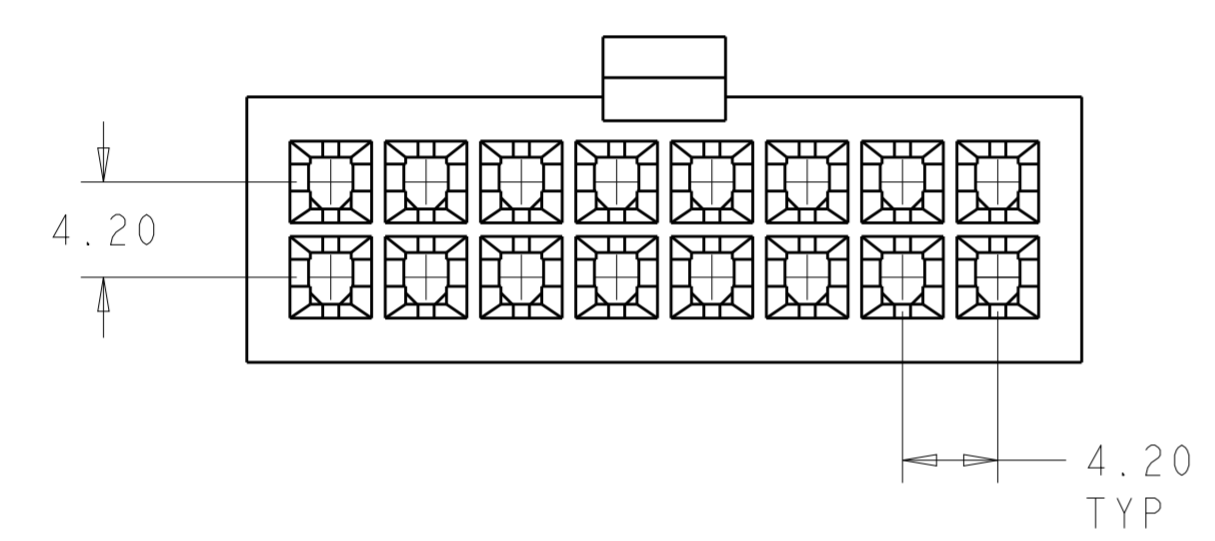
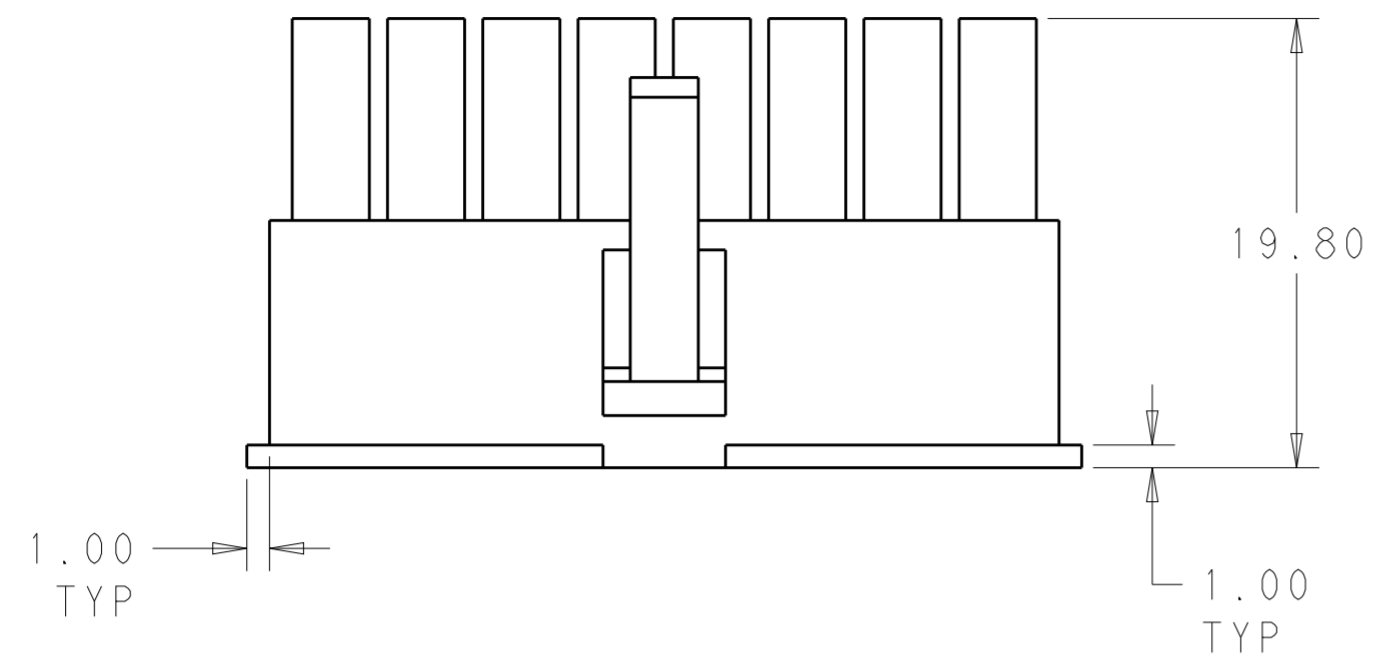
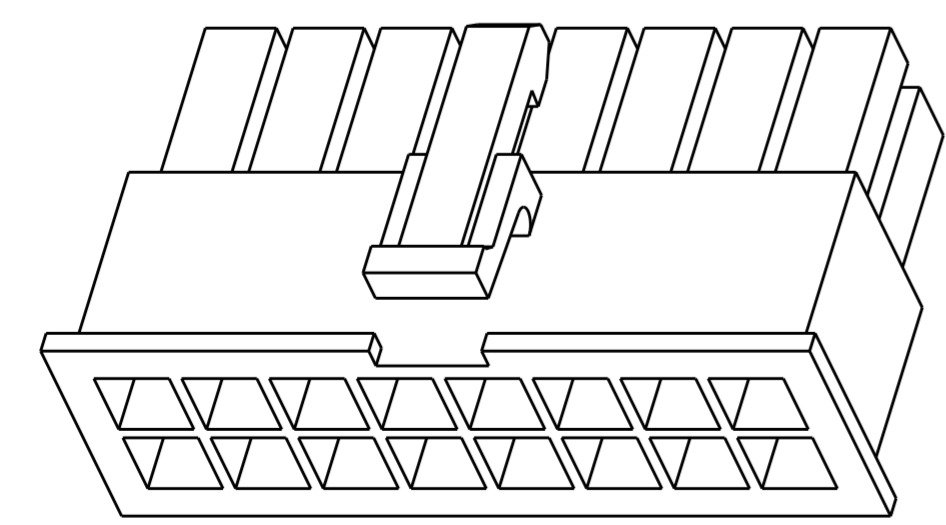
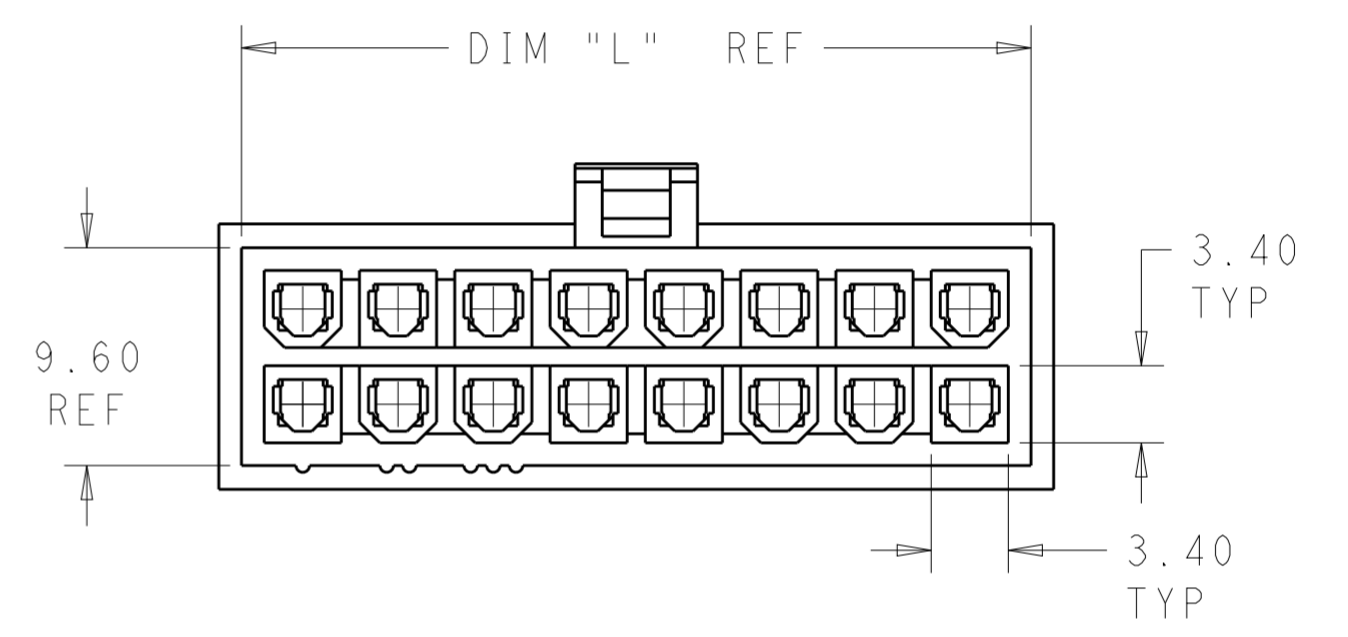


THIS DRAWING IS UNPUBLISHED. RELEASED FOR PUBLICATION 20
 © COPYRIGHT 20 BY - ALL RIGHTS RESERVED.

REVISIONS				DATE	DWN	APVD
P	LTR	DESCRIPTION				
	A1	REVISED PER ECR-15-006926	05MAY15	JR	KR	



SCALE 3:1
FOR -2 PART ONLY



51.60	24	2-1969614-4
47.40	22	2-1969614-2
43.20	20	2-1969614-0
39.00	18	1-1969614-8
34.80	16	1-1969614-6
30.60	14	1-1969614-4
26.40	12	1-1969614-2
22.20	10	1-1969614-0
18.00	8	1969614-8
13.80	6	1969614-6
9.60	4	1969614-4
5.40	2	1969614-2
DIM L	NO. OF POS	PART NO.

THIS DRAWING IS A CONTROLLED DOCUMENT.		DWN	JR RUTH	18JAN13	TE Connectivity	
DIMENSIONS:		CHK	KURT RANDOLPH	18JAN13		
TOLERANCES UNLESS OTHERWISE SPECIFIED:		APVD	KURT RANDOLPH	18JAN13		
mm		PRODUCT SPEC				
0 PLC ± 1 PLC ± 2 PLC ±0.25 3 PLC ± 4 PLC ± ANGLES ±		APPLICATION SPEC			NAME	RECEPTACLE HOUSING, VAL-U-LOK
MATERIAL		WEIGHT			SIZE	A200779
NYLON 6/6, V0		Customer Drawing			CAGE CODE	C-1969614
COLOR-NATURAL		SCALE		3:1	DRAWING NO	
		SHEET		1	RESTRICTED TO	
		OF		1	REV	A1

X-ON Electronics

Largest Supplier of Electrical and Electronic Components

Click to view similar products for [Headers & Wire Housings](#) category:

Click to view products by [TE Connectivity](#) manufacturer:

Other Similar products are found below :

[892-18-020-10-001101](#) [58102-G61-06LF](#) [582553-1](#) [0009485154](#) [009176003701906](#) [0050291907](#) [LY20-4P-DT1-P1E-BR](#) [02.125.8002.8](#)
[609-3404](#) [61062-3](#) [61082-181009](#) [622-3653LF](#) [63453-116](#) [636-1030](#) [636-1427](#) [636-3427](#) [636-4007](#) [641938-9](#) [641991-4](#) [644827-2](#) [65817-](#)
[010LF](#) [65817-015LF](#) [65863-015LF](#) [66207-023LF](#) [67095-007LF](#) [67601157](#) [68645-018](#) [68648-049](#) [70.362.1628.0](#) [70-4210](#) [70-4226B](#) [70-](#)
[4853B](#) [707-5020](#) [707-5028](#) [71.350.2428.0](#) [71918-208LF](#) [71961-016LF](#) [733-134](#) [733-162](#) [754199-000](#) [760-3052](#) [787-8014-00](#) [79531-3000](#)
[FCN-360C032-B](#) [FCN-367T-T012/H](#) [FCN-723D010/2](#) [80.063.4001.1](#) [800-90-001-10-001000](#) [800-90-010-10-002000](#) [801-43-002-10-013000](#)