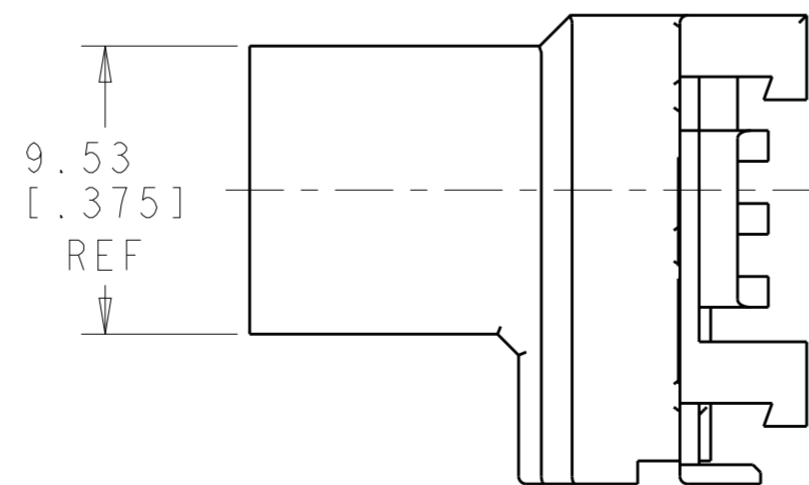
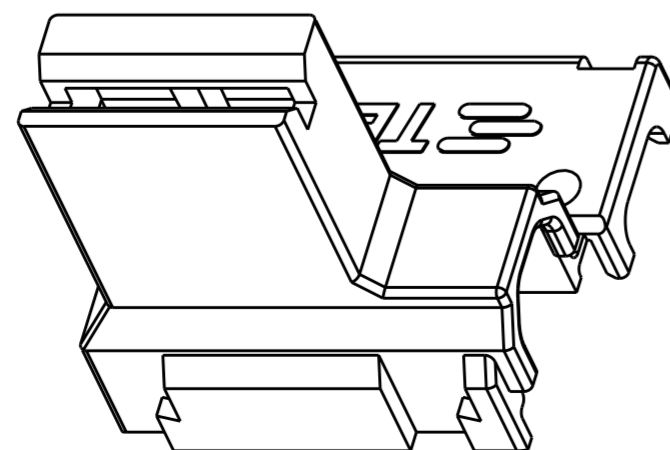
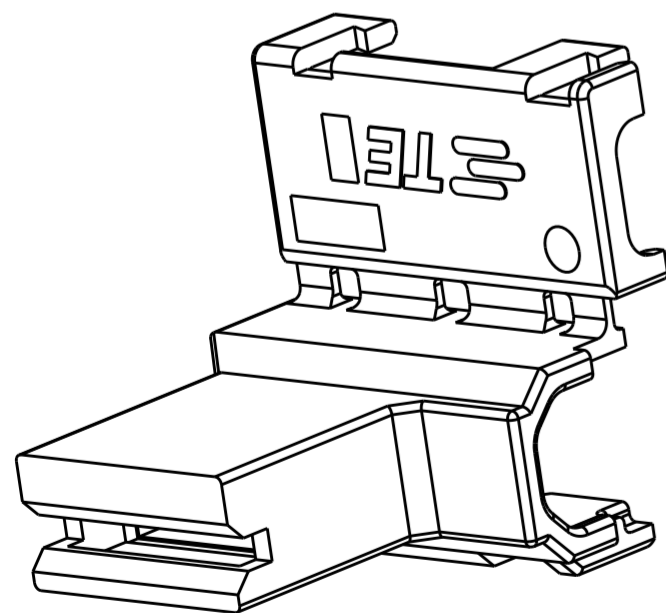
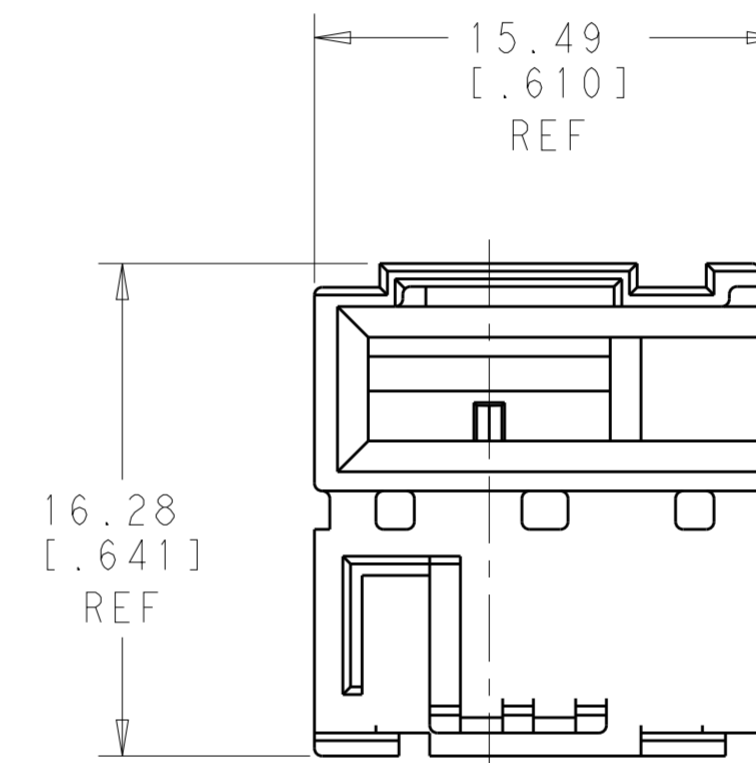
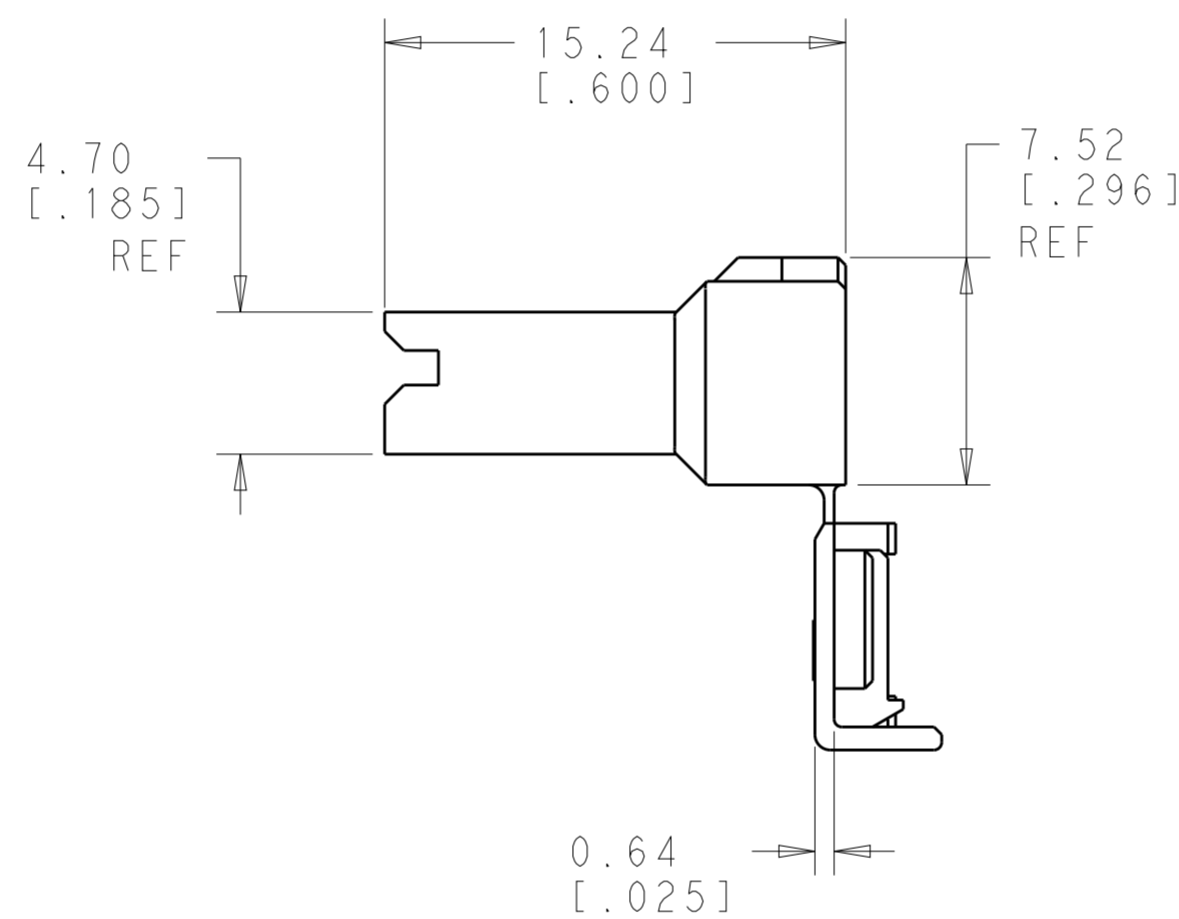
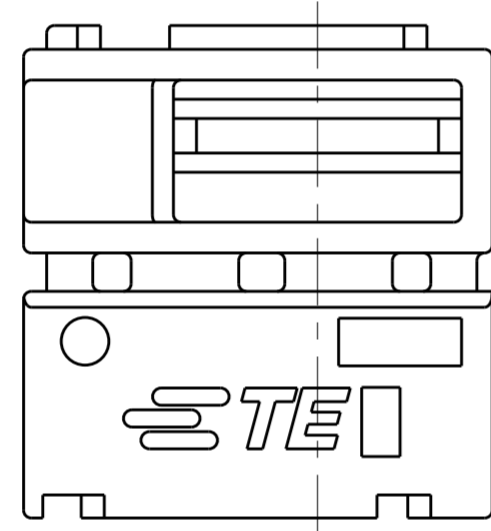
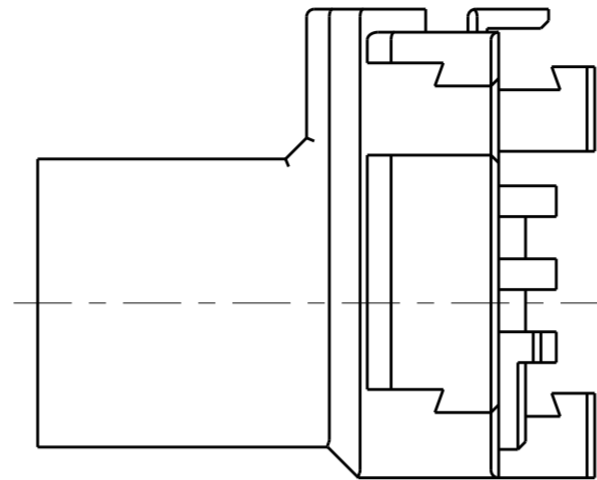


THIS DRAWING IS UNPUBLISHED. RELEASED FOR PUBLICATION
 © COPYRIGHT copyright.d8te- ALL RIGHTS RESERVED.

REVISIONS				
P	LTR	DESCRIPTION	DATE	APVD
B		REVISED PER ECO-18-005718	18APR2018	RS DH
B1		REVISED PER ECR-19-006167	07MAY2019	BDA DH
B2		REVISED PER ECR-19-016225	04OCT2019	BDA DH

- 1 THIS HOUSING ACCEPTS TERMINAL PART NUMBERS 2238209-3, 63538-X, OR 63011-X OR 63009-X.
- 2 IF CRACKS IN THE LIVING HINGE ARE OBSERVED DURING CLOSING THE LID, THIS IS AN INDICATION THAT THE PARTS HAVE BEEN ALLOWED TO DRY-OUT TOO MUCH. RE-MOISTURIZE THE PARTS PER SPECIFICATION 408-143119.

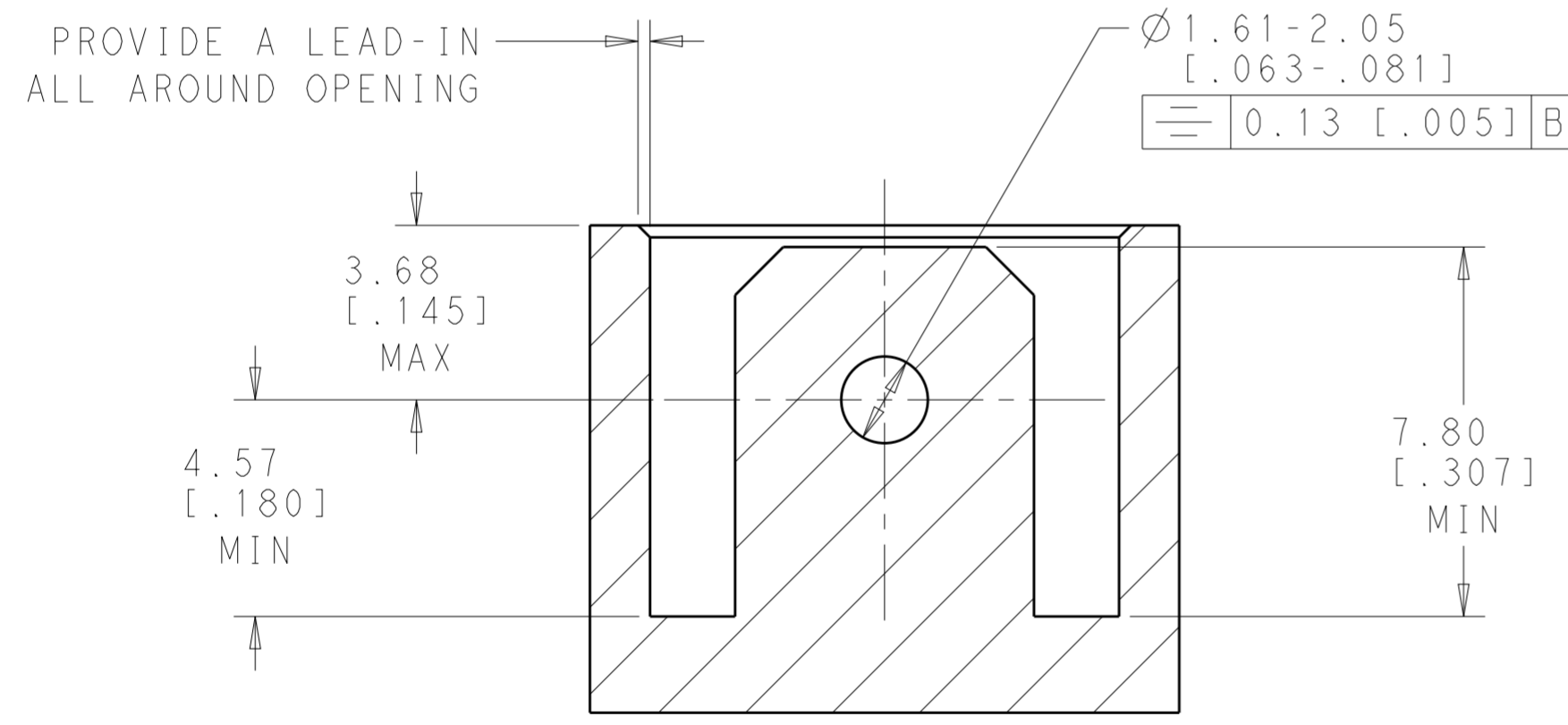
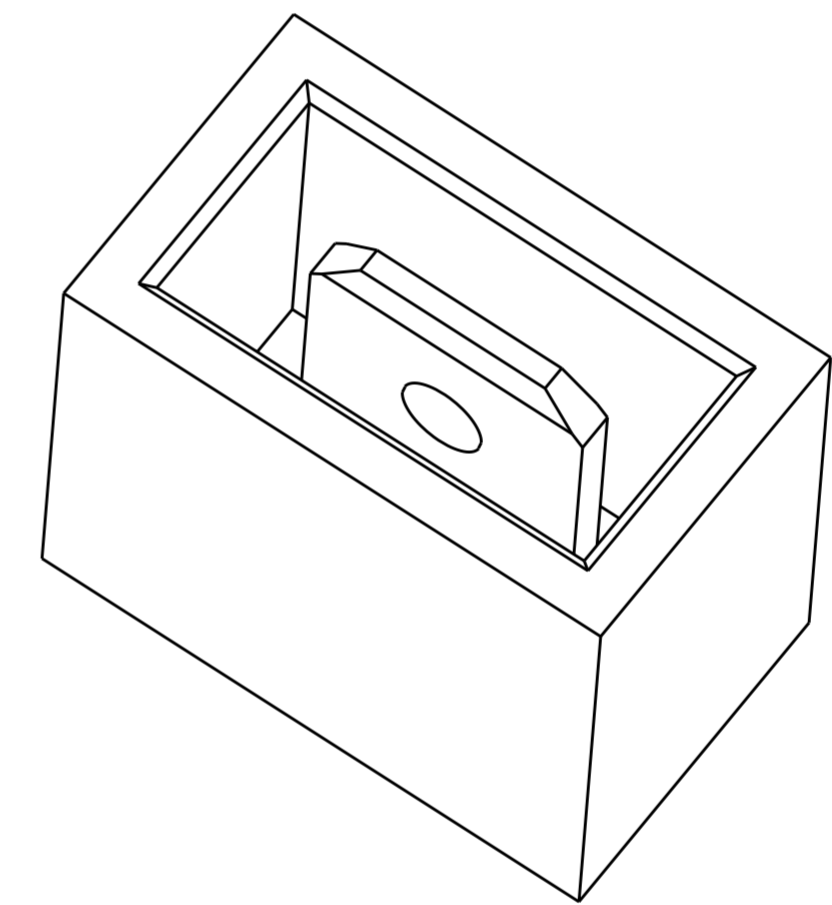
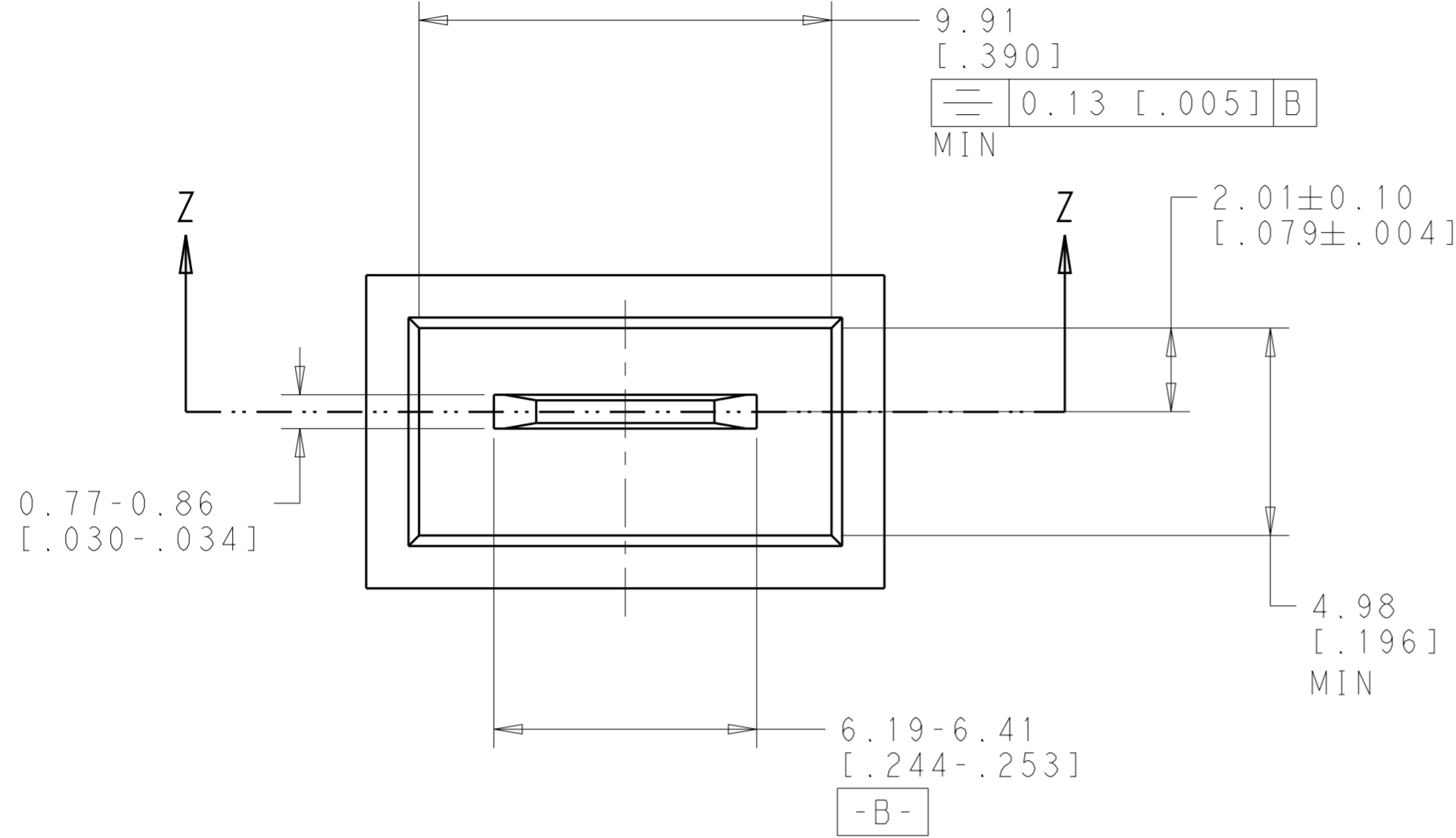


NYLON, UL94V-0, 150°C	1969656-1
MATERIAL	PART NO.

THIS DRAWING IS A CONTROLLED DOCUMENT.		DWN JR RUTH 22OCT13	STE TE Connectivity	
DIMENSIONS: mm [INCHES]		CHK PETE DESANTIS 22OCT13		
TOLERANCES UNLESS OTHERWISE SPECIFIED:		APVD PETE DESANTIS 22OCT13	NAME HOUSING, RECEPTACLE, FLAG FASTON, LEFT HAND	
0 PLC ±		PRODUCT SPEC -	SIZE A2	
1 PLC ±		APPLICATION SPEC -	CAGE CODE -	
2 PLC ±0.25 [.010]		WEIGHT -	DRAWING NO. C-1969656	
3 PLC ±		RESTRICTED TO -		
4 PLC ±		SCALE 4:1 SHEET 1 OF 2 REV B2		
ANGLES ±		CUSTOMER DRAWING		
FINISH COLOR-NATURAL				

THIS DRAWING IS UNPUBLISHED. RELEASED FOR PUBLICATION
 © COPYRIGHT copyright.d8te- ALL RIGHTS RESERVED.

REVISIONS				
P	LTR	DESCRIPTION	DATE	APVD
-		SEE SHEET 1	-	-



SECTION Z-Z

THIS DRAWING IS A CONTROLLED DOCUMENT.		DWN JR RUTH 22OCT13	TE Connectivity	
DIMENSIONS: mm [INCHES]		CHK PETE DESANTIS 22OCT13		
TOLERANCES UNLESS OTHERWISE SPECIFIED:		APVD PETE DESANTIS 22OCT13	NAME HOUSING, RECEPTACLE, FLAG FASTON, LEFT HAND	
0 PLC ±		PRODUCT SPEC	SIZE	
1 PLC ±		APPLICATION SPEC	CAGE CODE	
2 PLC ±0.25 [.010]		WEIGHT	DRAWING NO	
3 PLC ±		CUSTOMER DRAWING	RESTRICTED TO	
4 PLC ±		SCALE 4:1	SHEET 2 OF 2	
ANGLES ±		REV B2		
FINISH				
SEE TABLE COLOR-NATURAL				

X-ON Electronics

Largest Supplier of Electrical and Electronic Components

Click to view similar products for [Terminals](#) category:

Click to view products by [TE Connectivity](#) manufacturer:

Other Similar products are found below :

[00-054007-01074-6](#) [00-054007-70206-1](#) [00-054007-70210-8](#) [00-054007-70217-7](#) [00-054007-70226-9](#) [00-054007-70228-3](#) [00-054007-70248-1](#) [00-054007-70256-6](#) [00-054007-70301-3](#) [00-054007-70316-7](#) [00-054007-49560-4](#) [00-054007-70209-2](#) [00-054007-70225-2](#) [00-054007-70227-6](#) [00-054007-70231-3](#) [00-054007-70241-2](#) [00-054007-70242-9](#) [00-054007-70244-3](#) [00-054007-70246-7](#) [00-054007-70263-4](#) [00-054007-70288-7](#) [00-054007-70290-0](#) [00-054007-70300-6](#) [00-054007-70304-4](#) [01-2065-1-0216](#) [01-2900-1-04412](#) [00581P0075](#) [600TS-10](#) [60205-1](#) [604200-1](#) [605601-1](#) [60598-1-CUT-TAPE](#) [61314-6-C](#) [61810-3](#) [61-S](#) [61-SN](#) [626-0194](#) [62-NBM-A](#) [62-SN](#) [62-SP](#) [63-S](#) [640179-1](#) [M55155/059I03](#) [M55155/079C01](#) [M55155/099H02](#) [M55155/109H01](#) [M55155/109H02](#) [M55155/12XH05](#) [M55155/16XH02](#) [M55155/29-5S](#)