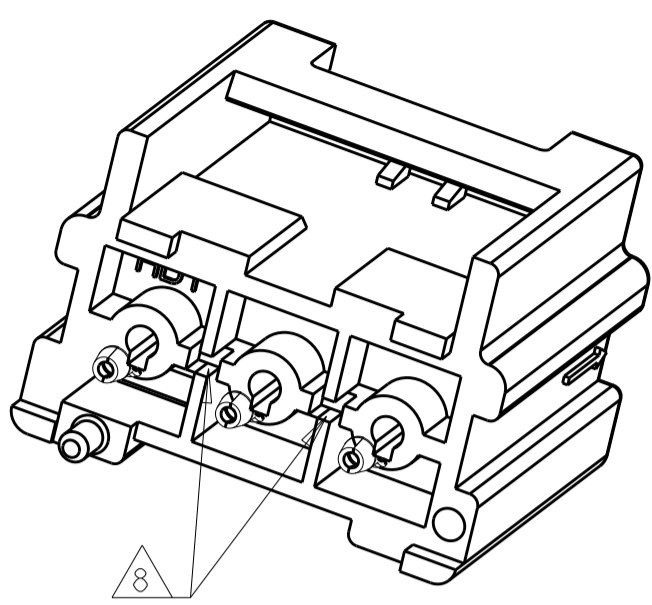
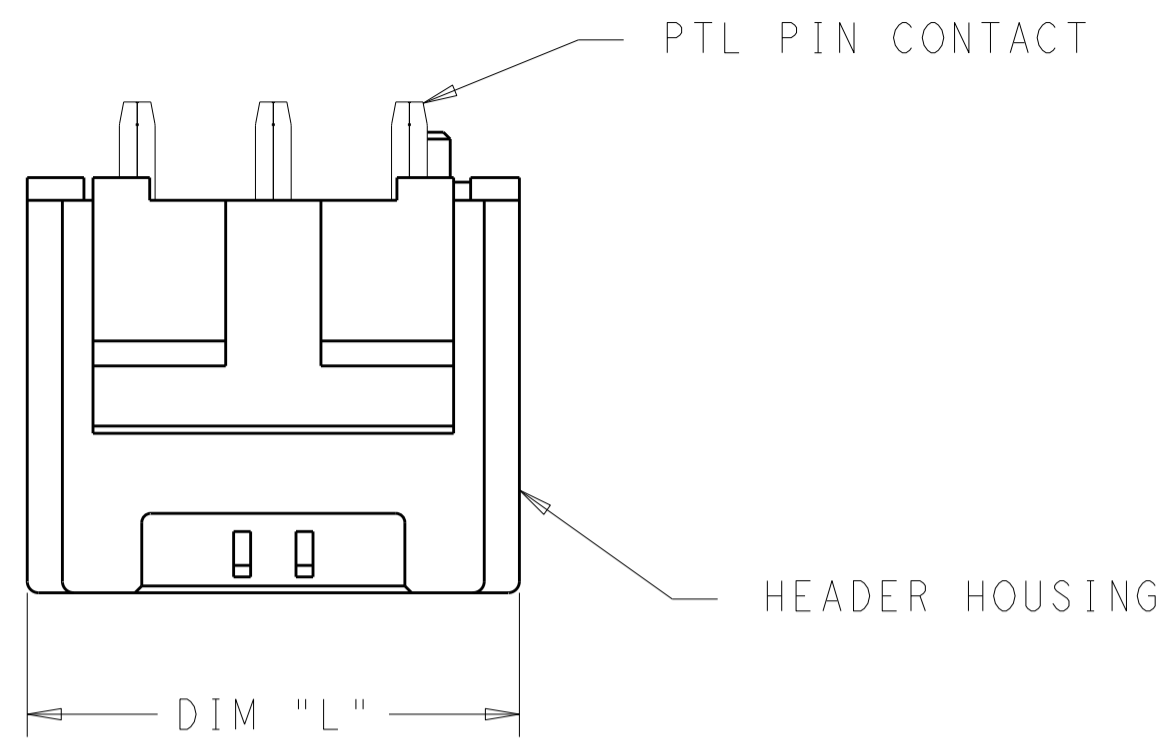
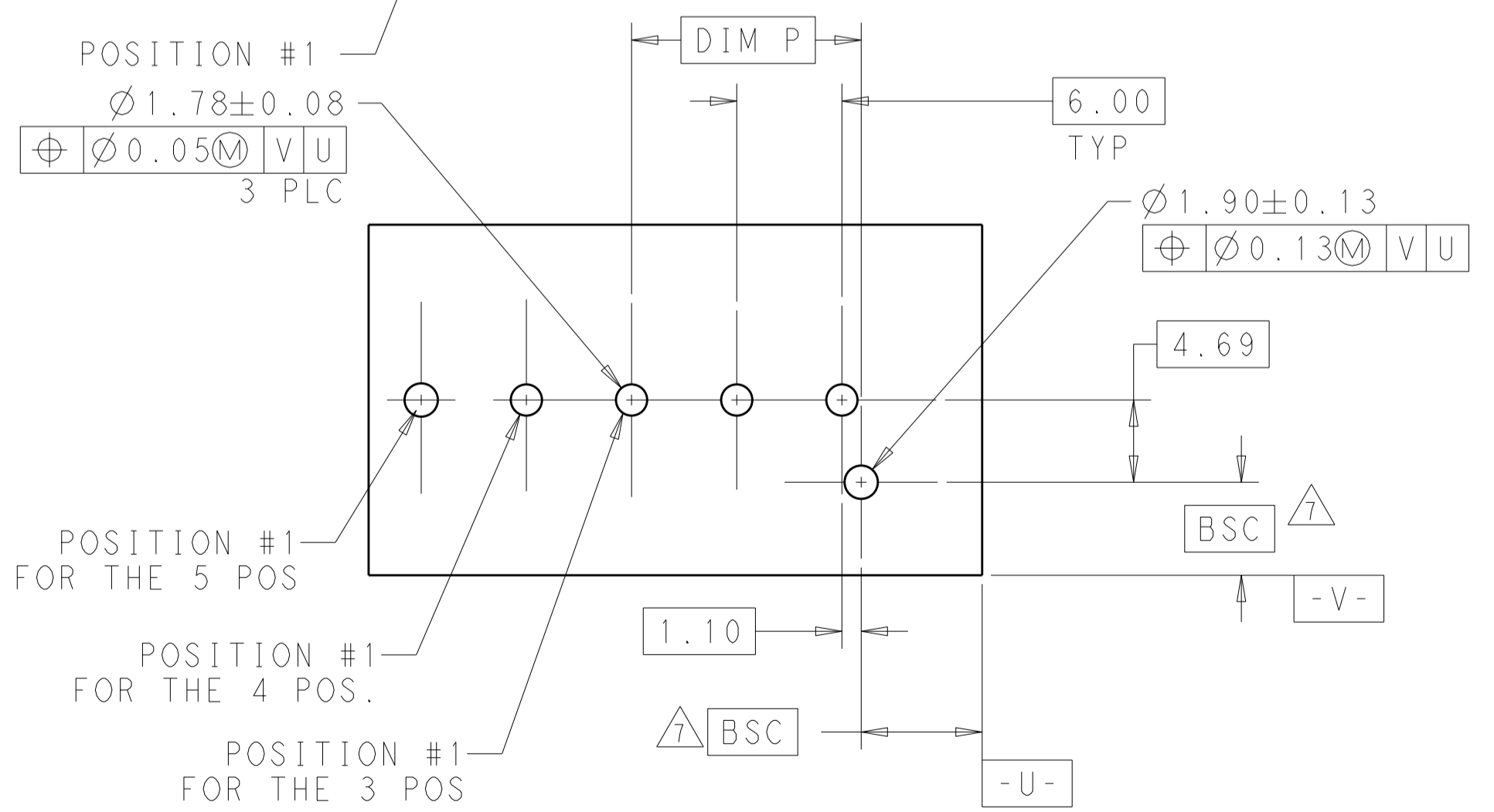
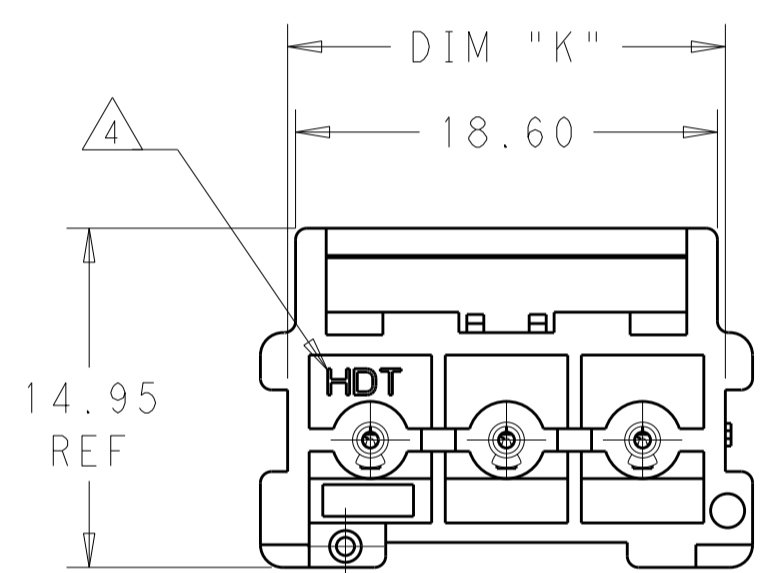
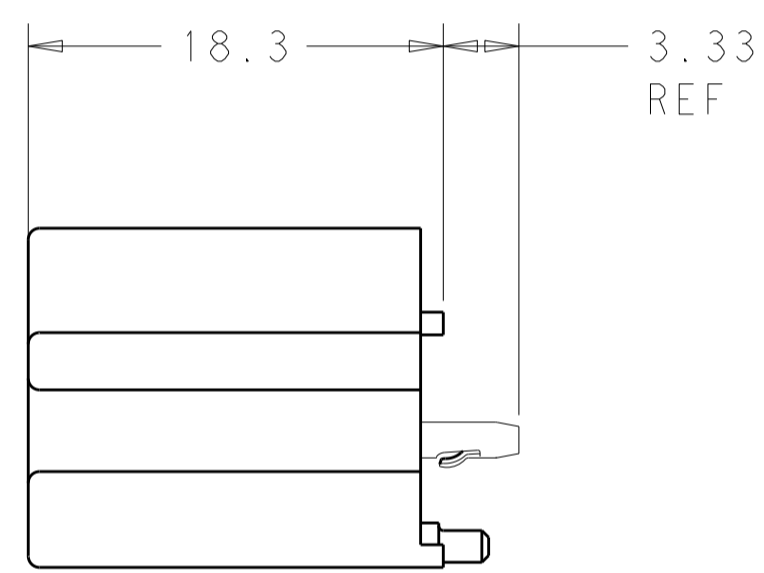
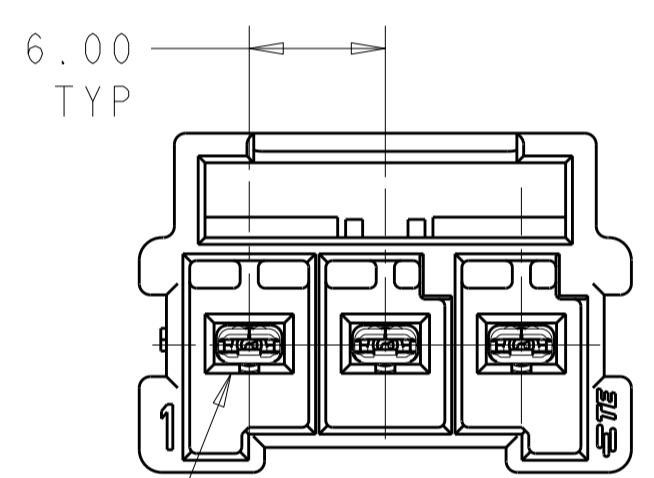


THIS DRAWING IS UNPUBLISHED. RELEASED FOR PUBLICATION  
 © COPYRIGHT copyright\_dBTe- ALL RIGHTS RESERVED.

REVISIONS					
P	LTR	DESCRIPTION	DATE	DWN	APVD
B2		REVISED PER ECR-18-011580	24JUL2018	BKW	GJ
B3		REVISED PER ECR-19-009496	17JUN2019	BKW	GJ
B4		REVISED PER ECR-19-009923	03JUL2019	BKW	DS
C		REVISED PER ECR-19-014974	30OCT2019	PC	DS



- 1 REFER TO TABLE ON SHEET 3 FOR RECOMMENDED MATING PLUG.
- 2 CAN BE SECURED TO THE PLUG WITH OPTIONAL CPA P/N 1971789-1.
- 3 FLAMMABILITY RATED PER UL 94 V-0.
- △ 4 LEVEL INDICATOR: PBT = STANDARD TEMP/105°C PBT GLASS FILLED  
HDT = HIGH TEMP 150°C NYLON PA66 UNFILLED
- 5 PARTS COMPLY WITH SOLDERABILITY SPEC TEC-109-11-11-1.
- 6 THIS PRODUCT HAS NOT COMPLETED VALIDATION TESTING.
- △ 7 DATUM AND BASIC DIMENSION ESTABLISHED BY CUSTOMER.
- △ 8 FEATURE MAY NOT BE PRESENT ON HIGH TEMP VERSIONS
- △ 9 GLOW WIRE COMPLIANT IN ACCORDANCE WITH IEC 60335-1. THIS IS BASED ON THE PRODUCT MEETING A GWEPT 850°C TEST AND RESIN GWIT GREATER THAN OR EQUAL TO 775°C .



POSITION #1 FOR THE 5 POS

POSITION #1 FOR THE 4 POS.

POSITION #1 FOR THE 3 POS

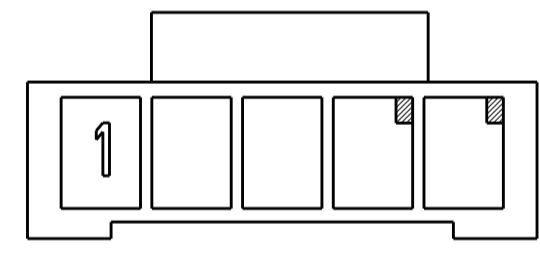
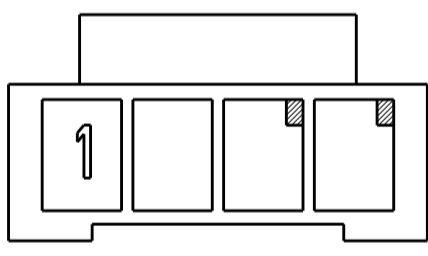
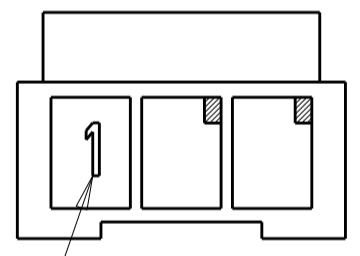
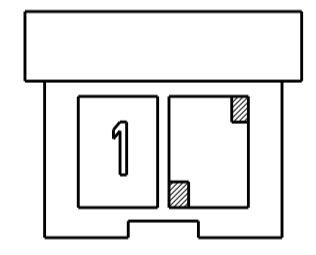
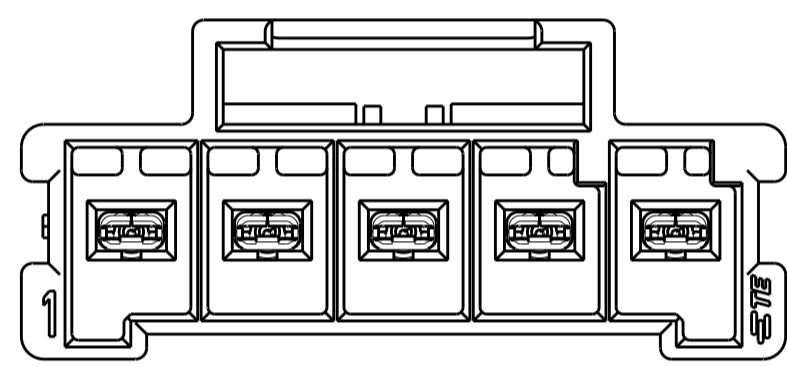
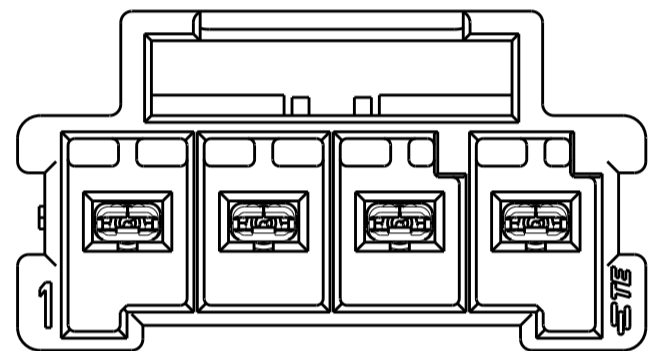
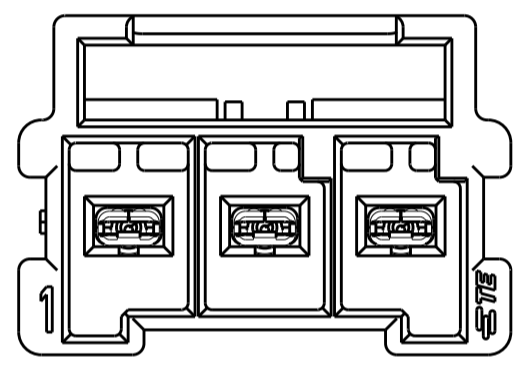
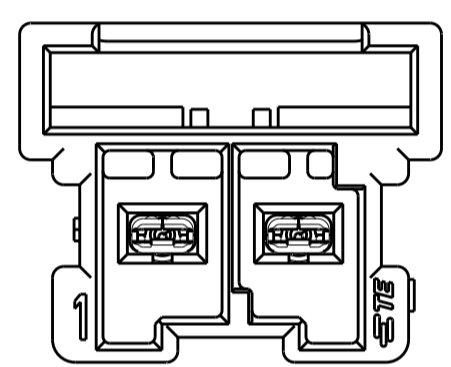
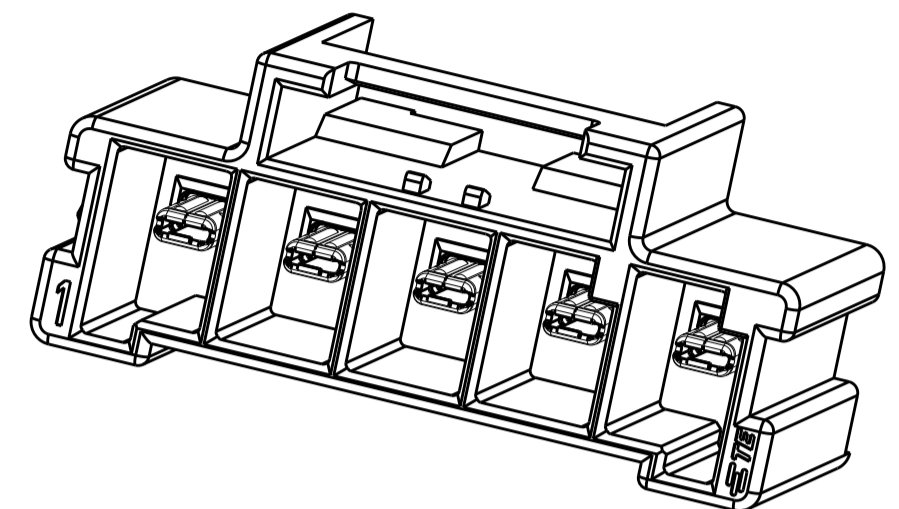
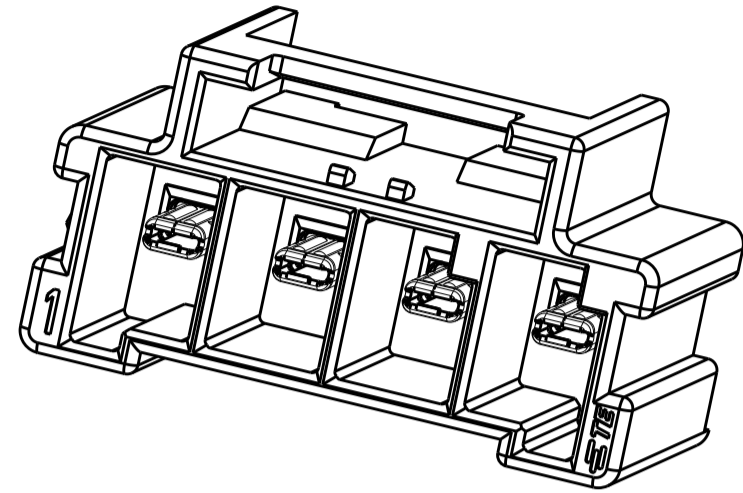
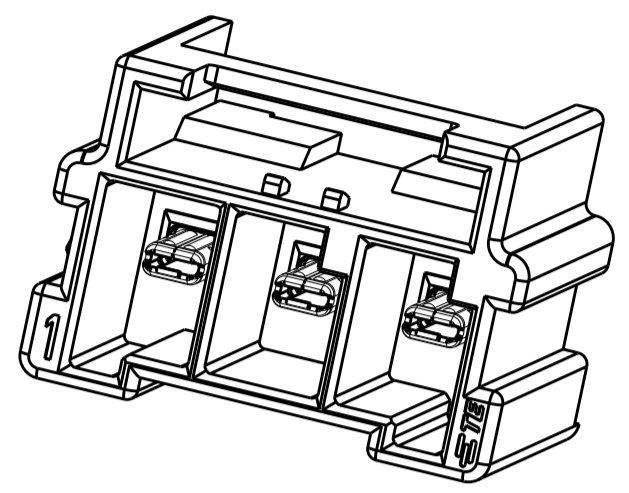
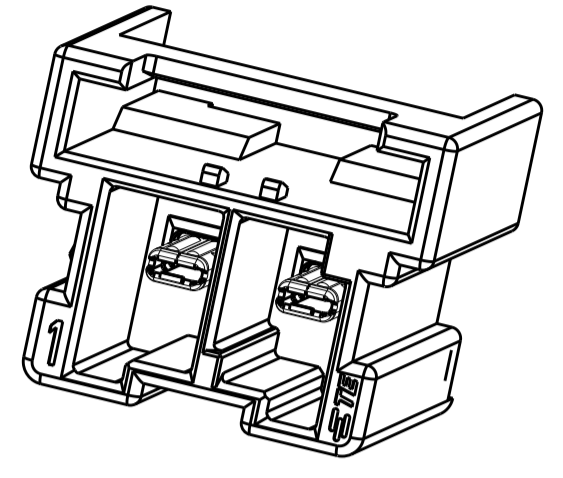
SCALE 3:1  
 RECOMMENDED PCB LAYOUT  
 WITH A 1.58 THK BOARD

SEE SHEET 3 FOR PART NUMBER TABLE

THIS DRAWING IS A CONTROLLED DOCUMENT.		DWN JR RUTH 05JUN14	TE Connectivity	
DIMENSIONS: mm		CHK DOMINIC FAROLE 05JUN14		
TOLERANCES UNLESS OTHERWISE SPECIFIED:		APVD GENE JACONO 05JUN14	NAME ASSEMBLY, HEADER, POWER TRIPLE LOCK, PC BOARD	
0 PLC ±		PRODUCT SPEC 108-32090	SIZE A2	
1 PLC ±0.3		APPLICATION SPEC 114-32136	CAGE CODE -	
2 PLC ±0.25		WEIGHT -	DRAWING NO C-1969688	
3 PLC ±			RESTRICTED TO -	
4 PLC ±			SCALE 3:1 SHEET 1 OF 3 REV C	
ANGLES ±				
FINISH PRE-TIN		Customer Drawing		

THIS DRAWING IS UNPUBLISHED. RELEASED FOR PUBLICATION  
 © COPYRIGHT copyright\_d8Te- ALL RIGHTS RESERVED.

REVISIONS					
P	LTR	DESCRIPTION	DATE	DWN	APVD
-		SEE SHEET 1			

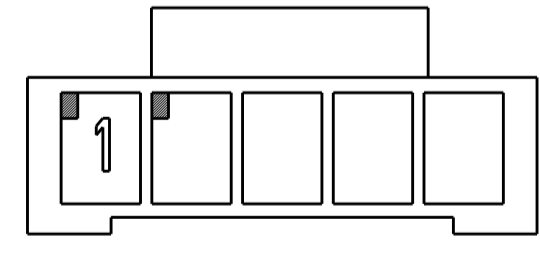
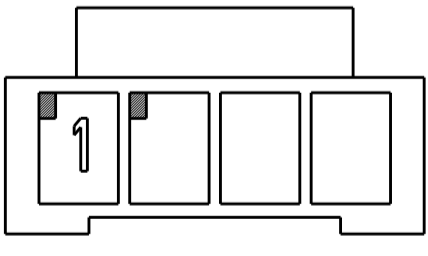
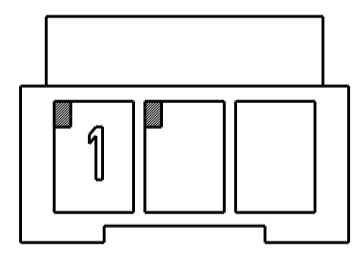
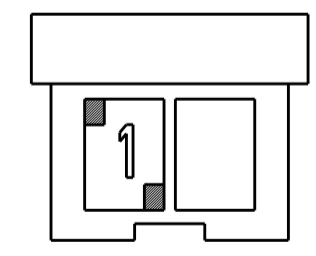


KEY A  
SCALE 2:1

POSITION # KEY A  
SCALE 2:1

KEY A  
SCALE 2:1

KEY A  
SCALE 2:1




KEY B  
SCALE 2:1

KEY B  
SCALE 2:1

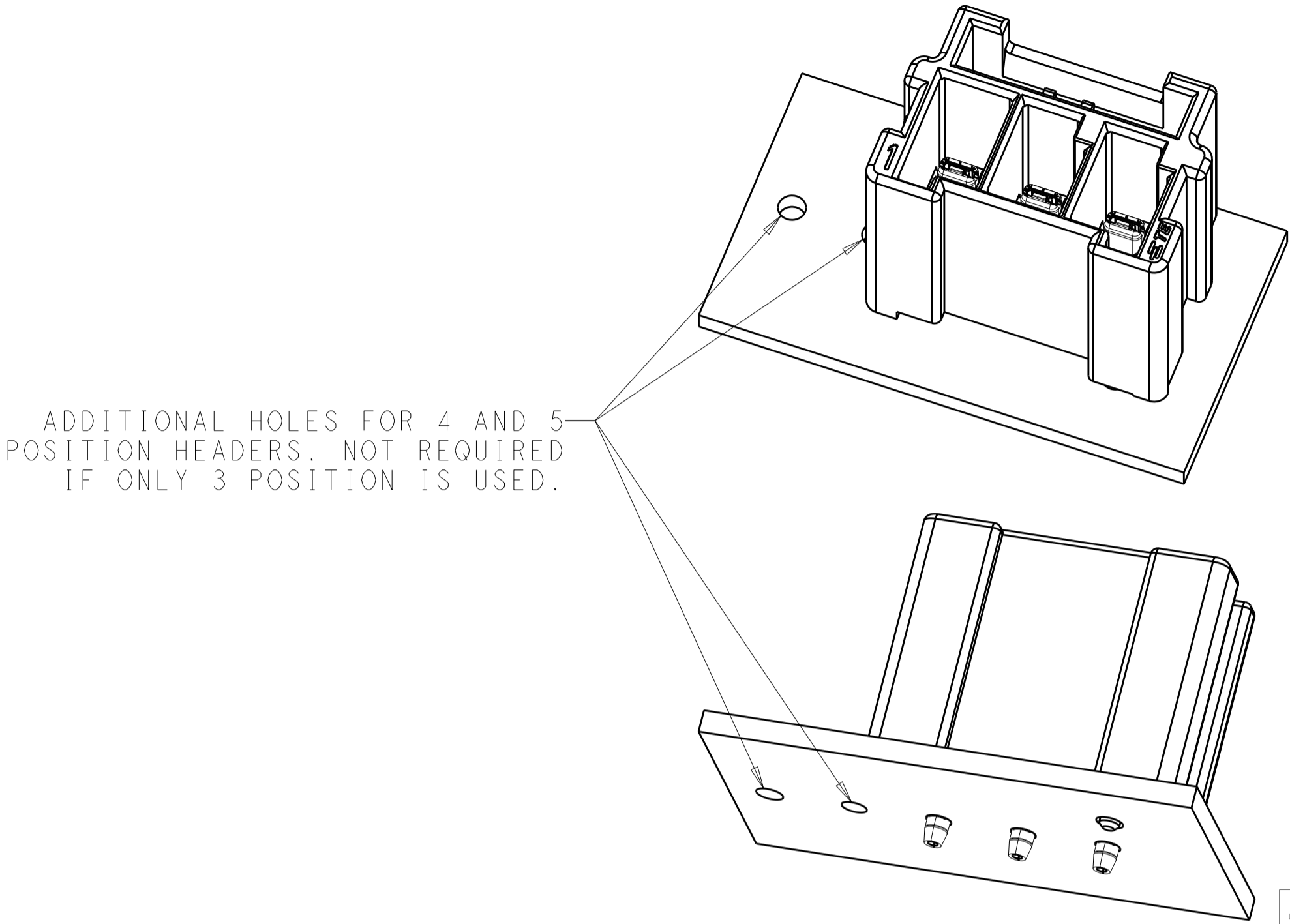
KEY B  
SCALE 2:1

KEY B  
SCALE 2:1

THIS DRAWING IS A CONTROLLED DOCUMENT.		DWN JR RUTH 05JUN14	 TE Connectivity		
DIMENSIONS: mm		CHK DOMINIC FAROLE 05JUN14			NAME ASSEMBLY, HEADER, POWER TRIPLE LOCK, PC BOARD
TOLERANCES UNLESS OTHERWISE SPECIFIED:		APVD GENE JACONO 05JUN14			
0 PLC ± 1 PLC ±0.3 2 PLC ±0.25 3 PLC ± 4 PLC ± ANGLES ± FINISH ±		PRODUCT SPEC 108-32090 APPLICATION SPEC 114-32136 WEIGHT -			SIZE A2 CAGE CODE - DRAWING NO. 1969688 RESTRICTED TO -
SEE TABLE		PRE-TIN	Customer Drawing	SCALE 3:1 SHEET 2 OF 3 REV C	

THIS DRAWING IS UNPUBLISHED. RELEASED FOR PUBLICATION  
 © COPYRIGHT copyright\_dBTe ALL RIGHTS RESERVED.

REVISIONS					
P	LTR	DESCRIPTION	DATE	DWN	APVD
-		SEE SHEET 1			



3 POSITION SHOWN ON PC BOARD,  
 BOARD NOT SUPPLIED ( ILLUSTRATION ONLY )

6-1971773-7	COPPER ALLOY	NYLON PA66 150°C	5	25.10	33.7	31.3	RED	B	2-1969688-5
6-1971773-4			4	19.10	27.7	25.3	RED	B	2-1969688-4
6-1971773-3			3	13.10	21.7	19.3	RED	B	2-1969688-3
6-1971773-2			2	7.10	15.7	13.3	RED	B	2-1969688-2
5-1971773-7	COPPER ALLOY	NYLON PA66 150°C	5	25.10	33.7	31.3	LIGHT GREY	A	1-1969688-5
5-1971773-4			4	19.10	27.7	25.3	LIGHT GREY	A	1-1969688-4
5-1971773-3			3	13.10	21.7	19.3	LIGHT GREY	A	1-1969688-3
9-1971773-2			2	7.10	15.7	13.3	LIGHT GREY	A	1-1969688-2
1-1971773-7	COPPER ALLOY	PBT GF 105°C	5	25.10	33.7	31.3	NATURAL	A	1969688-5
1-1971773-4			4	19.10	27.7	25.3	NATURAL	A	1969688-4
1-1971773-3			3	13.10	21.7	19.3	NATURAL	A	1969688-3
1-1971773-2			2	7.10	15.7	13.3	NATURAL	A	1969688-2
MATING PLUG	CONTACT MATERIAL	HOUSING MATERIAL	NO. OF POS.	DIM P	DIM L	DIM K	COLOR	KEY	PART NUMBER

THIS DRAWING IS A CONTROLLED DOCUMENT.

DWN JR RUTH 05 JUN 14  
 CHK DOMINIC FAROLE 05 JUN 14  
 APVD GENE JACONO 05 JUN 14

**STE** TE Connectivity

NAME ASSEMBLY, HEADER, POWER TRIPLE LOCK, PC BOARD

PRODUCT SPEC 108-32090  
 APPLICATION SPEC 114-32136

SIZE A2 CAGE CODE - DRAWING NO. C-1969688 RESTRICTED TO -

WEIGHT -

Customer Drawing SCALE 3:1 SHEET 3 OF 3 REV C

## X-ON Electronics

Largest Supplier of Electrical and Electronic Components

*Click to view similar products for [Headers & Wire Housings](#) category:*

*Click to view products by [TE Connectivity](#) manufacturer:*

Other Similar products are found below :

[892-18-020-10-001101](#) [58102-G61-06LF](#) [582553-1](#) [0009485154](#) [009176003701906](#) [0050291907](#) [LY20-4P-DT1-P1E-BR](#) [02.125.8002.8](#)  
[609-3404](#) [61062-3](#) [61082-181009](#) [622-3653LF](#) [63453-116](#) [636-1030](#) [636-1427](#) [636-3427](#) [636-4007](#) [641938-9](#) [641991-4](#) [644827-2](#) [65817-010LF](#) [65817-015LF](#) [65863-015LF](#) [66207-023LF](#) [67095-007LF](#) [67601157](#) [68645-018](#) [68648-049](#) [70.362.1628.0](#) [70-4210](#) [70-4226B](#) [70-4853B](#) [707-5020](#) [707-5028](#) [71.350.2428.0](#) [71918-208LF](#) [71961-016LF](#) [733-134](#) [733-162](#) [754199-000](#) [760-3052](#) [787-8014-00](#) [79531-3000](#)  
[FCN-360C032-B](#) [FCN-367T-T012/H](#) [FCN-723D010/2](#) [80.063.4001.1](#) [800-90-001-10-001000](#) [800-90-010-10-002000](#) [801-43-002-10-013000](#)