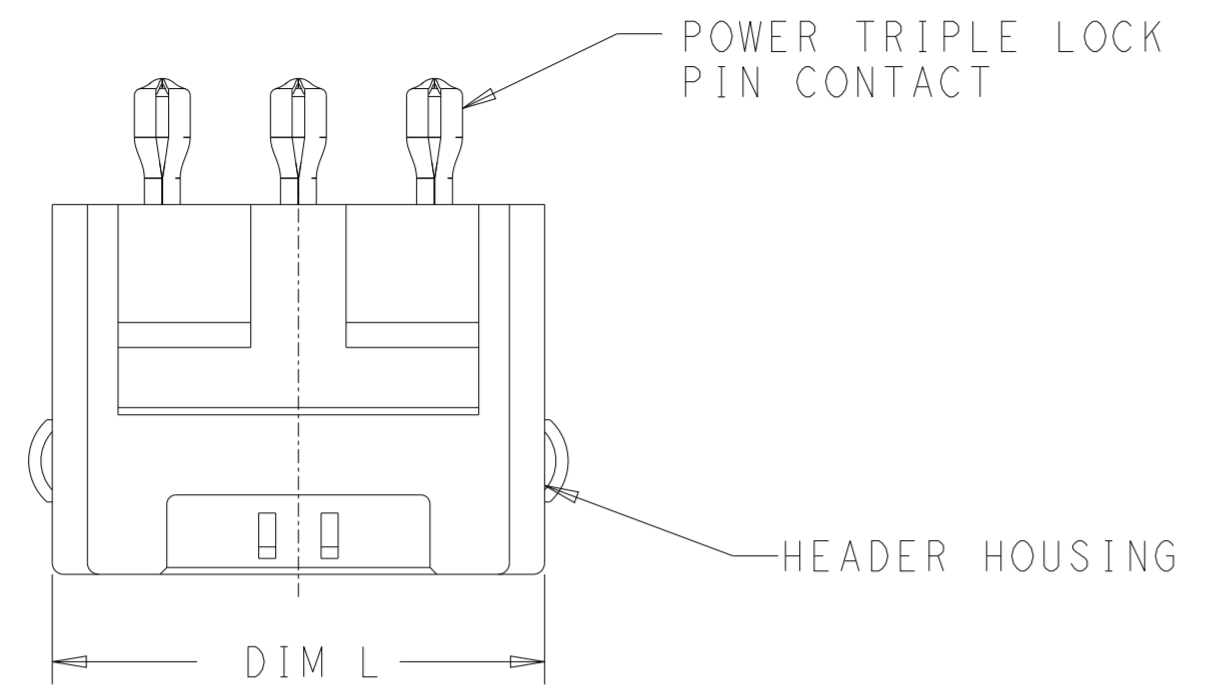
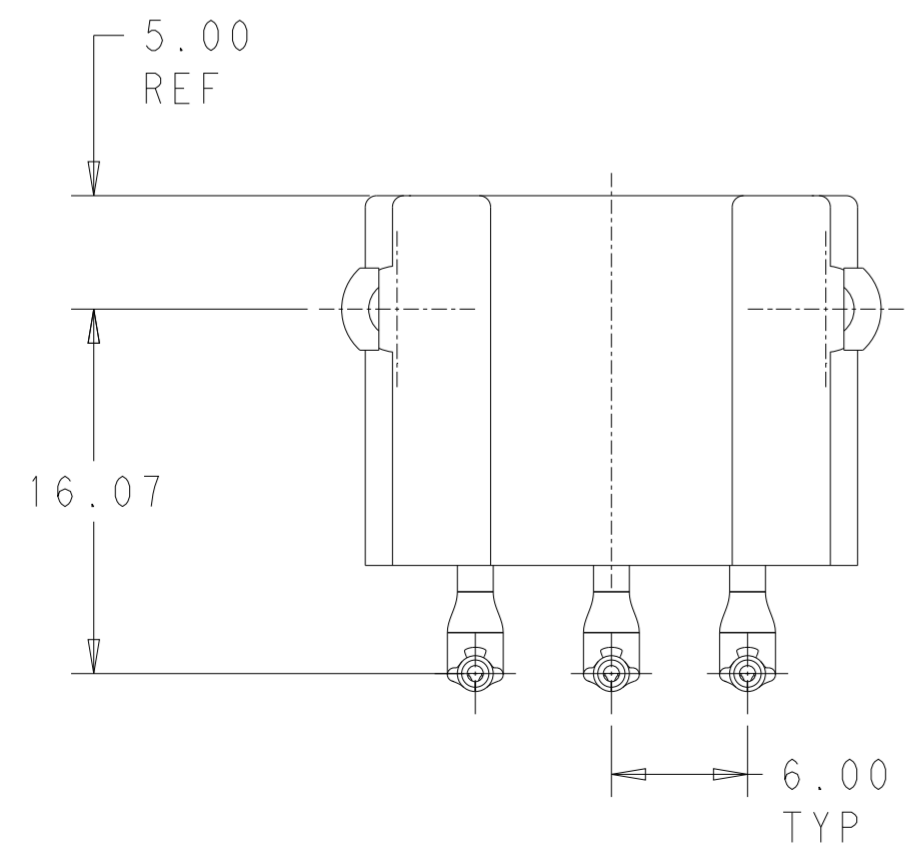
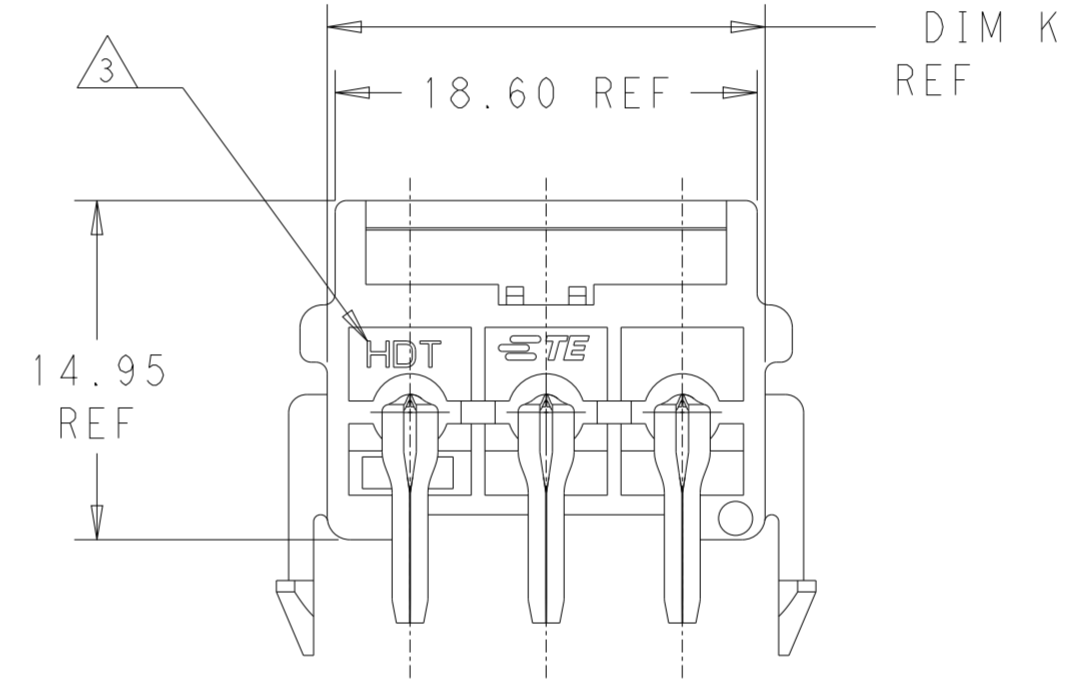
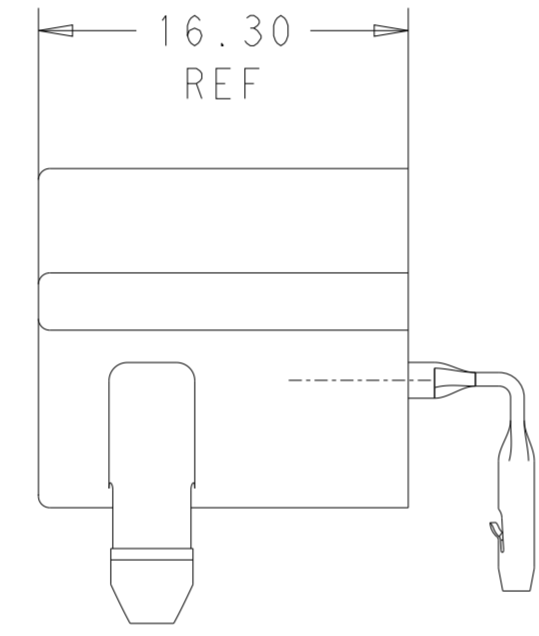
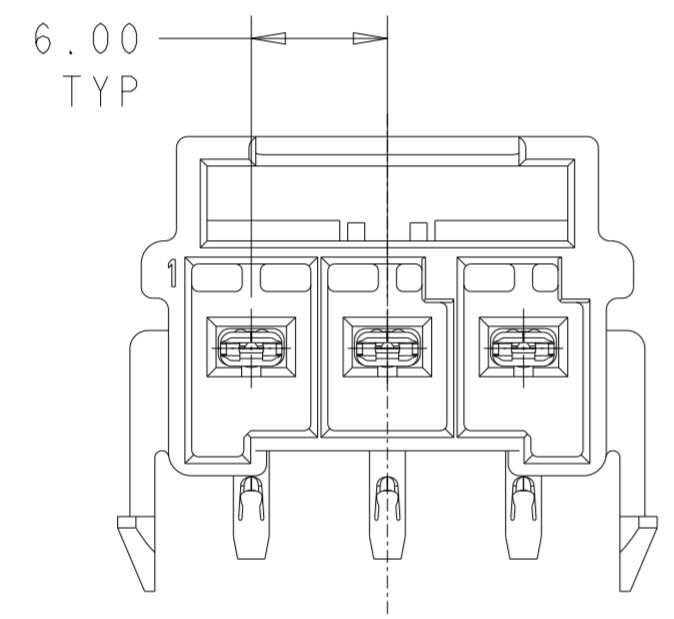


THIS DRAWING IS UNPUBLISHED. RELEASED FOR PUBLICATION
 © COPYRIGHT copyright.dBte- ALL RIGHTS RESERVED.

REVISIONS				
P	LTR	DESCRIPTION	DATE	APVD
A3		REVISED PER ECR-19-009923	03JUL2019	BKW DS
B		REVISED PER ECR-19-014974	30OCT2019	PC DS
B1		REVISED PER ECR-21-106749	07JUL2021	JP VS



- 1 CAN BE SECURED TO THE PLUG WITH OPTIONAL CPA P/N 1971789-1.
- 2 FLAMMABILITY RATED PER UL 94 V-0.
- 3 LEVEL INDICATOR: PBT = STANDARD TEMP/105°C PBT GLASS FILLED
HDT = HIGH TEMP 150°C NYLON PA66 UNFILLED
- 4 PARTS COMPLY WITH SOLDERABILITY SPEC TEC-109-11-11-1
- 5 DATUM AND BASIC DIMENSION ESTABLISHED BY CUSTOMER.
- 6 THIS PRODUCT HAS NOT COMPLETED VALIDATION TESTING.
- 7 GLOW WIRE COMPLIANT IN ACCORDANCE WITH IEC 60335-1. THIS IS BASED ON THE PRODUCT MEETING A GWPT 850°C TEST AND A RESIN GWIT GREATER THAN OR EQUAL TO 775°C.



MATING PLUG	CONTACT MATERIAL	HOUSING MATERIAL	NO. OF POSITIONS	DIM H	DIM P	DIM L	DIM K	COLOR	KEY	PART NUMBER
6-1971773-3	COPPER ALLOY	NYLON PA66 150°C	3	18.55	15.28	21.7	19.3	RED	B	2-1969694-3
5-1971773-7			5	30.55	27.28	33.7	31.3	LIGHT GREY	A	1-1969694-5
5-1971773-4			4	24.55	21.28	27.7	25.3	LIGHT GREY	A	1-1969694-4
5-1971773-3			3	18.55	15.28	21.7	19.3	LIGHT GREY	A	1-1969694-3
5-1971773-2			2	12.55	9.28	15.7	13.3	LIGHT GREY	A	1-1969694-2
1-1971773-7	COPPER ALLOY	PBT 105°C	5	30.55	27.28	33.7	31.3	NATURAL	A	1969694-5
1-1971773-4			4	24.55	21.28	27.7	25.3	NATURAL	A	1969694-4
1-1971773-3			3	18.55	15.28	21.7	19.3	NATURAL	A	1969694-3
1-1971773-2			2	12.55	9.28	15.7	13.3	NATURAL	A	1969694-2

SEE SHEET 2 FOR PCB HOLE PATTERN

THIS DRAWING IS A CONTROLLED DOCUMENT.

DWN: JR RUTH 07-Jul-21
 CHK: DOMINIC FAROLE 19SEPT14
 APVD: DOMINIC FAROLE 19SEPT14
 NAME: DOMINIC FAROLE

STE TE Connectivity

ASSEMBLY, POWER TRIPLE LOCK, RIGHT ANGLE HEADER

108-32090 APPLICATION SPEC
 114-32136

MATERIAL: SEE TABLE
 FINISH: PRE-TIN

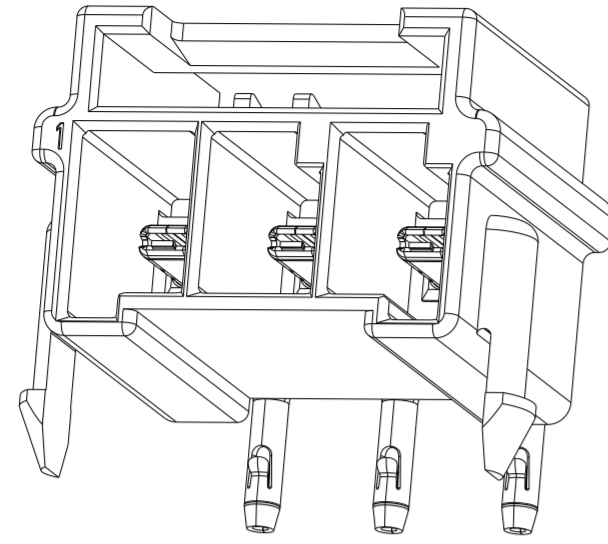
SIZE: A2
 CAGE CODE: -
 DRAWING NO: C-1969694
 RESTRICTED TO: -

CUSTOMER DRAWING SCALE: 3:1 SHEET 1 OF 2 REV B1

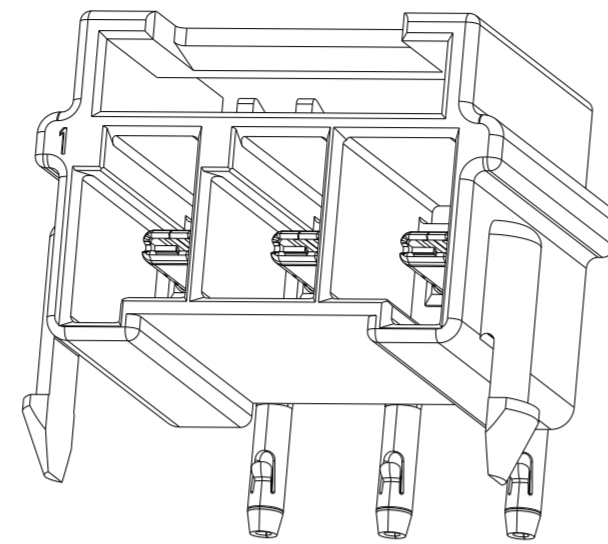
THIS DRAWING IS UNPUBLISHED. RELEASED FOR PUBLICATION
 © COPYRIGHT copyright.d8te- ALL RIGHTS RESERVED.

REVISIONS				
P	LTR	DESCRIPTION	DATE	APVD
-	-	SEE SHEET 1	-	-

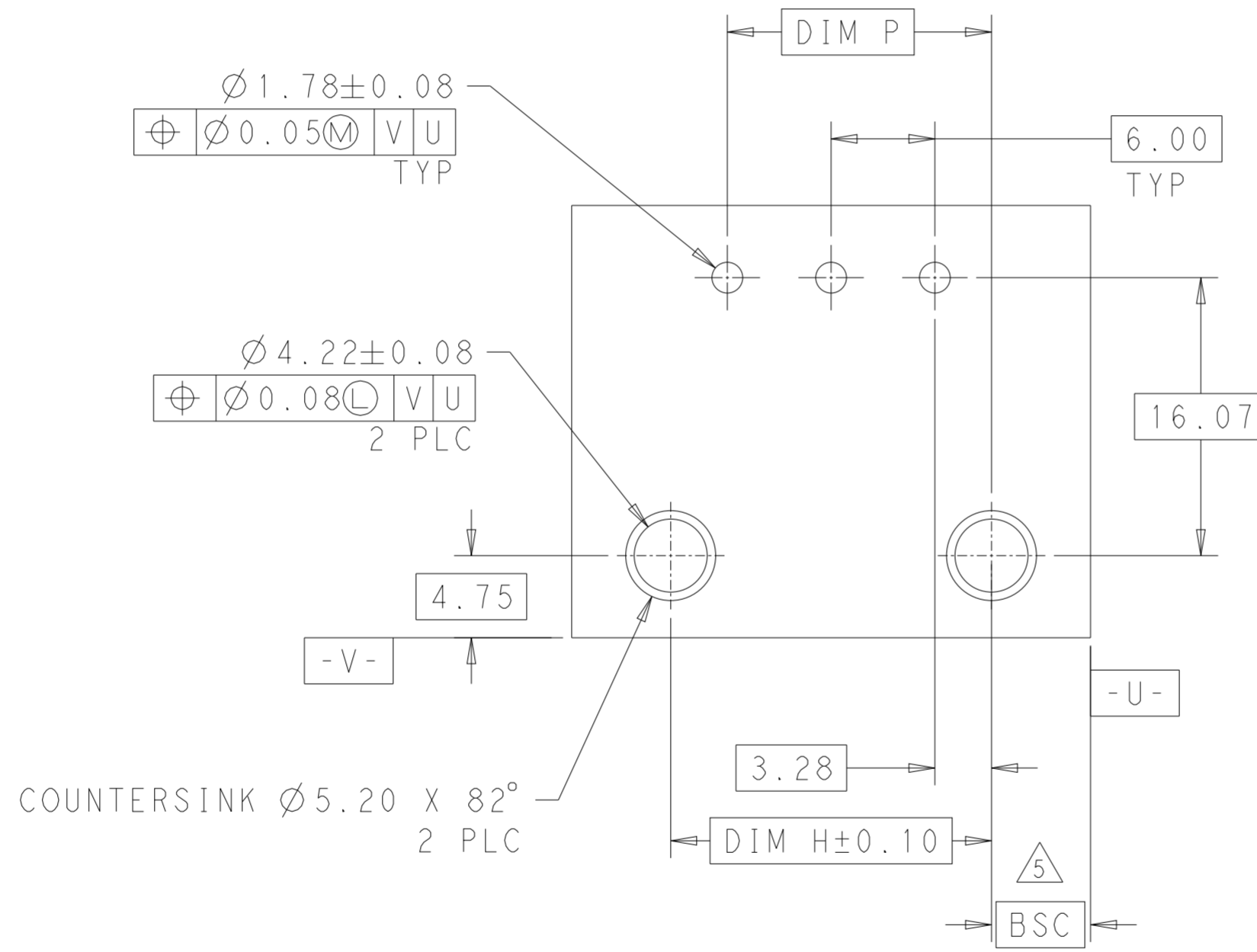
1*3 POSITION



KEY A SHOWN



KEY B SHOWN



RECOMMENDED PCB LAYOUT
 WITH A 1.58 THK BOARD

3 POSITION SHOWN

THIS DRAWING IS A CONTROLLED DOCUMENT.		DWN JR RUTH 07-Jul-21	TE Connectivity															
DIMENSIONS: mm		CHK DOMINIC FAROLE 19SEPT14																
TOLERANCES UNLESS OTHERWISE SPECIFIED:		APVD DOMINIC FAROLE 19SEPT14	NAME ASSEMBLY, POWER TRIPLE LOCK, RIGHT ANGLE HEADER															
<table border="0"> <tr> <td>0 PLC</td> <td>±</td> </tr> <tr> <td>1 PLC</td> <td>±</td> </tr> <tr> <td>2 PLC</td> <td>±0.13</td> </tr> <tr> <td>3 PLC</td> <td>±0.20</td> </tr> <tr> <td>4 PLC</td> <td>±</td> </tr> <tr> <td>ANGLES</td> <td>±</td> </tr> <tr> <td>FINISH</td> <td></td> </tr> </table>		0 PLC	±	1 PLC	±	2 PLC	±0.13	3 PLC	±0.20	4 PLC	±	ANGLES	±	FINISH		PRODUCT SPEC 108-32090	SIZE A2	
0 PLC	±																	
1 PLC	±																	
2 PLC	±0.13																	
3 PLC	±0.20																	
4 PLC	±																	
ANGLES	±																	
FINISH																		
MATERIAL SEE TABLE	PRE-TIN	APPLICATION SPEC	CAGE CODE -	DRAWING NO C-1969694														
-		WEIGHT -	RESTRICTED TO -	SCALE 3:1														
-		CUSTOMER DRAWING	SHEET 2 OF 2	REV B1														

X-ON Electronics

Largest Supplier of Electrical and Electronic Components

Click to view similar products for [Heavy Duty Power Connectors](#) category:

Click to view products by [TE Connectivity](#) manufacturer:

Other Similar products are found below :

[647757-1](#) [6643411-1](#) [6646058-2](#) [6646137-1](#) [6646138-1](#) [6646608-1](#) [6646786-1](#) [6646940-1](#) [6651091-1](#) [6651525-1](#) [6651529-1](#) [6651788-1](#)
[696475-1](#) [702-32-01109](#) [703-25-02205](#) [73000005059](#) [73000005642](#) [73080254296](#) [73080255059](#) [73080965046](#) [765-15-0080A](#)
[765-16-0080B](#) [765-18-0080D](#) [902-77-02113](#) [PS00/A0620/6300](#) [129-1J](#) [1409400](#) [E6374G1](#) [e6389g2](#) [157-43GW8](#) [MS3117-14AC](#) [1643543-1](#)
[1650540-1](#) [1651811-2](#) [1766260-1](#) [1766282-1](#) [1766966-1](#) [1791340000](#) [NLDFT-3-BL-L-S120-M40A](#) [NLDFT-N-W-L-C240-M40B](#) [1926015-](#)
[1](#) [NLS-N-W-C240-M40B](#) [2-1589900-8](#) [2199314-1](#) [KA8102](#) [9300480317](#) [29131](#) [294-0091-01100](#) [296-0040-01100](#) [1646905-1](#)