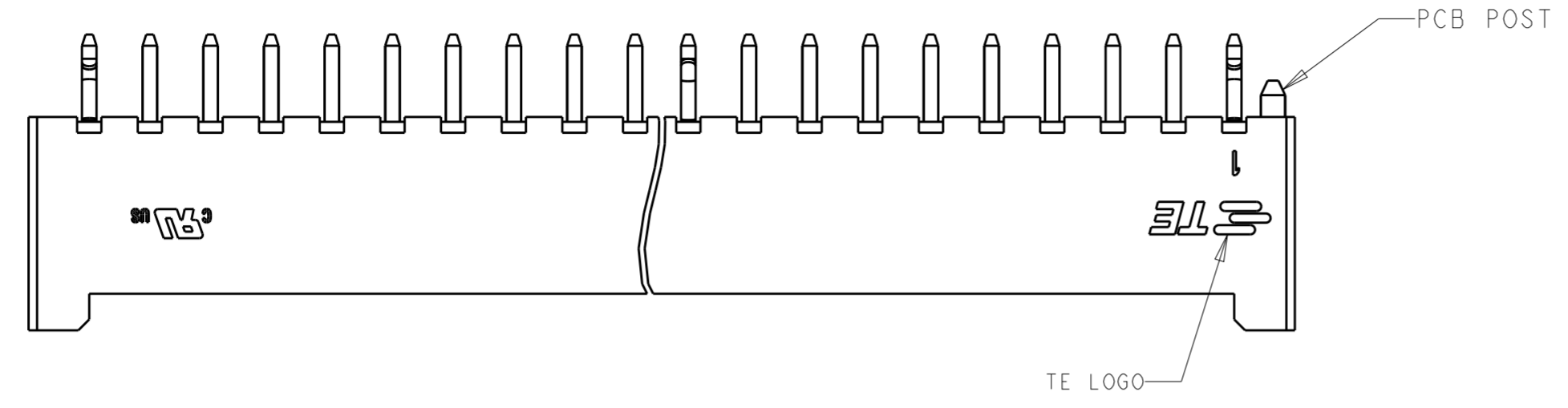
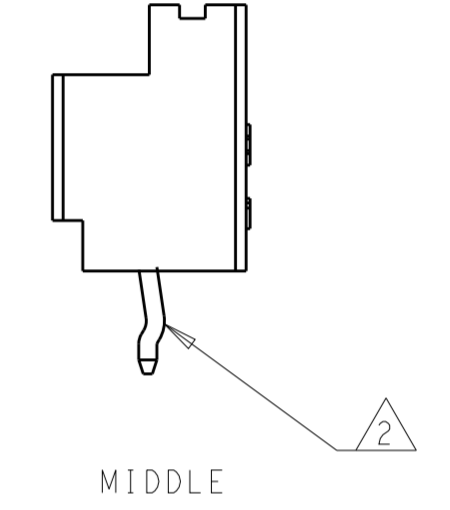
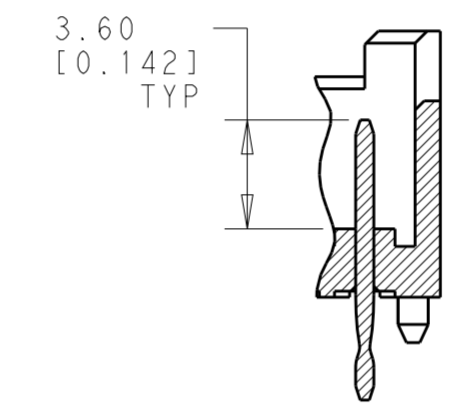
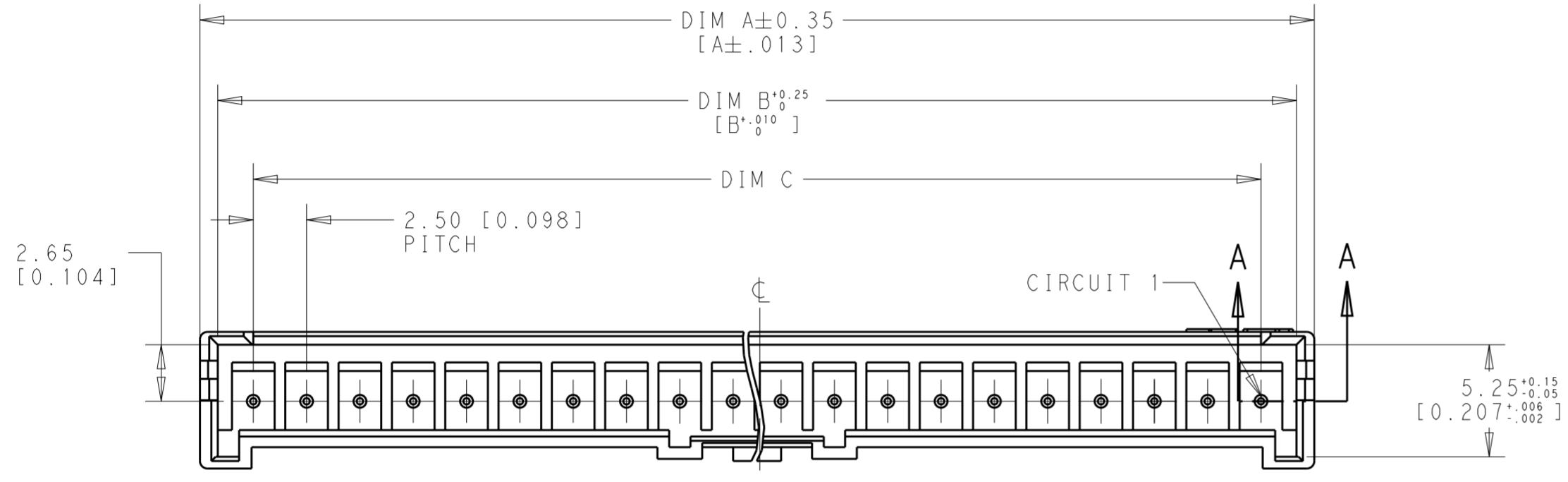


THIS DRAWING IS UNPUBLISHED. RELEASED FOR PUBLICATION
 © COPYRIGHT copyright.d8Te- ALL RIGHTS RESERVED.

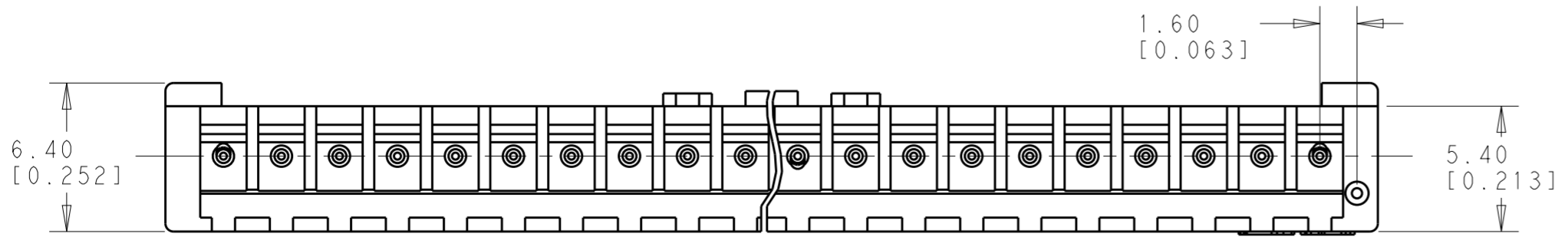
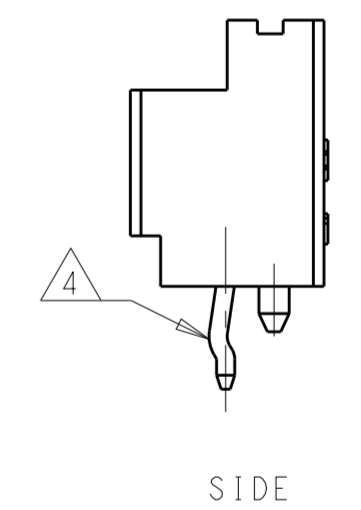
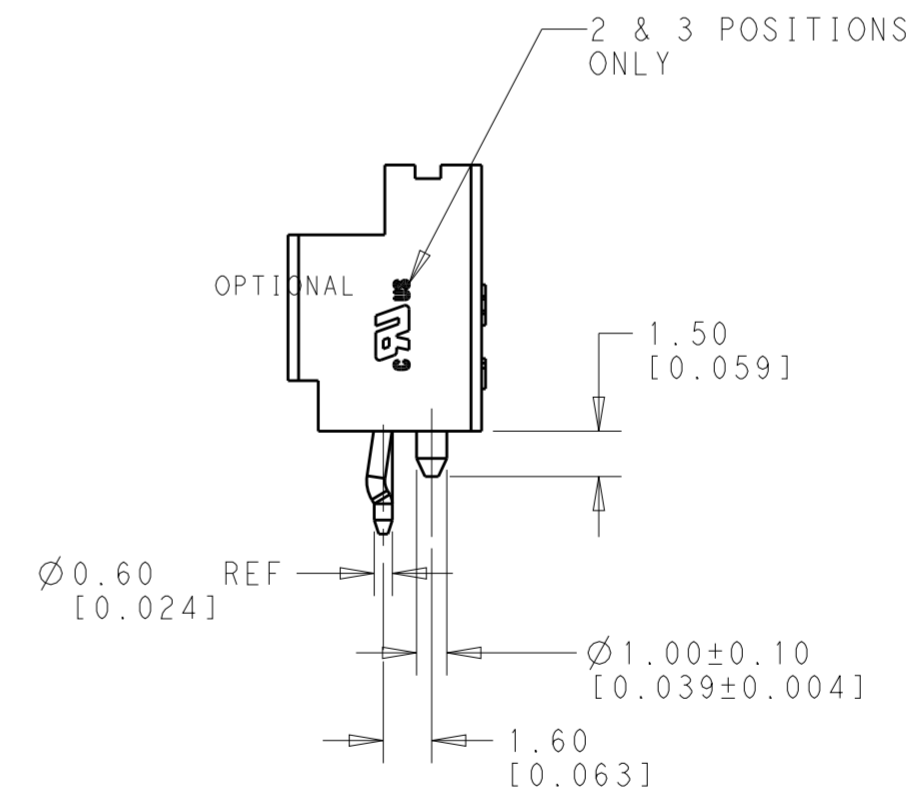
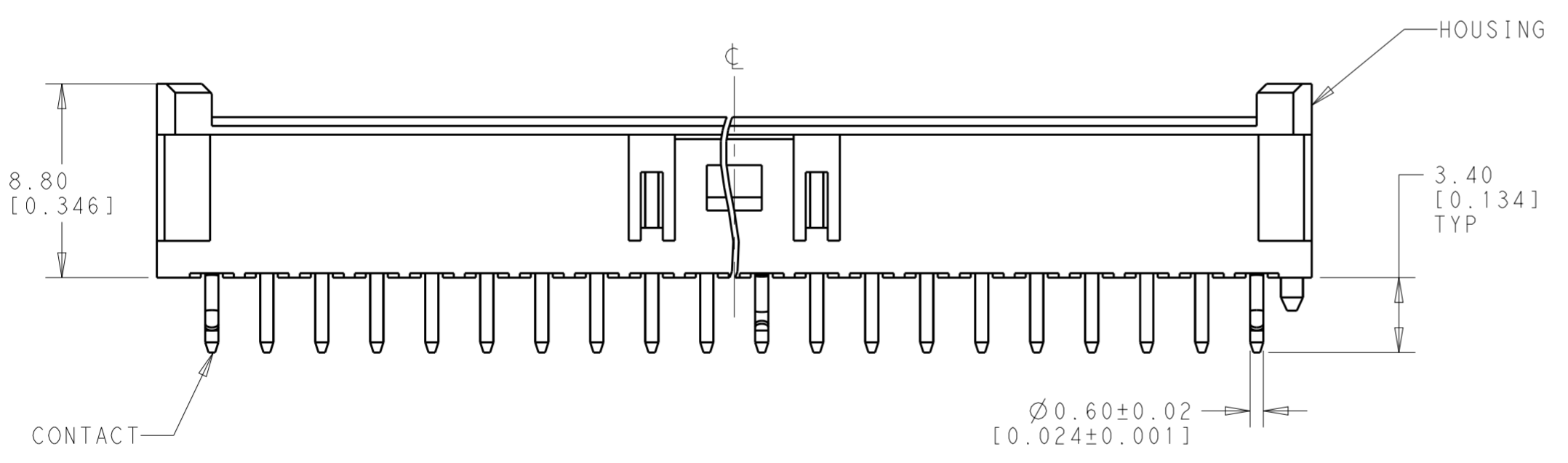
REVISIONS					
P	LTR	DESCRIPTION	DATE	DWN	APVD
	A3	REVISED PER ECR-16-015820	22NOV2016	O.C	D.Z



- 1 MATERIAL: HOUSING: THERMOPLASTIC, UL94 V0, COLOR: NATURAL. TERMINAL: BRASS, NICKEL UNDER PLATING, Tin PLATING ON PIN AREA.
- 2 CONTACT SOLDERTAIL KINK DIRECTION (BOARLOCK) SEE BELOW TABLE.



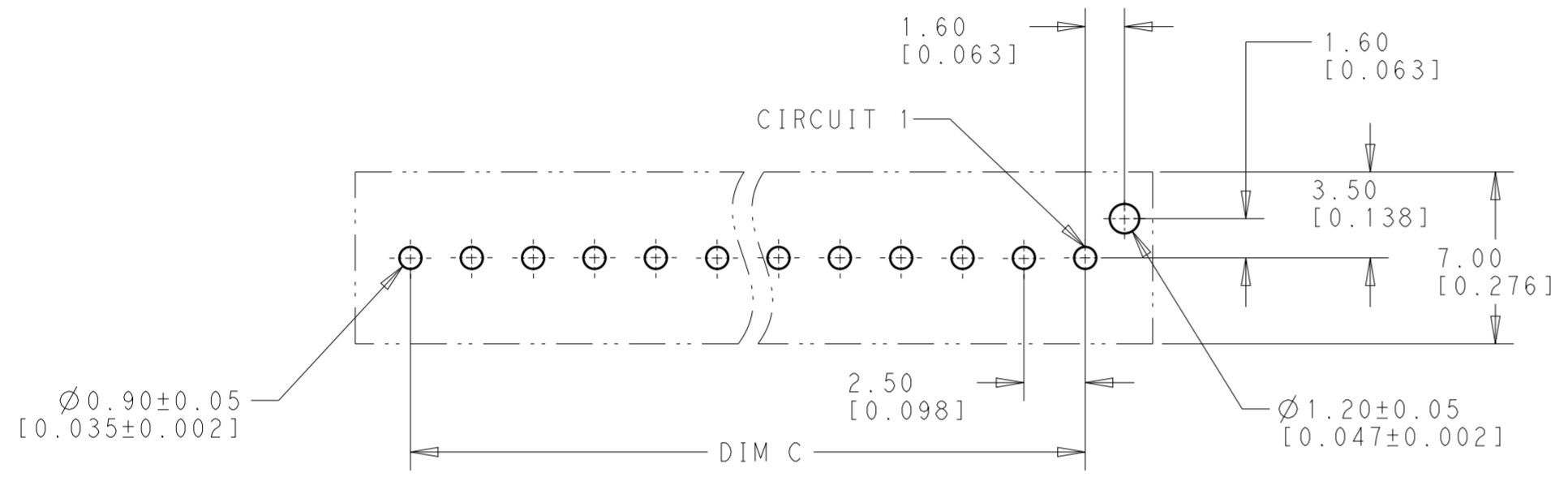
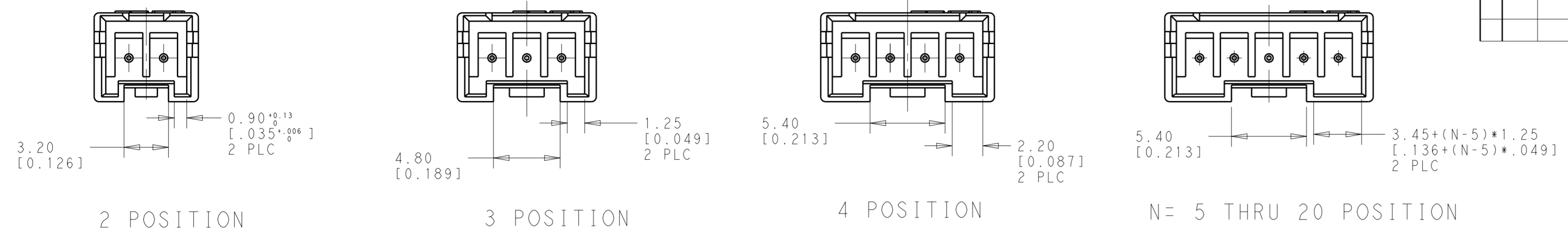
SECTION A-A



THIS DRAWING IS A CONTROLLED DOCUMENT.		DWN 04JUN2016 NAGALAKSHMI K	TE Connectivity	
DIMENSIONS: mm [INCHES]		CHK 04JUN2016 CHIARELLI DAVIDE		
TOLERANCES UNLESS OTHERWISE SPECIFIED:		APVD 04JUN2016 CHIARELLI DAVIDE	HEADER ASSEMBLY, VERTICAL, ECONOMY POWER, 2.5mm CENTERLINE	
0 PLC ±-	±-	PRODUCT SPEC	SIZE	RESTRICTED TO
1 PLC ±.30	±.30	108-2418	CAGE CODE	-
2 PLC ±.20	±.20	114-13315	DRAWING NO	-
3 PLC ±-	±-	WEIGHT	A200779	-
4 PLC ±-	±-	CUSTOMER DRAWING	C-1969730	-
ANGLES ±3°	±3°	SCALE	4:1	SHEET 1 OF 2
FINISH	-	REV	A3	

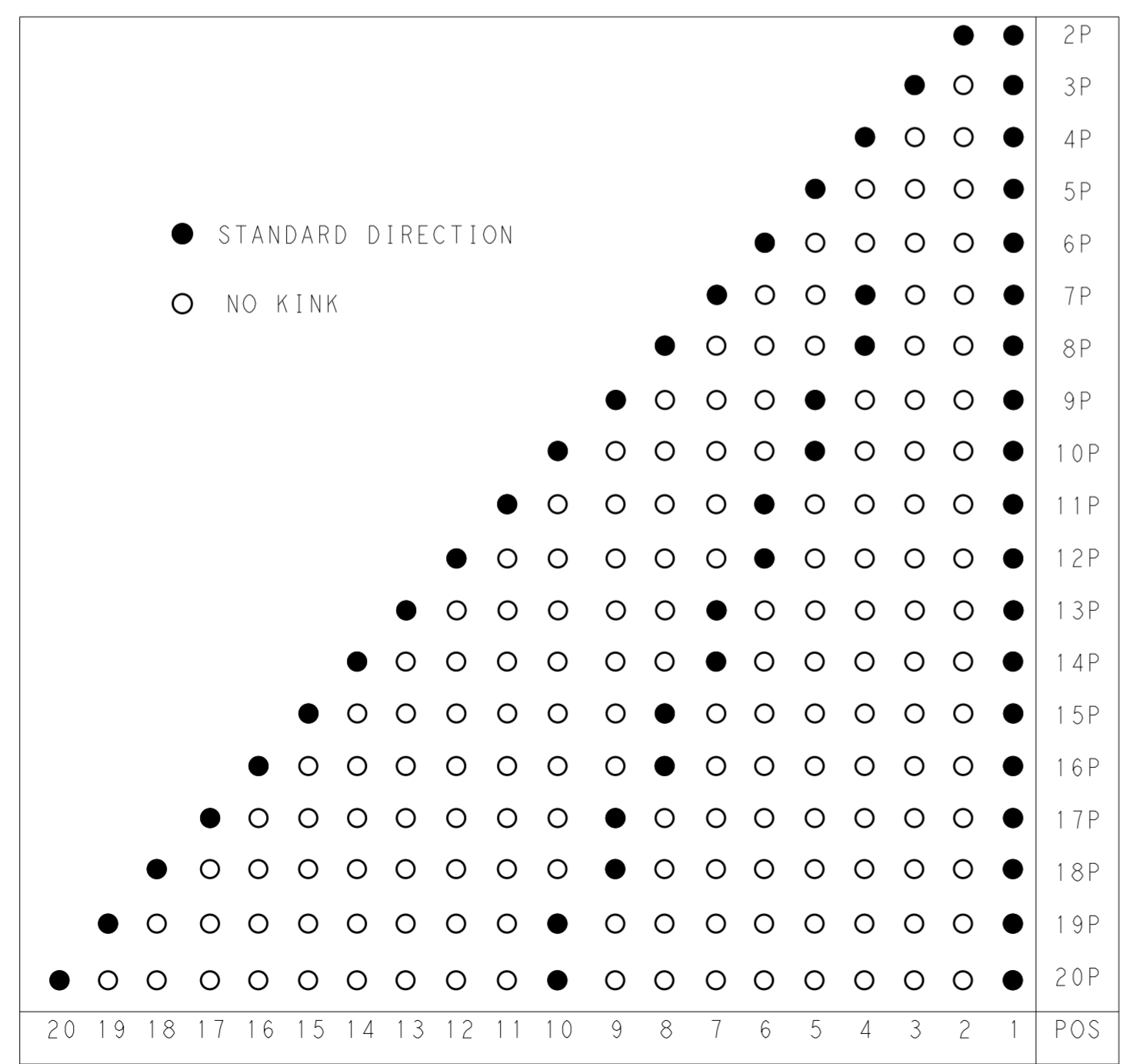
THIS DRAWING IS UNPUBLISHED. RELEASED FOR PUBLICATION
 © COPYRIGHT copyright.d8te- ALL RIGHTS RESERVED.

REVISIONS				
P	LTR	DESCRIPTION	DATE	APVD
-		SEE SHEET 1	-	-



RECOMMENDED PCB LAYOUT

2



47.5 [1.870]	50.83[2.001]	52.5 [2.067]	20	2-1969730-0
45.0 [1.772]	48.33[1.903]	50.0 [1.968]	19	1-1969730-9
42.5 [1.673]	45.83[1.804]	47.5 [1.870]	18	1-1969730-8
40.0 [1.575]	43.33[1.706]	45.0 [1.772]	17	1-1969730-7
37.5 [1.476]	40.83[1.607]	42.5 [1.673]	16	1-1969730-6
35.0 [1.378]	38.33[1.510]	40.0 [1.575]	15	1-1969730-5
32.5 [1.280]	35.83[1.411]	37.5 [1.476]	14	1-1969730-4
30.0 [1.181]	33.33[1.312]	35.0 [1.378]	13	1-1969730-3
27.5 [1.083]	30.83[1.214]	32.5 [1.280]	12	1-1969730-2
25.0 [.984]	28.33[1.115]	30.0 [1.181]	11	1-1969730-1
22.5 [.886]	25.83[1.016]	27.5 [1.083]	10	1-1969730-0
20.0 [.787]	23.33[.919]	25.0 [.984]	9	1969730-9
17.5 [.689]	20.83[.820]	22.5 [.886]	8	1969730-8
15.0 [.591]	18.33[.722]	20.0 [.787]	7	1969730-7
12.5 [.492]	15.83[.623]	17.5 [.689]	6	1969730-6
10.0 [.395]	13.33[.525]	15.0 [.591]	5	1969730-5
7.5 [.295]	10.83[.426]	12.5 [.492]	4	1969730-4
5.0 [.197]	8.33[.328]	10.0 [.395]	3	1969730-3
2.5 [.098]	5.83[.229]	7.5 [.295]	2	1969730-2
DIM C		DIM B		DIM A
POS		PART NO		

THIS DRAWING IS A CONTROLLED DOCUMENT.

DWN: NAGALAKSHMI K. 04 JUN 2016
 CHK: CHIARELLI DAVIDE 04 JUN 2016
 APVD: CHIARELLI DAVIDE 04 JUN 2016

TE Connectivity

NAME: HEADER ASSEMBLY, VERTICAL, ECONOMY POWER, 2.5mm CENTERLINE

PRODUCT SPEC: 108-2418
 APPLICATION SPEC: 114-13315

MATERIAL: -
 FINISH: -

WEIGHT: -

SIZE: A2 CAGE CODE: 00779 DRAWING NO: C-1969730 RESTRICTED TO: -

CUSTOMER DRAWING SCALE: 4:1 SHEET: 2 OF 2 REV: A3

X-ON Electronics

Largest Supplier of Electrical and Electronic Components

Click to view similar products for [Headers & Wire Housings](#) category:

Click to view products by [TE Connectivity](#) manufacturer:

Other Similar products are found below :

[892-18-020-10-001101](#) [58102-G61-06LF](#) [582553-1](#) [0009485154](#) [009176003701906](#) [0050291907](#) [LY20-4P-DT1-P1E-BR](#) [02.125.8002.8](#)
[609-3404](#) [61062-3](#) [61082-181009](#) [622-3653LF](#) [63453-116](#) [636-1030](#) [636-1427](#) [636-3427](#) [636-4007](#) [641938-9](#) [641991-4](#) [644827-2](#) [65817-](#)
[010LF](#) [65817-015LF](#) [65863-015LF](#) [66207-023LF](#) [67095-007LF](#) [67601157](#) [68645-018](#) [68648-049](#) [70.362.1628.0](#) [70-4210](#) [70-4226B](#) [70-](#)
[4853B](#) [707-5020](#) [707-5028](#) [71.350.2428.0](#) [71918-208LF](#) [71961-016LF](#) [733-134](#) [733-162](#) [754199-000](#) [760-3052](#) [787-8014-00](#) [79531-3000](#)
[FCN-360C032-B](#) [FCN-367T-T012/H](#) [FCN-723D010/2](#) [80.063.4001.1](#) [800-90-001-10-001000](#) [800-90-010-10-002000](#) [801-43-002-10-013000](#)