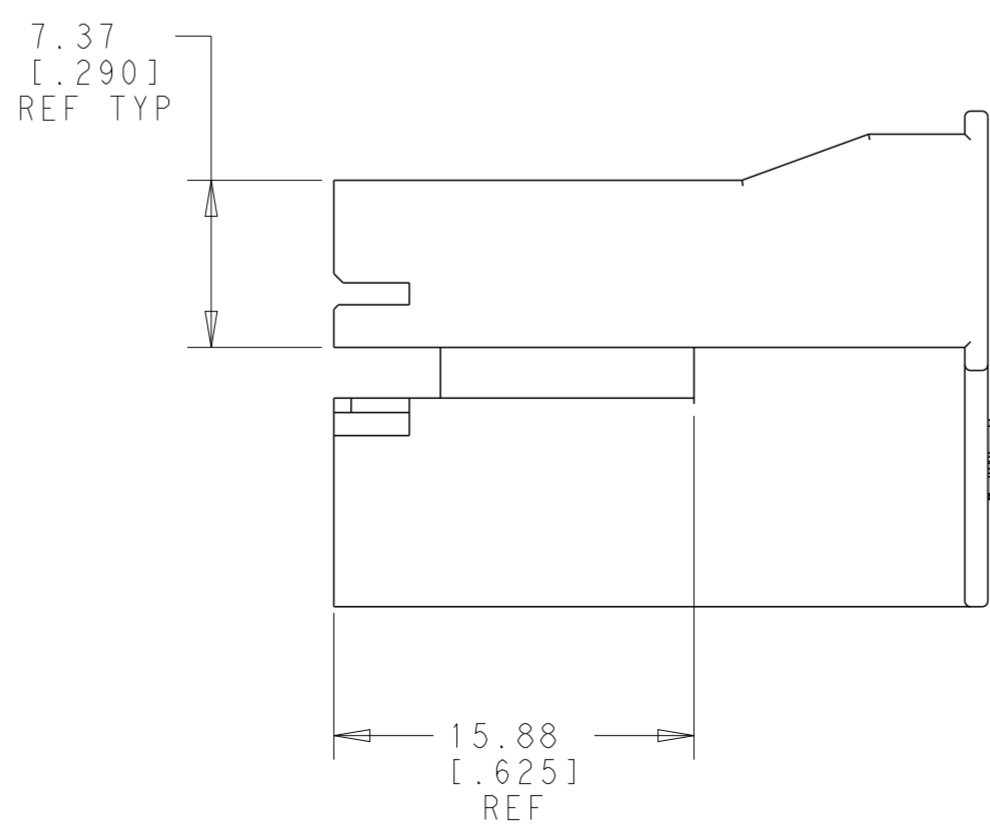
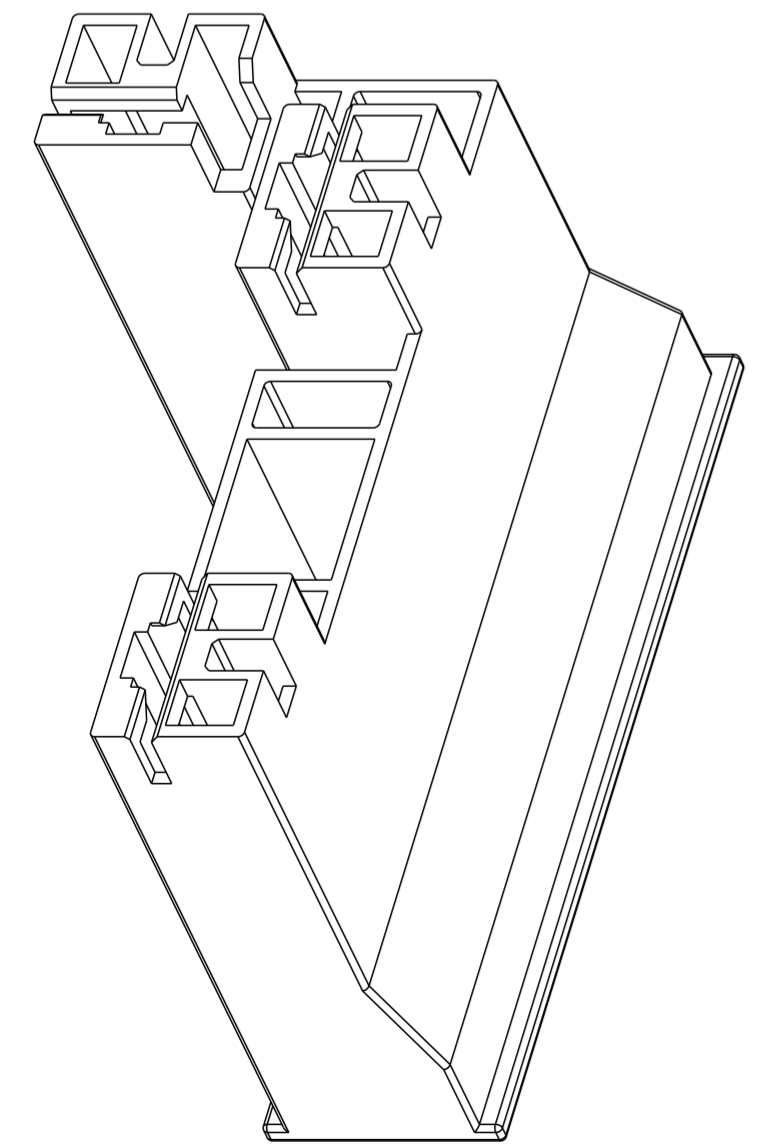
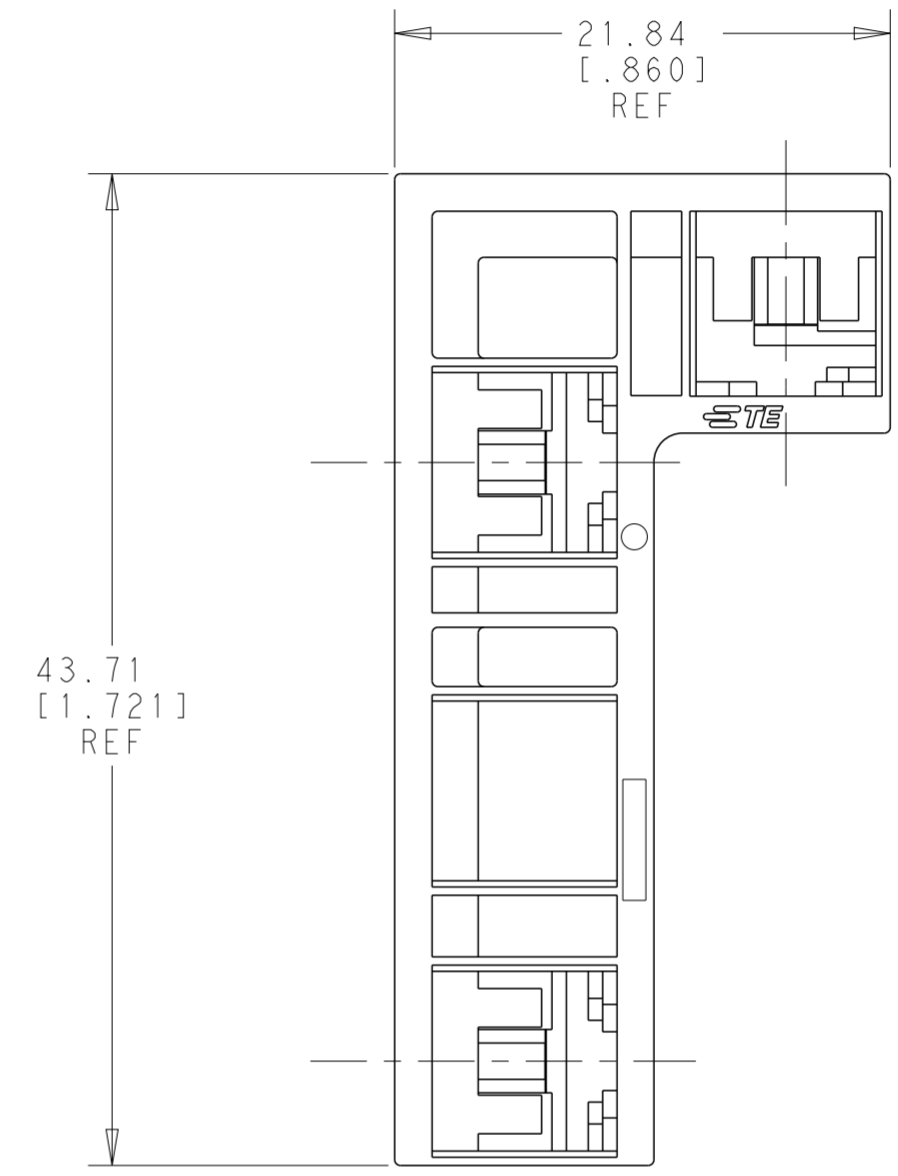
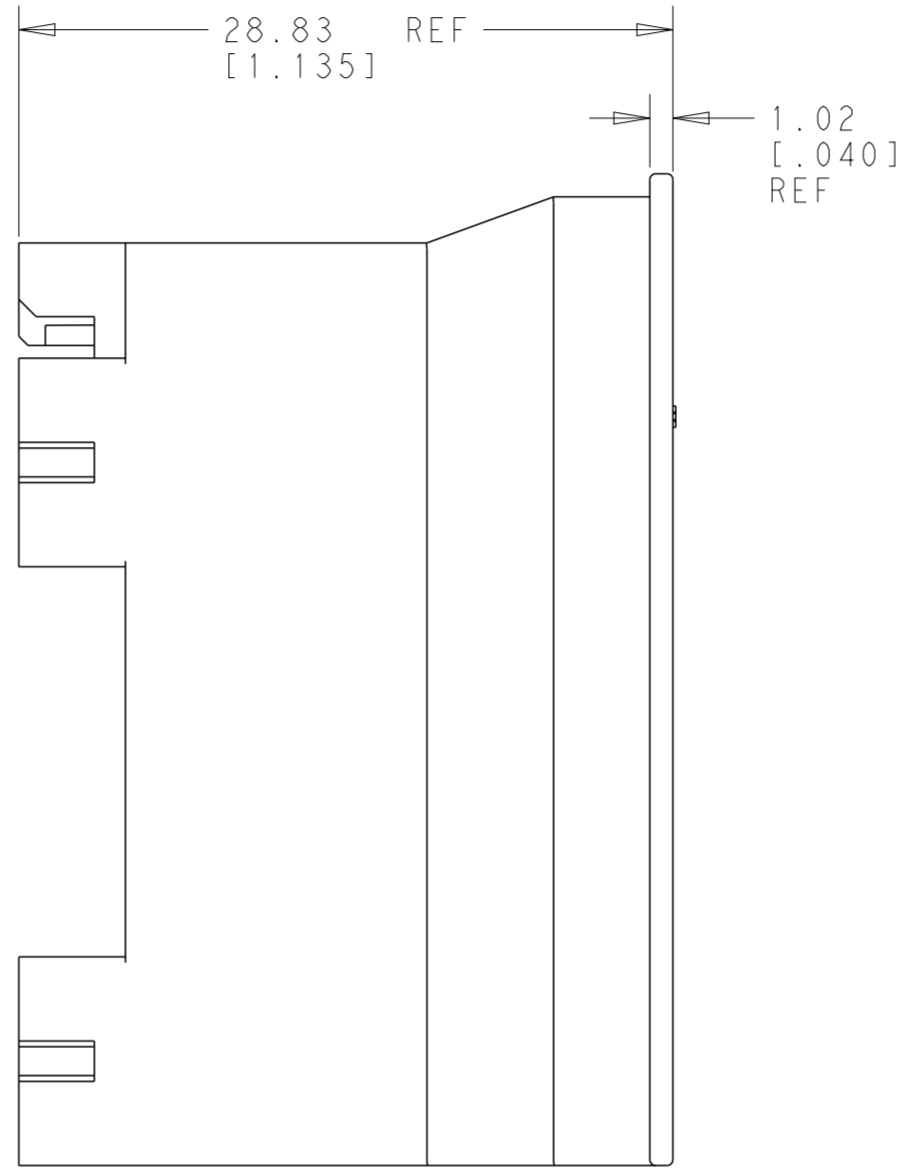
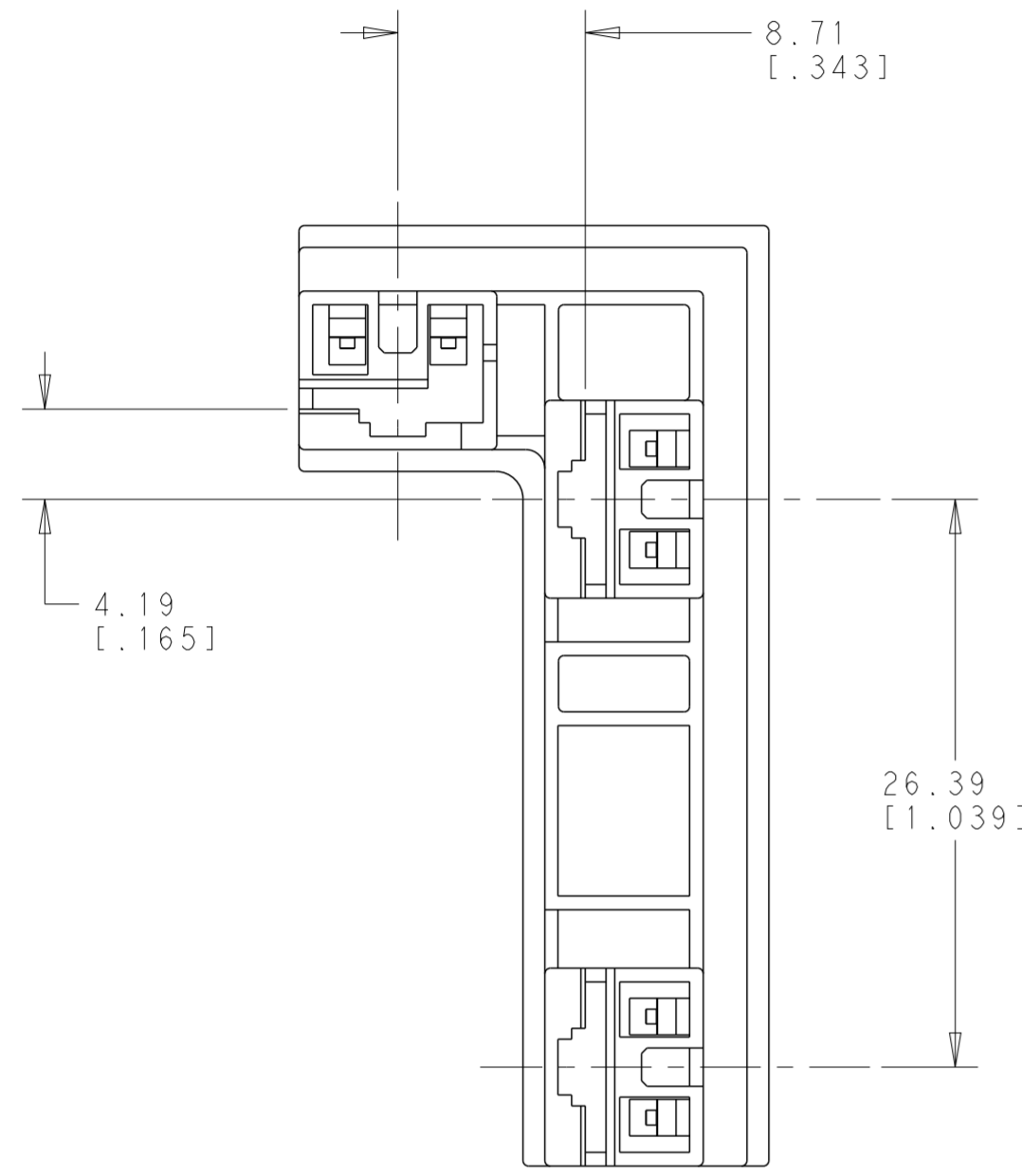



THIS DRAWING IS UNPUBLISHED. RELEASED FOR PUBLICATION 20
 © COPYRIGHT 20 BY - ALL RIGHTS RESERVED.

REVISIONS				
P	LTR	DESCRIPTION	DATE	APVD
A		REVISED PER ECR-16-014077	06OCT2016	BW RS

1 THIS HOUSING ACCEPTS BOTH FASTON AND POSI-LOCK MKII TERMINALS.



NATURAL	NYLON V0	1969760-1
COLOR	MATERIAL	PART NO

THIS DRAWING IS A CONTROLLED DOCUMENT.		DWN NAGALAKSHMI, K	23 JUN 2015	 TE Connectivity													
DIMENSIONS: mm [INCHES]		CHK DIDONATO, MICHAEL	23 JUN 2015														
TOLERANCES UNLESS OTHERWISE SPECIFIED:		APVD DIDONATO, MICHAEL	23 JUN 2015														
<table border="1"> <tr><td>0 PLC</td><td>±</td></tr> <tr><td>1 PLC</td><td>±</td></tr> <tr><td>2 PLC</td><td>±</td></tr> <tr><td>3 PLC</td><td>±0.25 [.010]</td></tr> <tr><td>4 PLC</td><td>±</td></tr> <tr><td>ANGLES</td><td>±</td></tr> <tr><td>FINISH</td><td>-</td></tr> </table>		0 PLC	±		1 PLC	±	2 PLC	±	3 PLC	±0.25 [.010]	4 PLC	±	ANGLES	±	FINISH	-	NAME 3P POSI-LOCK, MARK II
0 PLC	±																
1 PLC	±																
2 PLC	±																
3 PLC	±0.25 [.010]																
4 PLC	±																
ANGLES	±																
FINISH	-																
MATERIAL NYLON V0	PRODUCT SPEC -	APPLICATION SPEC -	WEIGHT -	<table border="1"> <tr> <td>SIZE</td> <td>CAGE CODE</td> <td>DRAWING NO</td> <td>RESTRICTED TO</td> </tr> <tr> <td>A200779</td> <td>C-1969760</td> <td></td> <td>-</td> </tr> </table>	SIZE	CAGE CODE	DRAWING NO	RESTRICTED TO	A200779	C-1969760		-					
SIZE	CAGE CODE	DRAWING NO	RESTRICTED TO														
A200779	C-1969760		-														
CUSTOMER DRAWING		SCALE	3:1	SHEET 1 OF 1													
		REV	A														

X-ON Electronics

Largest Supplier of Electrical and Electronic Components

Click to view similar products for [Terminals](#) category:

Click to view products by [TE Connectivity](#) manufacturer:

Other Similar products are found below :

[00-054007-01074-6](#) [00-054007-70206-1](#) [00-054007-70210-8](#) [00-054007-70217-7](#) [00-054007-70226-9](#) [00-054007-70228-3](#) [00-054007-70248-1](#) [00-054007-70256-6](#) [00-054007-70301-3](#) [00-054007-70316-7](#) [00-054007-49560-4](#) [00-054007-70209-2](#) [00-054007-70225-2](#) [00-054007-70227-6](#) [00-054007-70231-3](#) [00-054007-70241-2](#) [00-054007-70242-9](#) [00-054007-70244-3](#) [00-054007-70246-7](#) [00-054007-70263-4](#) [00-054007-70288-7](#) [00-054007-70290-0](#) [00-054007-70300-6](#) [00-054007-70304-4](#) [01-2065-1-0216](#) [01-2900-1-04412](#) [00581P0075](#) [600TS-10](#) [60205-1](#) [604200-1](#) [605601-1](#) [60598-1-CUT-TAPE](#) [61314-6-C](#) [61810-3](#) [61-S](#) [61-SN](#) [626-0194](#) [62-NBM-A](#) [62-SN](#) [62-SP](#) [63-S](#) [640179-1](#) [M55155/059I03](#) [M55155/079C01](#) [M55155/099H02](#) [M55155/109H01](#) [M55155/109H02](#) [M55155/12XH05](#) [M55155/16XH02](#) [M55155/29-5S](#)