
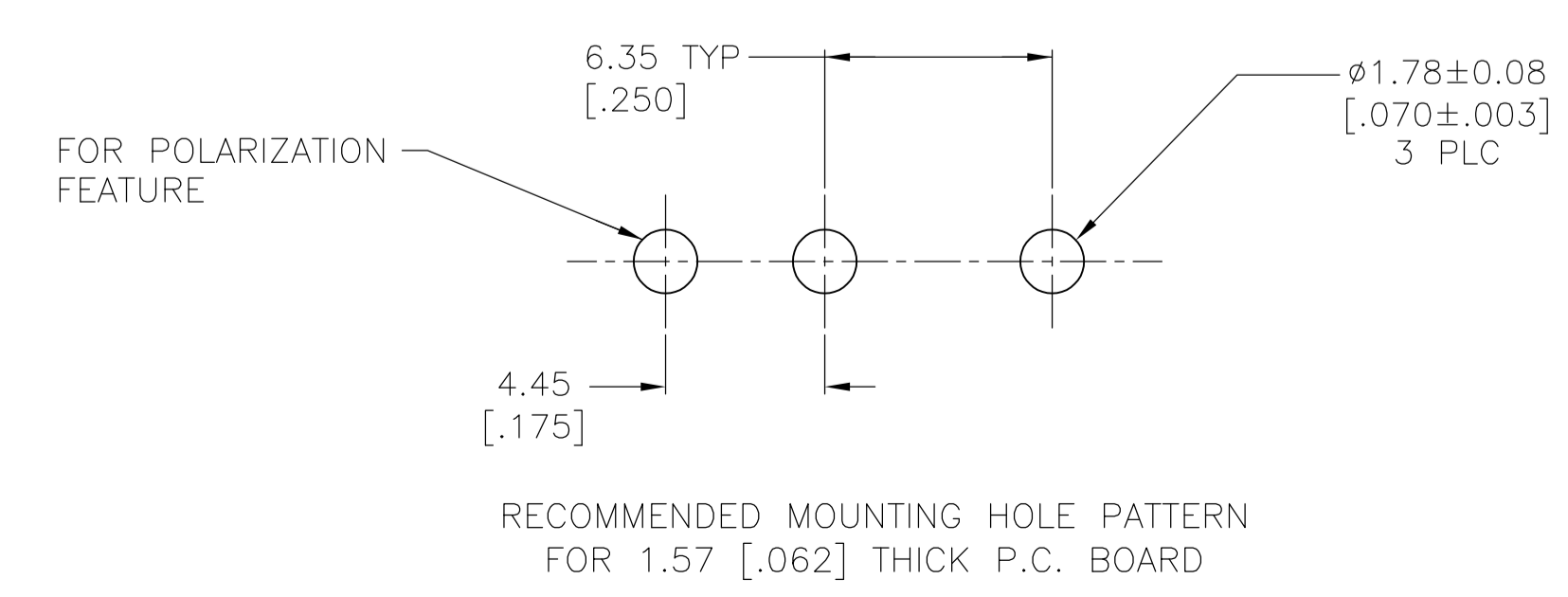
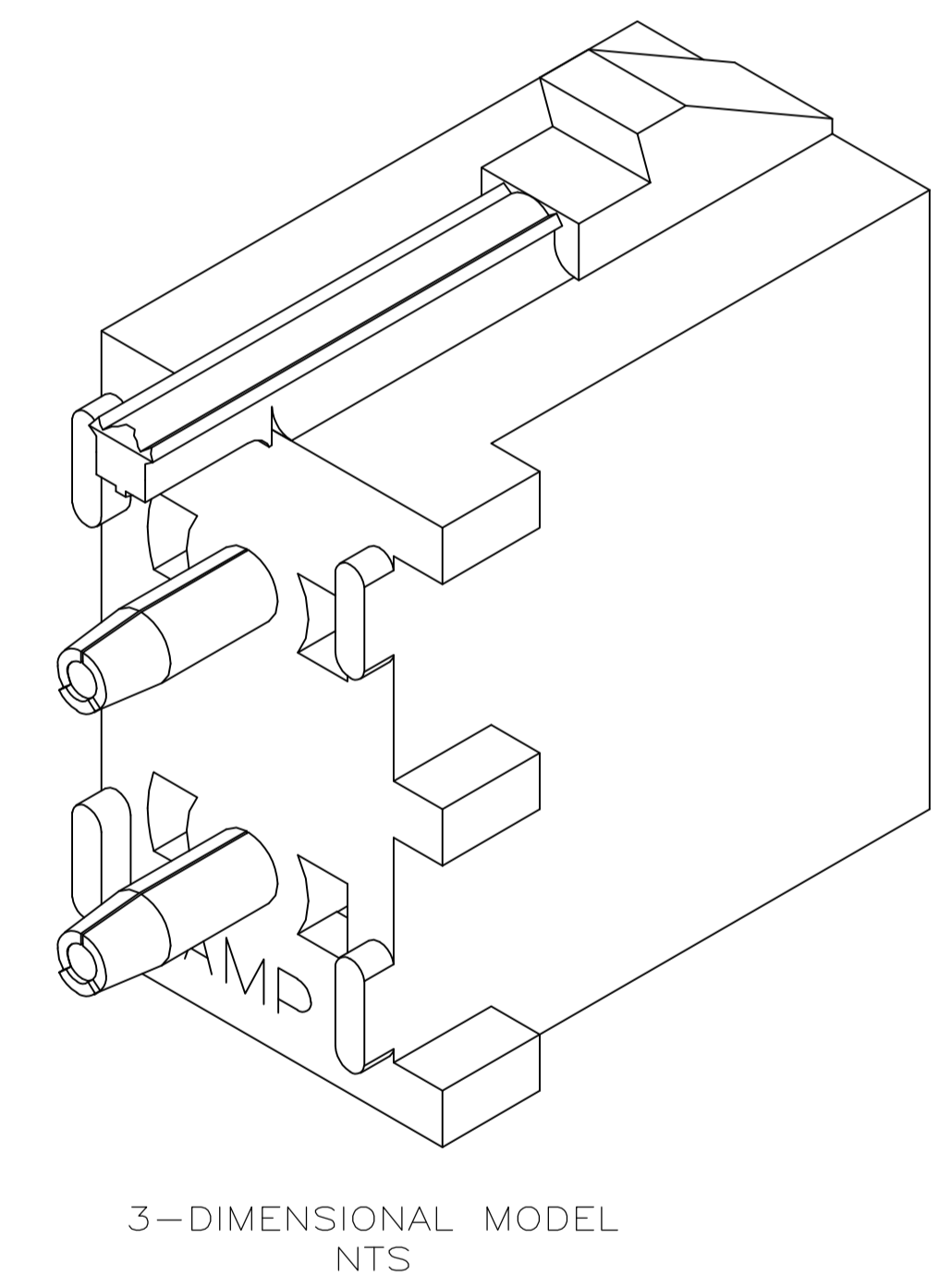
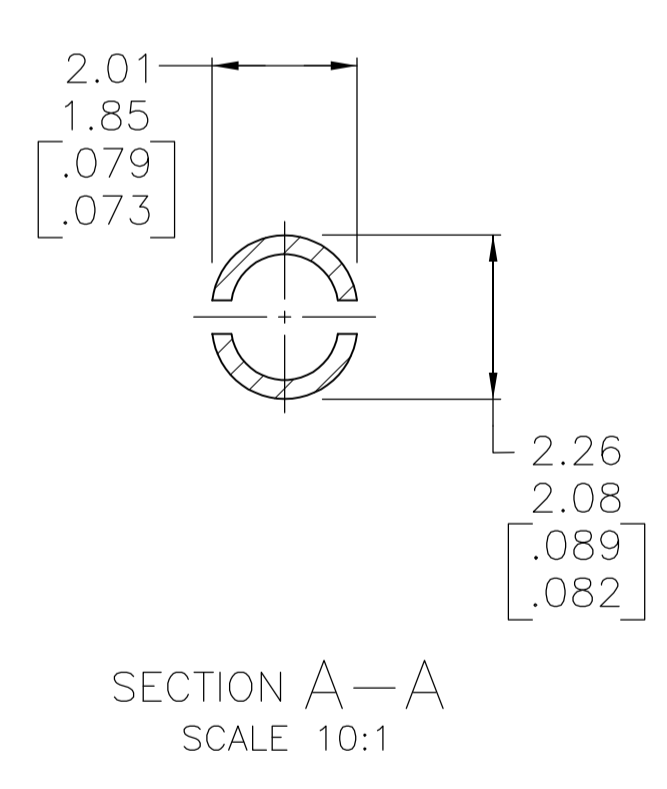
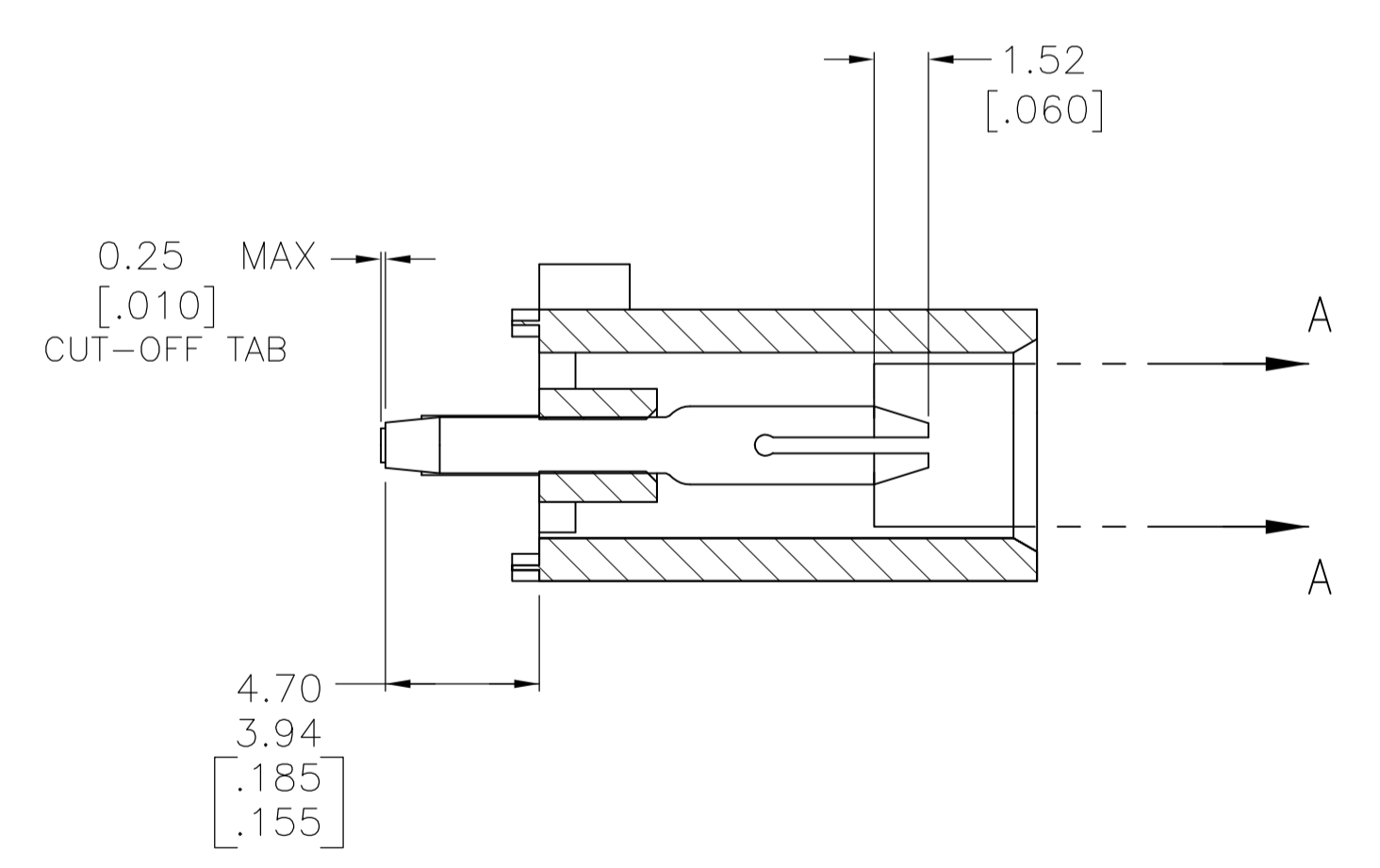
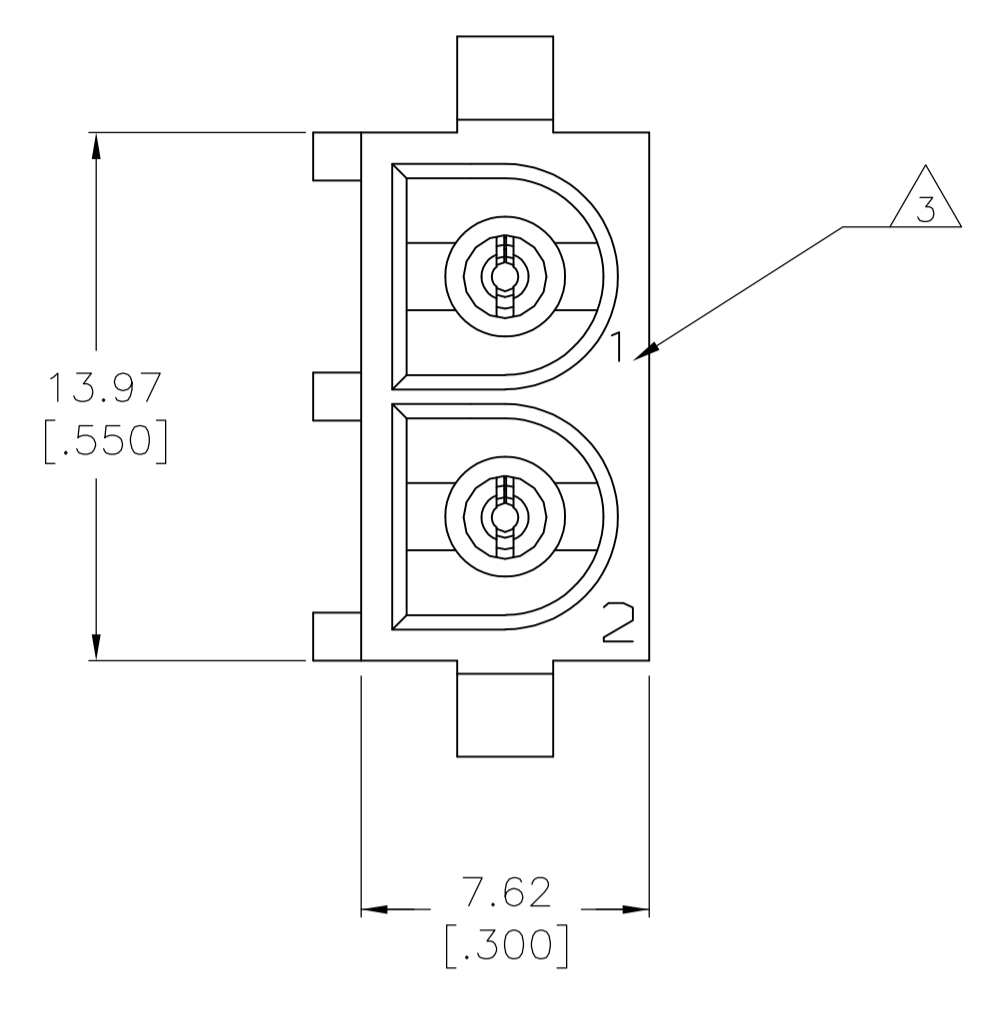
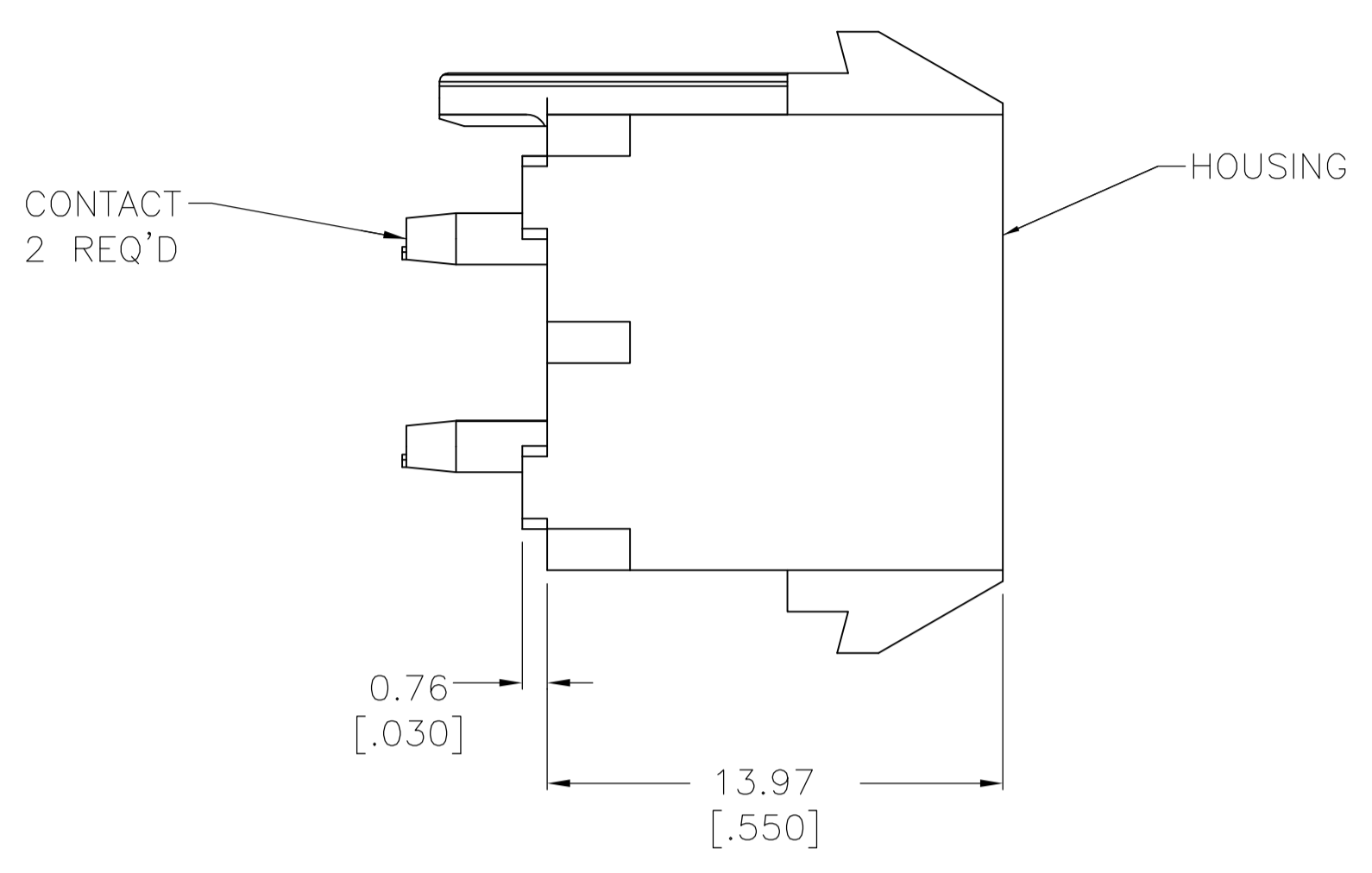
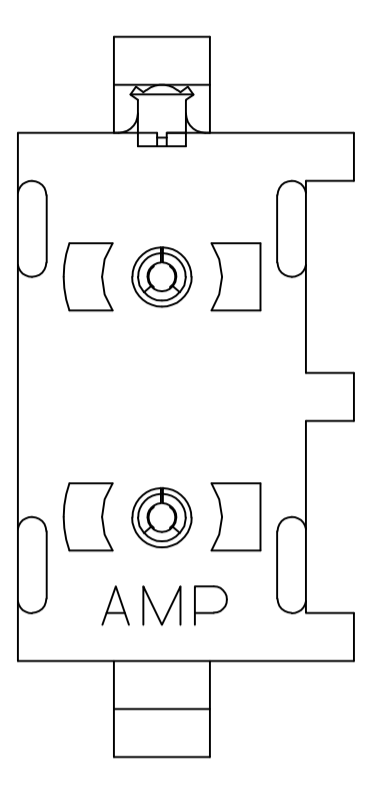


LOC		DIST		REVISIONS			
REV	DATE	DESCRIPTION	DATE	BY	APPV		
A		REVISED PER ECR-16-002640	10MAR2016	BW	EW		

- 1 PARTS COMPLY TO AMP SOLDERABILITY SPECIFICATION 109-11-3.
- 2 DIMENSIONS IN BRACKETS ARE IN INCHES.
- 3  CIRCUIT IDENTIFICATION CHARACTERS ARE ADJACENT TO THE INDICATED CAVITIES, BUT LOCATION AND ORIENTATION MAY DIFFER FROM PRINT.
- 4 FLAMMABILITY UL V-0 FOR THICKNESS 0.4, 0.45, 0.8, 1.6, AND 3.0 PER IEC 60695-11-10.
- 5 GLOW WIRE FLAMMABILITY (GWF): 960°C FOR THICKNESS 0.45, 0.8, 1.6, AND 3.0 PER IEC 60695-2-12.
- 6 GLOW WIRE IGNITION (GWI): 825°C FOR THICKNESS 0.45, 800°C FOR THICKNESS 0.8, 775°C FOR THICKNESS 1.6 AND 3.0 PER IEC 60695-2-13.



THIS DRAWING IS A CONTROLLED DOCUMENT.		DIN 28DEC2015		PHOSPHOR BRONZE, PRE-TIN		NYLON, UL V-0 GW, NATURAL		1969799-1	
DIMENSIONS: mm [INCHES]		TOLERANCES UNLESS OTHERWISE SPECIFIED:		PIN CONTACT MATERIAL AND FINISH		HOUSING MATERIAL		PART NO	
0 PLC ± -		1 PLC ± -		EASVESH WARAD 28DEC2015		TE Connectivity			
1 PLC ± -		2 PLC ± 0.13 [.005]		CHK WICKES, EVAN 28DEC2015					
2 PLC ± -		3 PLC ± -		APVD WICKES, EVAN 28DEC2015					
3 PLC ± -		4 PLC ± -		NAME		PIN HEADER ASSEMBLY, POLARIZED, 2 CIRCUIT			
4 PLC ± -		ANGLES ± 0°30'		APPLICATION SPEC		UNIVERSAL MATE-N-LOK(TM)			
MATERIAL SEE TABLE		FINISH SEE TABLE		WEIGHT		SIZE CASE CODE DRAWING NO		RESTRICTED TO	
				A1 00779		C=1969799		-	
				CUSTOMER DRAWING		SCALE 5:1		SHEET 1 OF 1 REV A	

## X-ON Electronics

Largest Supplier of Electrical and Electronic Components

*Click to view similar products for [Pin & Socket Connectors](#) category:*

*Click to view products by [TE Connectivity](#) manufacturer:*

Other Similar products are found below :

[6450822-1](#) [770392-1](#) [794042-1](#) [796885-1](#) [8-794535-1](#) [PLR3455ACS-222](#) [R929991004](#) [R929993003](#) [1403611-1](#) [1-480349-5](#) [152302-5](#)  
[153211-2](#) [1586092-1](#) [1586129-1](#) [1586681-4](#) [1586700-1](#) [1586368-1](#) [1586380-1](#) [1586616-1](#) [1586680-5](#) [16-06-0038](#) [164164-5](#) [1-6609930-1](#)  
[172296-1](#) [19-09-2035](#) [200503-1](#) [200788-2](#) [2029090-4](#) [2029095-4](#) [925061-7](#) [293734-4](#) [293737-2](#) [1-765362-4](#) [1871534-1](#) [200833-4](#)  
[2008625-2](#) [2029027-2](#) [2029096-4](#) [R929991000](#) [R929991002](#) [R929993000](#) [319-10-101-00-005000](#) [319-10-102-00-001000](#) [319-10-104-00-001000](#) [319-10-105-00-001000](#) [319-10-108-00-001000](#) [319-10-112-00-006000](#) [39-01-8019](#) [319-10-101-00-001000](#) [319-10-102-00-005000](#)