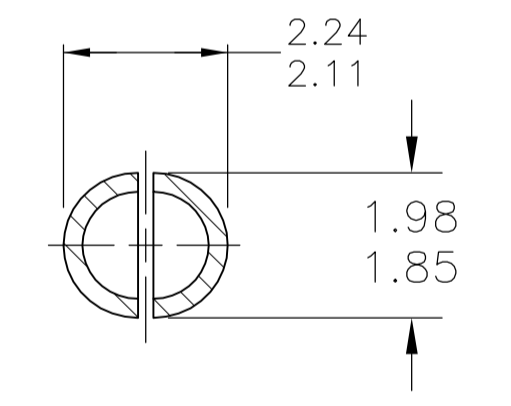
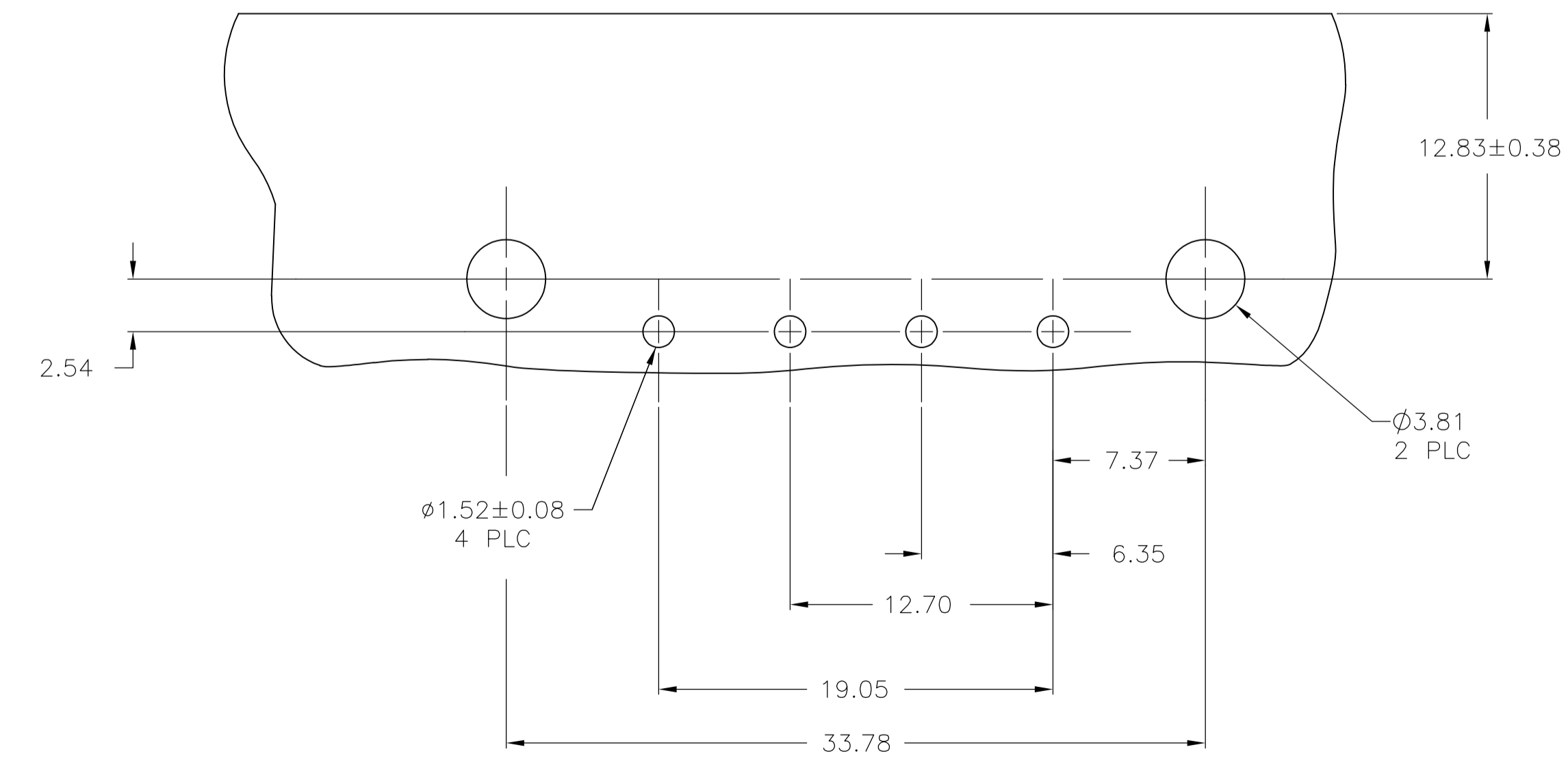


SECTION B-B



SECTION A-A
SCALE 10:1



RECOMMENDED MOUNTING HOLE PATTERN FOR 1.57 THICK P.C. BOARD

- 1 PARTS COMPLY WITH TE SOLDERABILITY SPECIFICATION 109-11-5.
- 2 CIRCUIT IDENTIFICATION CHARACTERS ARE ADJACENT TO THE INDICATED CAVITIES, BUT LOCATION AND ORIENTATION MAY BE DIFFER FROM PRINT.
- 3 OPTIONAL CONSTRUCTION MAY DELETE THIS RIB.
- 4 FLAMMABILITY UL V-0 FOR THICKNESS 0.4, 0.45, 0.8, 1.6, AND 3.0 PER IEC 60695-11-10.
- 5 GLOW WIRE FLAMMABILITY (GWFI): 960°C FOR THICKNESS 0.45, 0.8, 1.6, AND 3.0 PER IEC 60695-2-12.
- 6 GLOW WIRE IGNITION (GWIT): 825°C FOR THICKNESS 0.45, 800°C FOR THICKNESS 0.8, 775°C FOR THICKNESS 1.6 AND 3.0 PER IEC 60695-2-13.

2.54	.100		
2.29	.090	44.32	1.745
2.24	.088	33.78	1.330
2.11	.083	26.67	1.050
1.98	.078	19.05	.750
1.85	.073	17.27	.680
1.57	.062	12.83	.505
1.52	.060	12.70	.500
0.38	.015	9.14	.360
0.25	.010	7.37	.290
0.13	.005	6.35	.250
0.08	.003	4.57	.180
.00127	.000050	4.06	.160
.00076	.000030	3.81	.150
MM	IN	MM	IN

CONVERSION TABLE

PH BRZ PRE-TIN	NYLON, UL V-0 GW	1969805-1
CONTACT	HOUSING	PART NUMBER
STE TE Connectivity		
THIS DRAWING IS A CONTROLLED DOCUMENT. DIMENSIONS: mm TOLERANCES UNLESS OTHERWISE SPECIFIED: 0 PLC ± 1 PLC ± 2 PLC ± 0.13 3 PLC ± 4 PLC ± ANGLES ±		DWG: BASVESH WARAD 01JAN2016 CHK: WICKES EVAN 01JAN2016 APVD: WICKES EVAN 01JAN2016 NAME: PIN HEADER ASSEMBLY, RIGHT ANGLE MOUNT, 4 POSITION, UNIVERSAL MATE-N-LOK(TM) SIZE: A1 CAGE CODE: 000779 DRAWING NO: 1969805 RESTRICTED TO:
MATERIAL: SEE TABLE	FINISH: SEE TABLE	WEIGHT: A1 000779 C=1969805
CUSTOMER DRAWING		SCALE: 4:1 SHEET 1 OF 1 REV A

X-ON Electronics

Largest Supplier of Electrical and Electronic Components

Click to view similar products for [Pin & Socket Connectors](#) category:

Click to view products by [TE Connectivity](#) manufacturer:

Other Similar products are found below :

[6450822-1](#) [770392-1](#) [794042-1](#) [796885-1](#) [8-794535-1](#) [PLR3455ACS-222](#) [R929991004](#) [R929993003](#) [1403611-1](#) [1-480349-5](#) [152302-5](#)
[153211-2](#) [1586092-1](#) [1586129-1](#) [1586681-4](#) [1586700-1](#) [1586368-1](#) [1586380-1](#) [1586616-1](#) [1586680-5](#) [16-06-0038](#) [164164-5](#) [1-6609930-1](#)
[172296-1](#) [19-09-2035](#) [200503-1](#) [200788-2](#) [2029090-4](#) [2029095-4](#) [925061-7](#) [293734-4](#) [293737-2](#) [1-765362-4](#) [1871534-1](#) [200833-4](#)
[2008625-2](#) [2029027-2](#) [2029096-4](#) [R929991000](#) [R929991002](#) [R929993000](#) [319-10-101-00-005000](#) [319-10-102-00-001000](#) [319-10-104-00-001000](#) [319-10-105-00-001000](#) [319-10-108-00-001000](#) [319-10-112-00-006000](#) [39-01-8019](#) [319-10-101-00-001000](#) [319-10-102-00-005000](#)