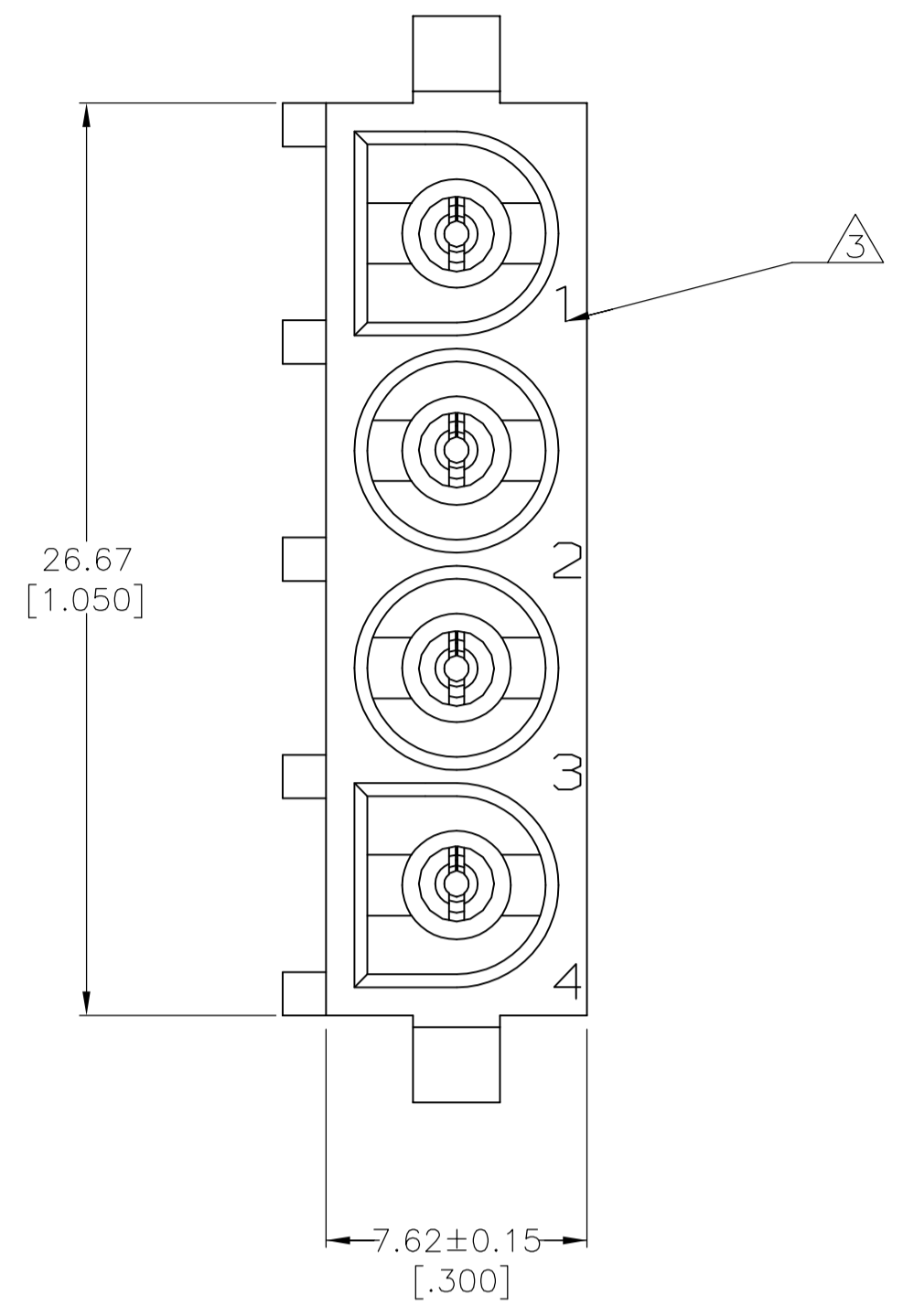
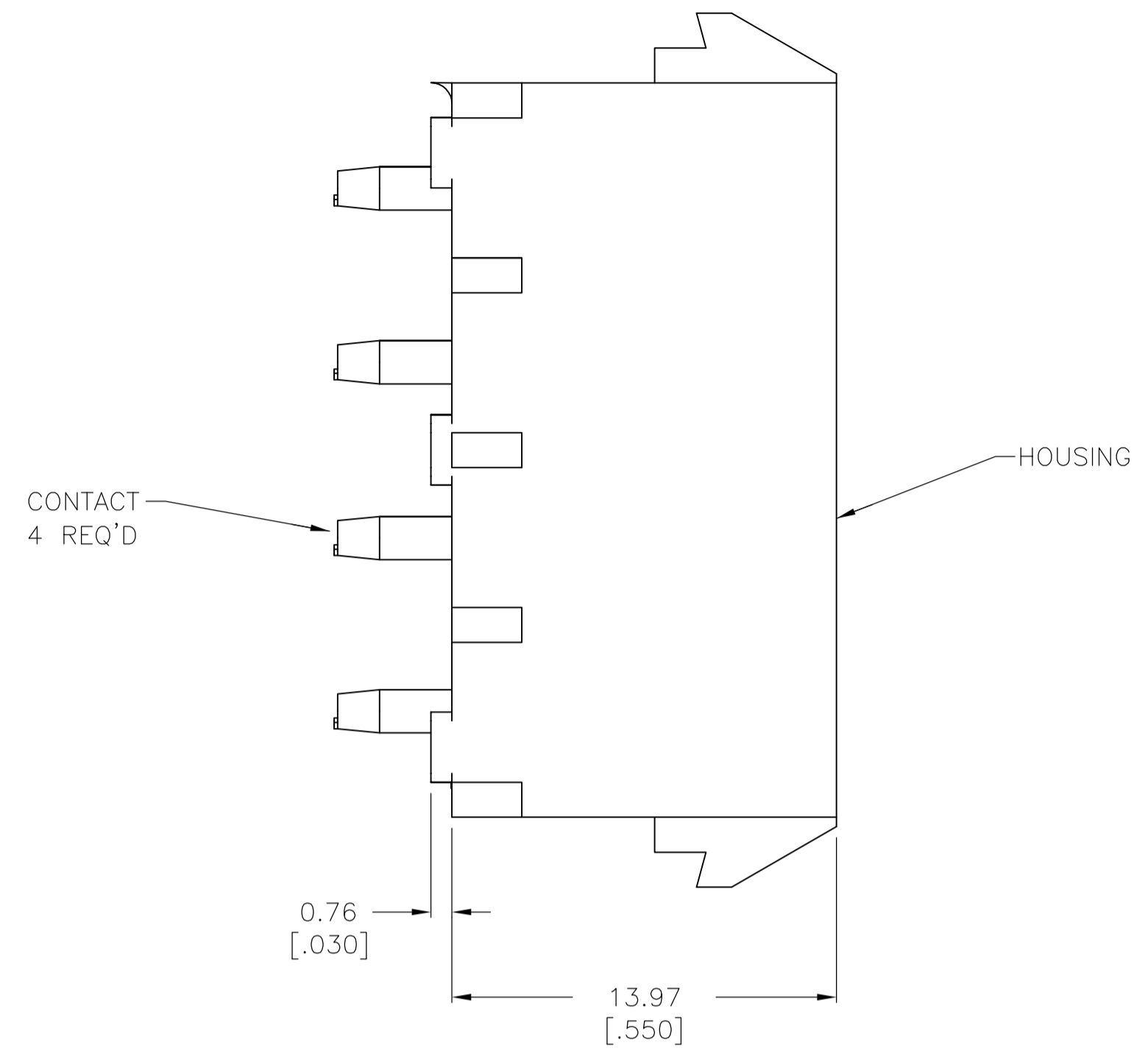
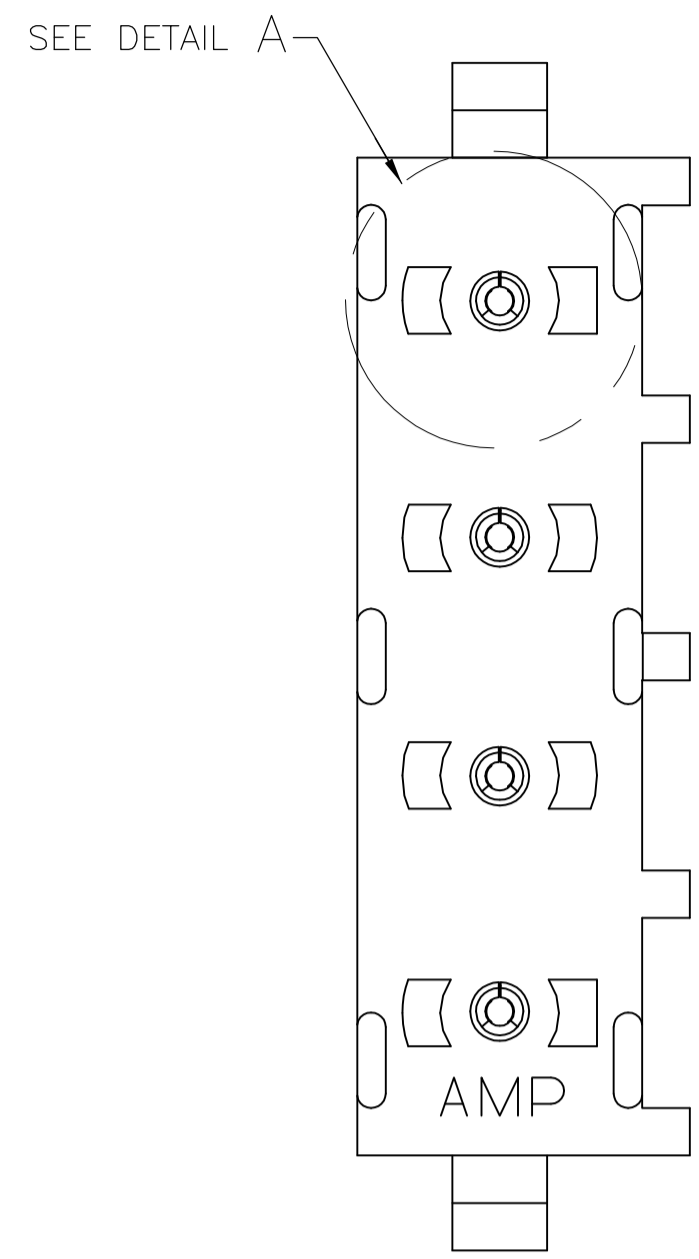
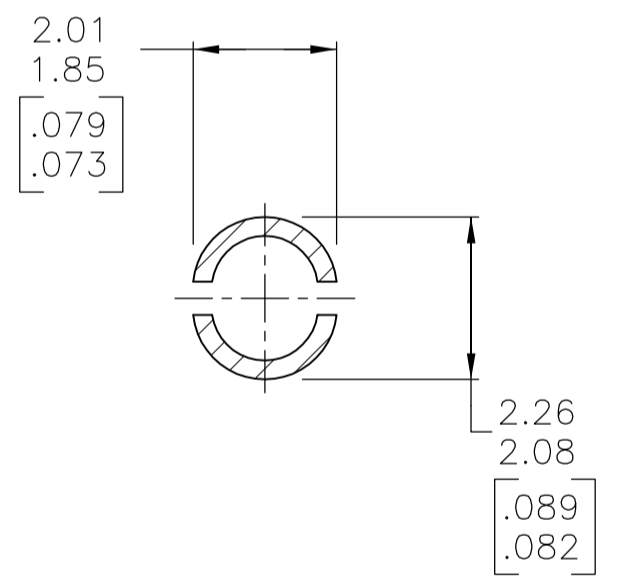
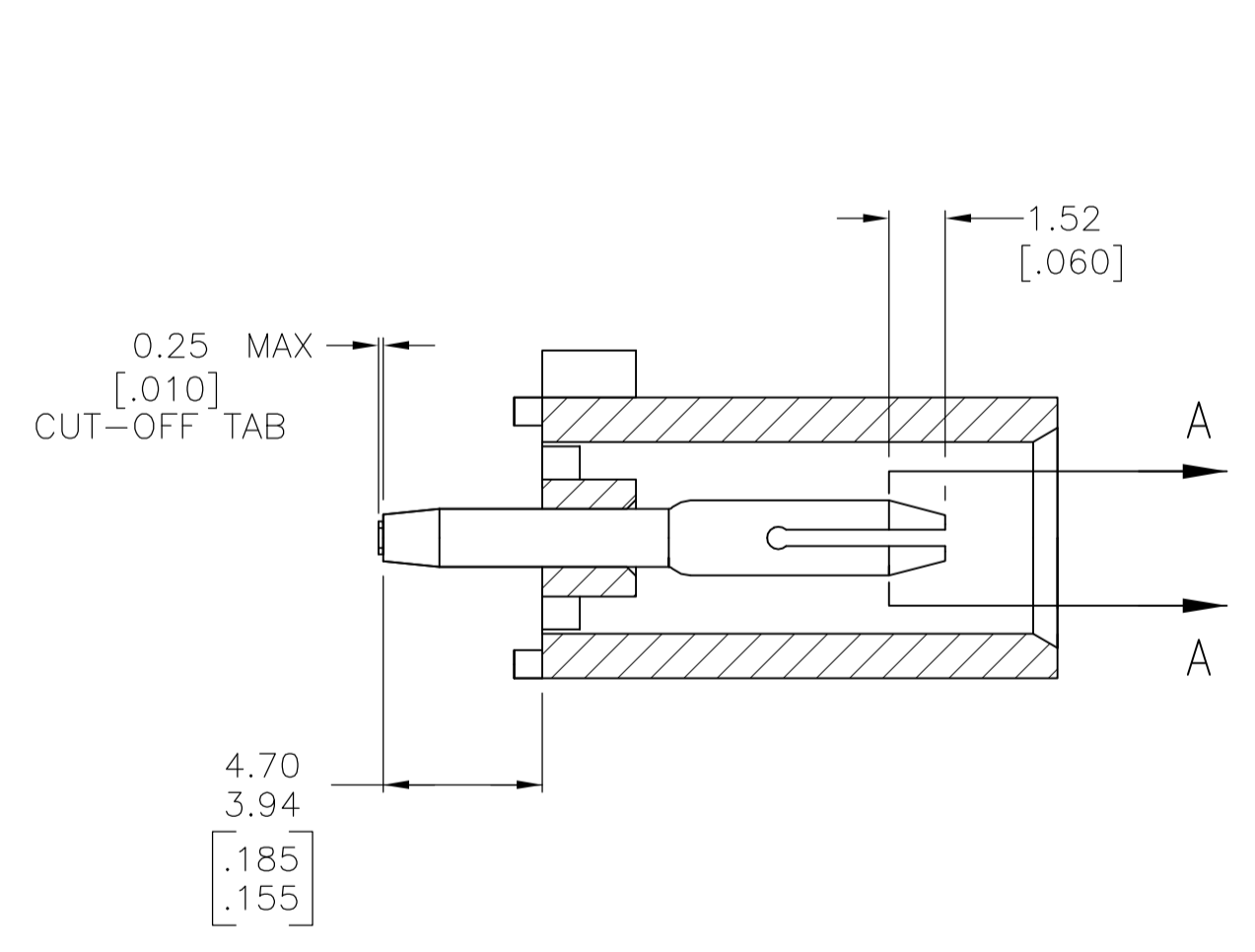


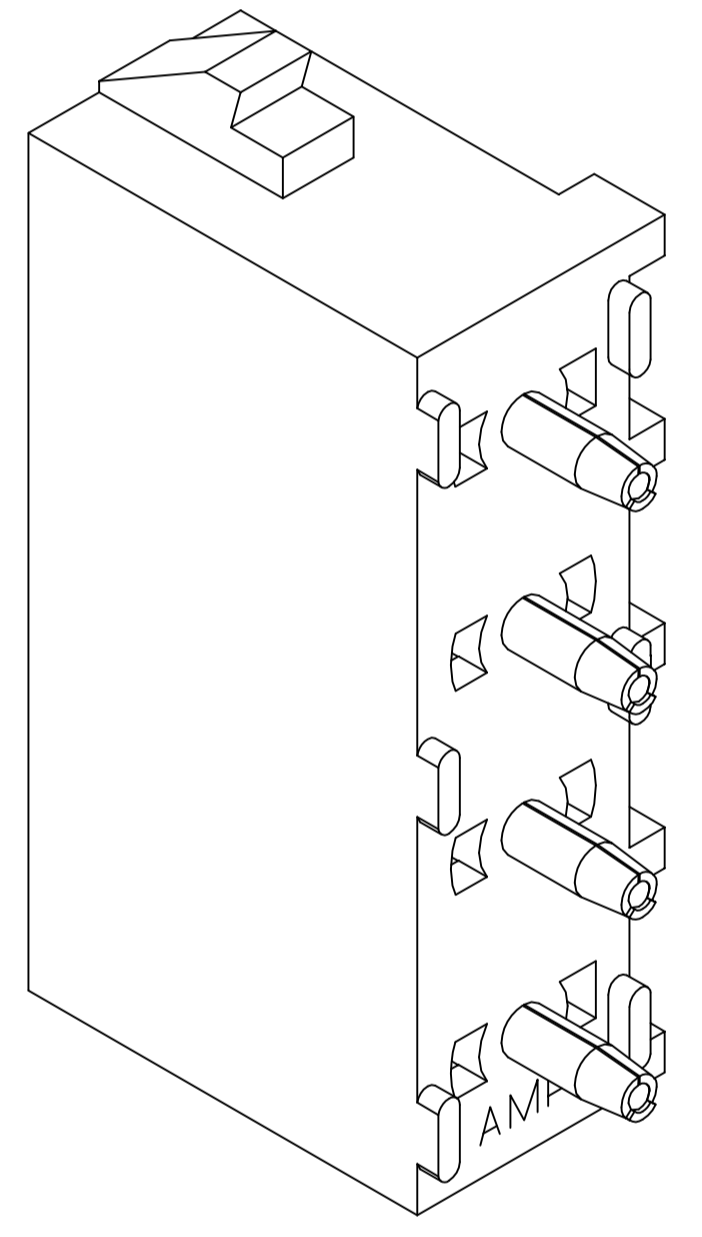
REVISIONS					
P	LTR	DESCRIPTION	DATE	DRN	APVD
A1		REVISED PER ECR-17-007706	05JUL2017	JB	SD



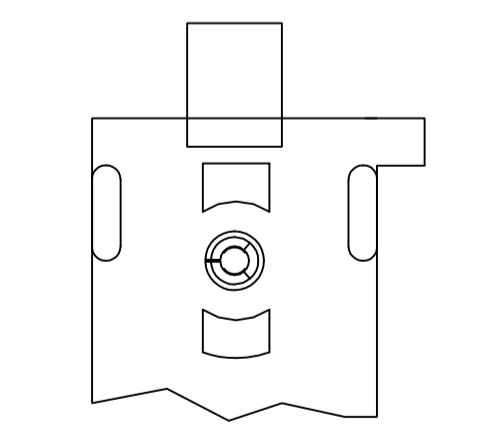
- 1 PARTS COMPLY TO TE SOLDERABILITY SPECIFICATION 109-11-3.
- △ DRAIN HOLES LOCATED AS SHOWN. OPTIONAL CONSTRUCTION - ALL DRAIN HOLES LOCATED 90° AS SHOWN IN DETAIL A.
- △ CIRCUIT IDENTIFICATION CHARACTERS ARE ADJACENT TO THE INDICATED CAVITIES, BUT LOCATION AND ORIENTATION MAY DIFFER FROM PRINT.
- 4 DIMENSIONS IN BRACKETS ARE IN INCHES.
- 5 FLAMMABILITY UL V-0 FOR THICKNESS 0.4, 0.45, 0.8, 1.6, AND 3.0 PER IEC 60695-11-10.
- 6 GLOW WIRE FLAMMABILITY (GWFI): 960°C FOR THICKNESS 0.45, 0.8, 1.6, AND 3.0 PER IEC 60695-2-12.
- 7 GLOW WIRE IGNITION (GWIT): 825°C FOR THICKNESS 0.45, 800°C FOR THICKNESS 0.8, 775°C FOR THICKNESS 1.6 AND 3.0 PER IEC 60695-2-13.



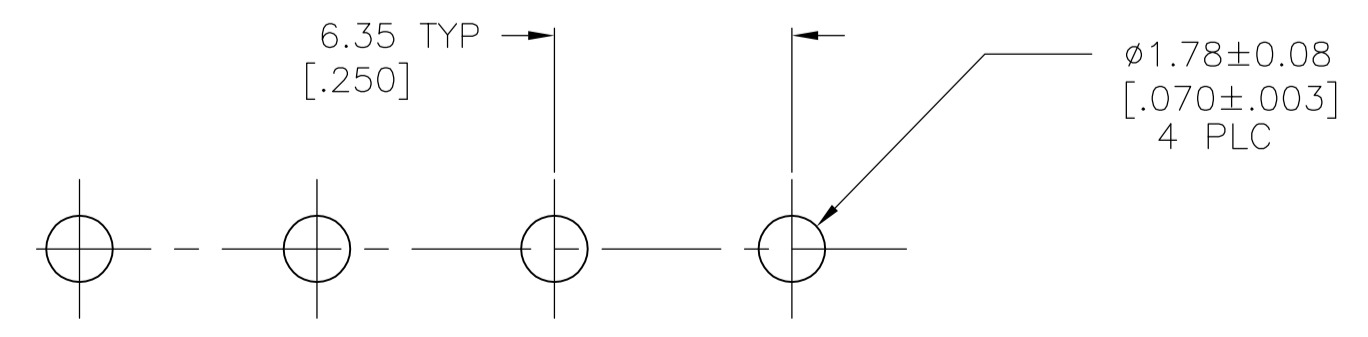
SECTION A-A  
SCALE 10:1



3-DIMENSIONAL MODEL  
NTS



DETAIL A  
OPTIONAL CONSTRUCTION  
△



RECOMMENDED MOUNTING HOLE PATTERN  
FOR 1.57 [.062] THICK P.C. BOARD

PHOSPHOR BRONZE, PRE-TIN	NYLON, UL V-0 CW	1969807-1
PIN CONTACT MATERIAL AND FINISH	HOUSING MATERIAL	PART NUMBER
THIS DRAWING IS A CONTROLLED DOCUMENT.		DRN: BASVESH WARAD 02JAN2016
DIMENSIONS: mm [INCHES]		DRW: WICKES EVAN 02JAN2016
TOLERANCES UNLESS OTHERWISE SPECIFIED:		APVD: WICKES EVAN 02JAN2016
0 PLC ±	1 PLC ±	NAME: WICKES EVAN
2 PLC ± 0.13 [.005]	3 PLC ±	PRODUCT SPEC: -
4 PLC ±	ANGLES ± 0°30'	APPLICATION SPEC: -
MATERIAL: SEE TABLE	FINISH: SEE TABLE	WEIGHT: 0.000000
CUSTOMER DRAWING		SIZE: A1
SCALE: 5:1		SHEET: 1 OF 1
REV: A1		RESTRICTED TO: -

## X-ON Electronics

Largest Supplier of Electrical and Electronic Components

*Click to view similar products for [Pin & Socket Connectors](#) category:*

*Click to view products by [TE Connectivity](#) manufacturer:*

Other Similar products are found below :

[6450822-1](#) [770392-1](#) [794042-1](#) [796885-1](#) [8-794535-1](#) [PLR3455ACS-222](#) [R929991004](#) [R929993003](#) [1403611-1](#) [1-480349-5](#) [152302-5](#)  
[153211-2](#) [1586092-1](#) [1586129-1](#) [1586681-4](#) [1586700-1](#) [1586368-1](#) [1586380-1](#) [1586616-1](#) [1586680-5](#) [16-06-0038](#) [164164-5](#) [1-6609930-1](#)  
[172296-1](#) [19-09-2035](#) [200503-1](#) [200788-2](#) [2029090-4](#) [2029095-4](#) [925061-7](#) [293734-4](#) [293737-2](#) [1-765362-4](#) [1871534-1](#) [200833-4](#)  
[2008625-2](#) [2029027-2](#) [2029096-4](#) [R929991000](#) [R929991002](#) [R929993000](#) [319-10-101-00-005000](#) [319-10-102-00-001000](#) [319-10-104-00-001000](#) [319-10-105-00-001000](#) [319-10-108-00-001000](#) [319-10-112-00-006000](#) [39-01-8019](#) [319-10-101-00-001000](#) [319-10-102-00-005000](#)