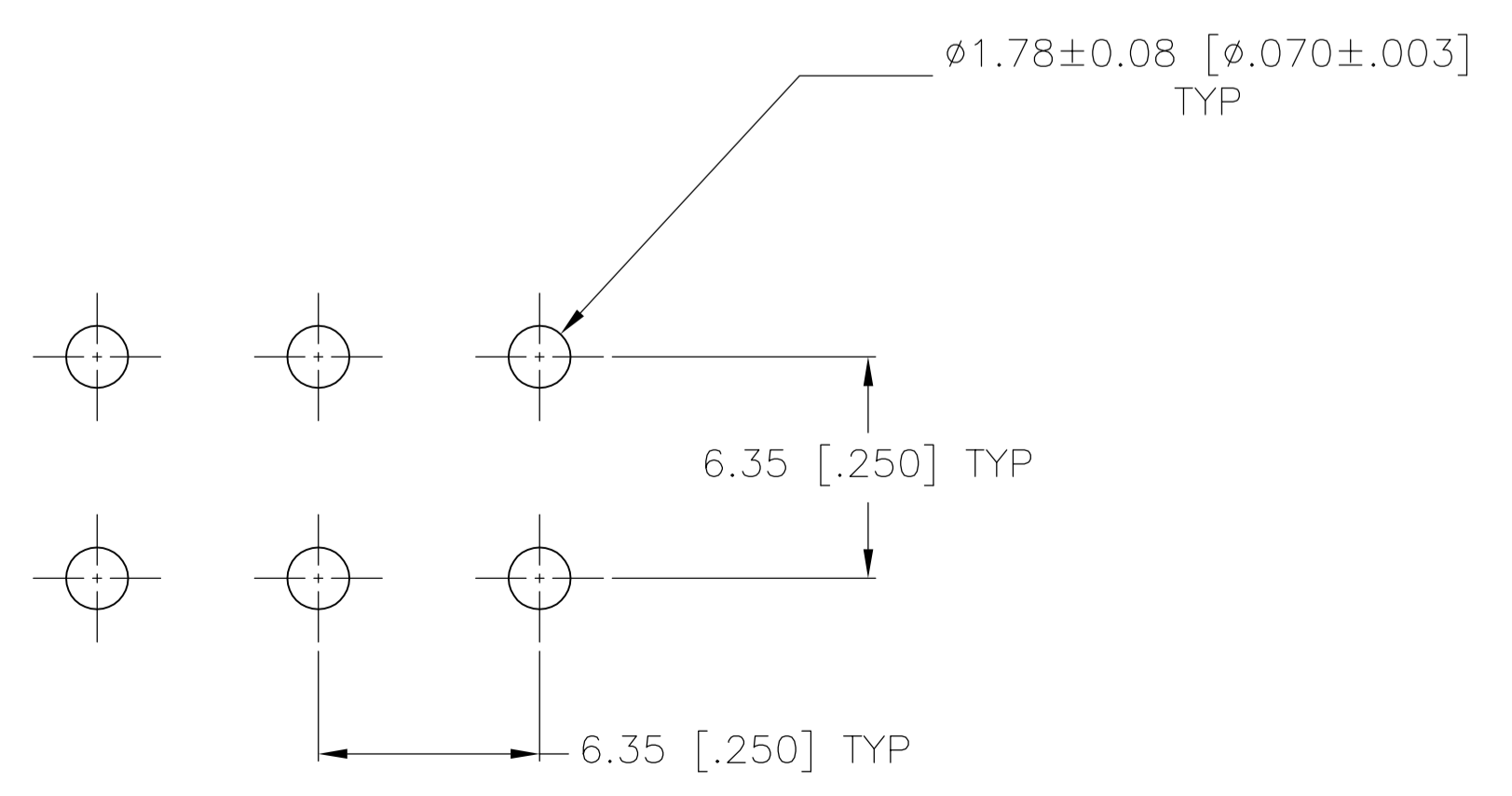
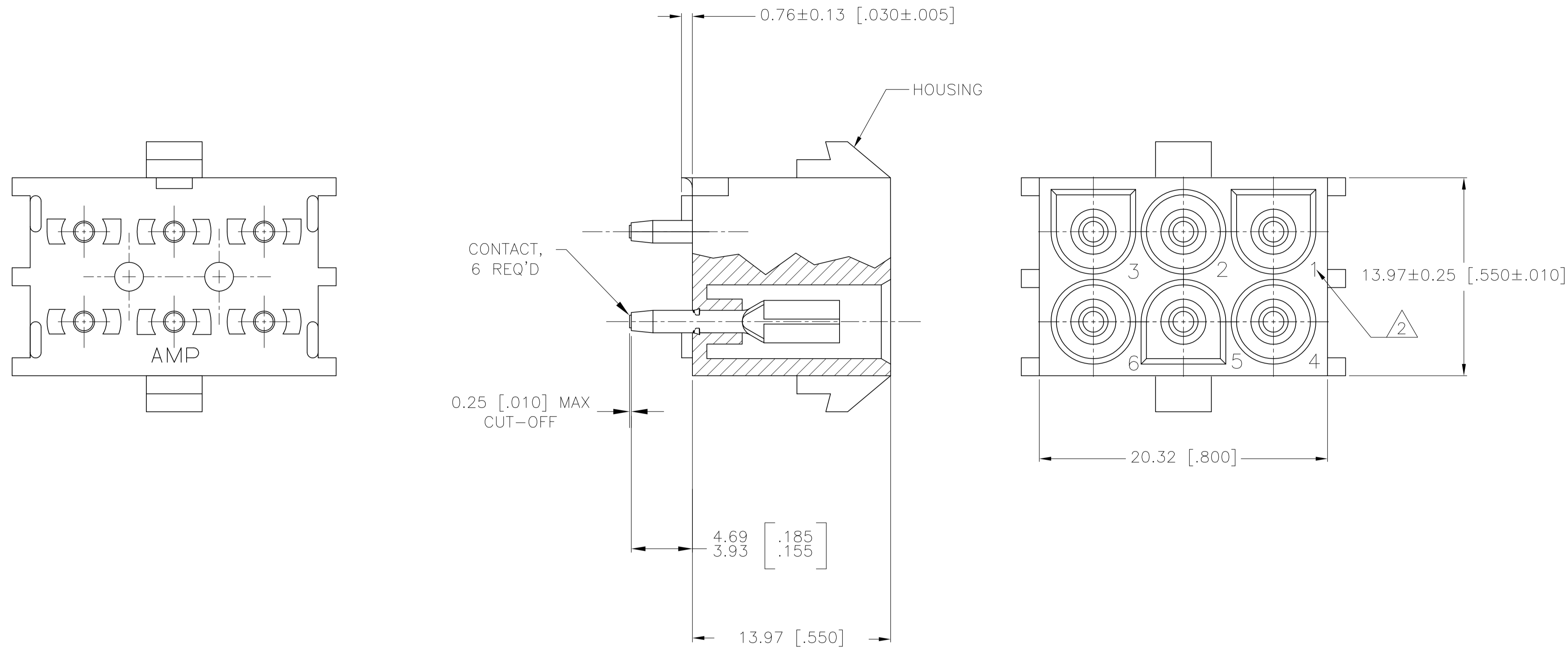


REVISIONS				
P	LTR	DESCRIPTION	DATE	OWN APVD
A1		REVISED PER ECR-17-012945	21SEP2017	JB SD

- 1 PARTS MUST COMPLY WITH AMP SOLDERABILITY SPEC 109-11-3.
- 2 CIRCUIT IDENTIFICATION CHARACTERS ARE ADJACENT TO THE INDICATED CAVITIES, BUT LOCATION AND ORIENTATION MAY DIFFER FROM PRINT.
- 3 FLAMMABILITY UL V-0 FOR THICKNESS 0.4, 0.45, 0.8, 1.6, AND 3.0 PER IEC 60695-11-10.
- 4 GLOW WIRE FLAMMABILITY (GWF): 960°C FOR THICKNESS 0.45, 0.8, 1.6, AND 3.0 PER IEC 60695-2-12.
- 5 GLOW WIRE IGNITION (GWIT): 825°C FOR THICKNESS 0.45, 800°C FOR THICKNESS 0.8, 775°C FOR THICKNESS 1.6 AND 3.0 PER IEC 60695-2-13.



RECOMMENDED LAYOUT FOR 1.58 [.062] THICK PC BOARD

PH BRZ TIN	NYLON, UL V-0 GW, NATURAL	1969811-1
CONTACT	HOUSING	PART NO
THIS DRAWING IS A CONTROLLED DOCUMENT. DWN: BASVESH WARAD 07JAN2016 DRW: WICKES EVAN 07JAN2016 APVD: WICKES EVAN 07JAN2016 NAME: WICKES EVAN PRODUCT SPEC: 6 CIRCUIT UNIVERSAL MATE-N-LOK (TM) P.C. BOARD SOCKET HEADER ASSEMBLY APPLICATION SPEC: — WEIGHT: 0.000000 CUSTOMER DRAWING		
DIMENSIONS: mm [INCHES] 0 PLC ± 1 PLC ± 2 PLC ± 3 PLC ± 0.13 [.005] 4 PLC ± ANGLES ±		TOLERANCES UNLESS OTHERWISE SPECIFIED: TYP
MATERIAL: SEE TABLE	FINISH: SEE TABLE	RESTRICTED TO: A1 00779 C-1969811
SCALE: 5:1		SHEET 1 OF 1 REV A1

X-ON Electronics

Largest Supplier of Electrical and Electronic Components

Click to view similar products for [Pin & Socket Connectors](#) category:

Click to view products by [TE Connectivity](#) manufacturer:

Other Similar products are found below :

[6450822-1](#) [770392-1](#) [794042-1](#) [796885-1](#) [8-794535-1](#) [PLR3455ACS-222](#) [R929991004](#) [R929993003](#) [1403611-1](#) [1-480349-5](#) [152302-5](#)
[153211-2](#) [1586092-1](#) [1586129-1](#) [1586681-4](#) [1586700-1](#) [1586368-1](#) [1586380-1](#) [1586616-1](#) [1586680-5](#) [16-06-0038](#) [164164-5](#) [1-6609930-1](#)
[172296-1](#) [19-09-2035](#) [200503-1](#) [200788-2](#) [2029090-4](#) [2029095-4](#) [925061-7](#) [293734-4](#) [293737-2](#) [1-765362-4](#) [1871534-1](#) [200833-4](#)
[2008625-2](#) [2029027-2](#) [2029096-4](#) [R929991000](#) [R929991002](#) [R929993000](#) [319-10-101-00-005000](#) [319-10-102-00-001000](#) [319-10-104-00-001000](#) [319-10-105-00-001000](#) [319-10-108-00-001000](#) [319-10-112-00-006000](#) [39-01-8019](#) [319-10-101-00-001000](#) [319-10-102-00-005000](#)