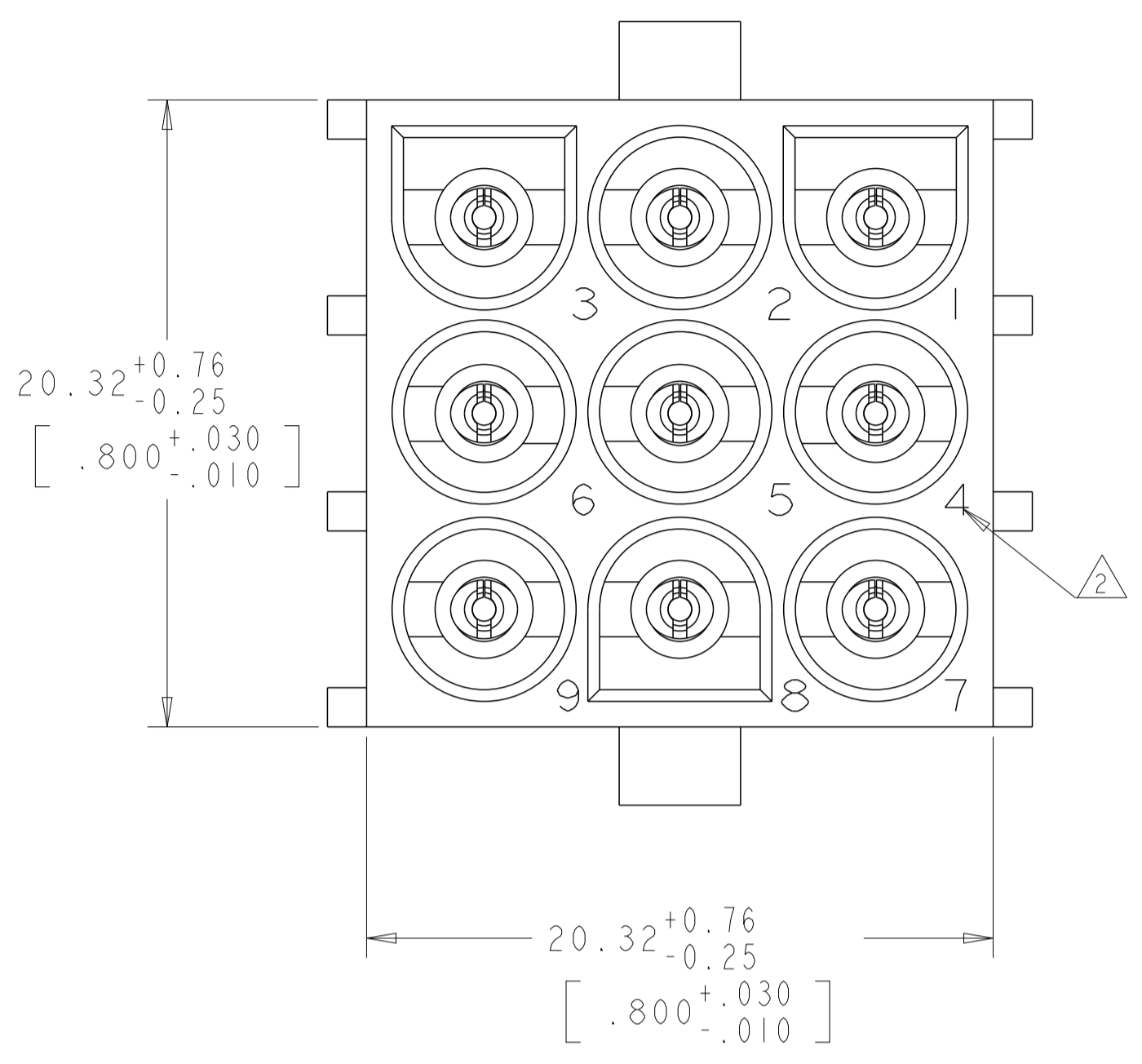
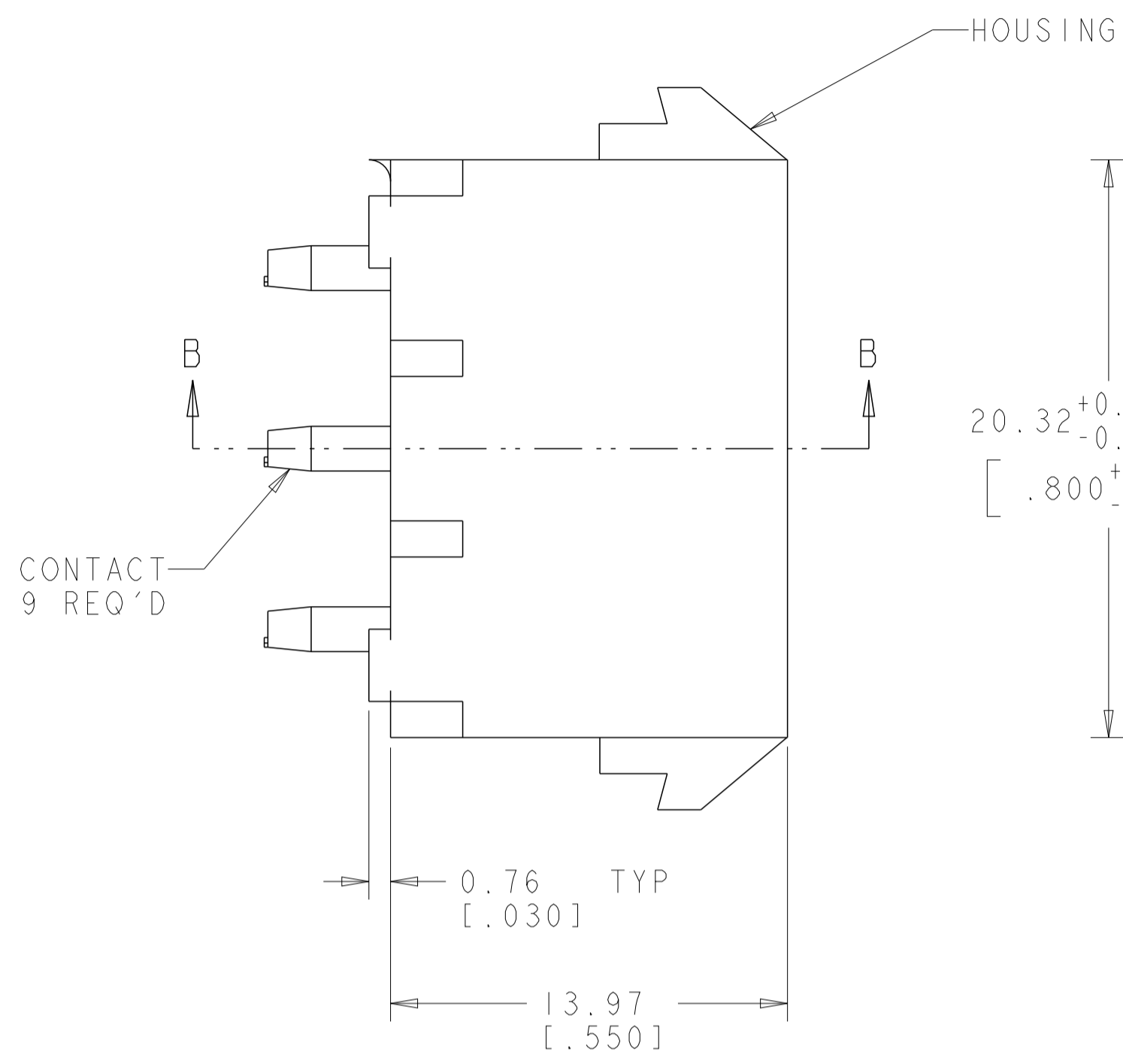
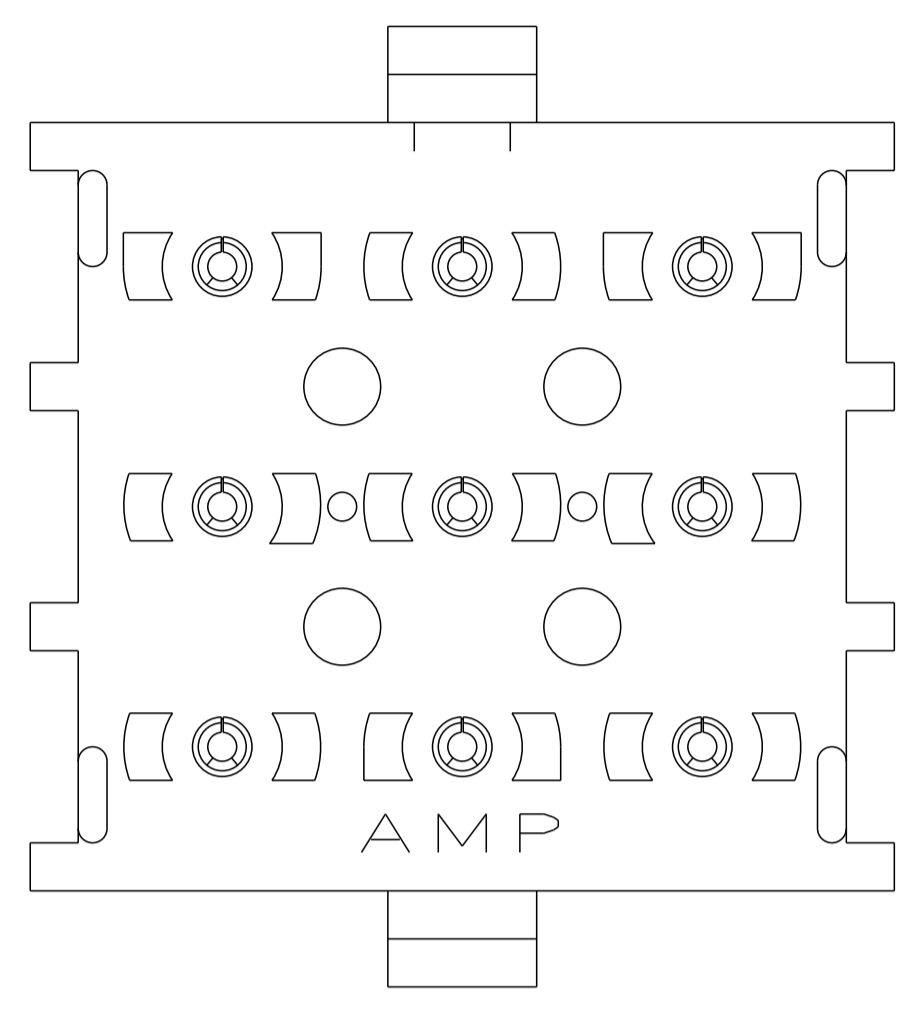
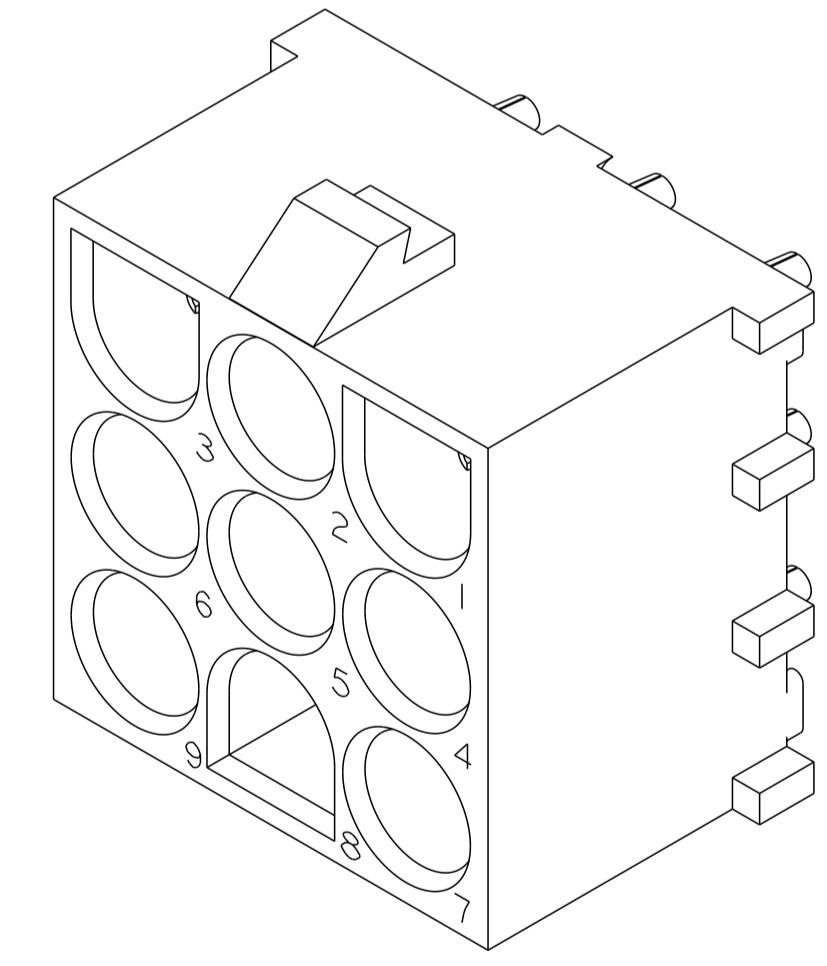
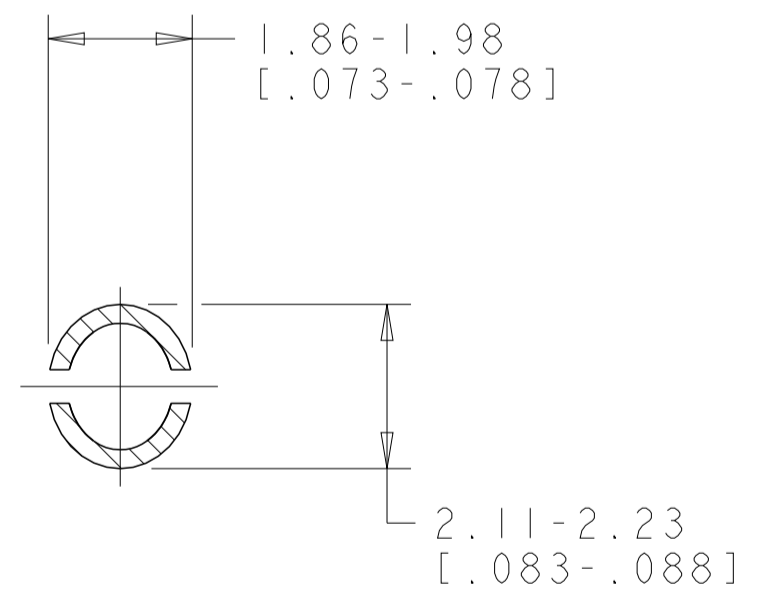
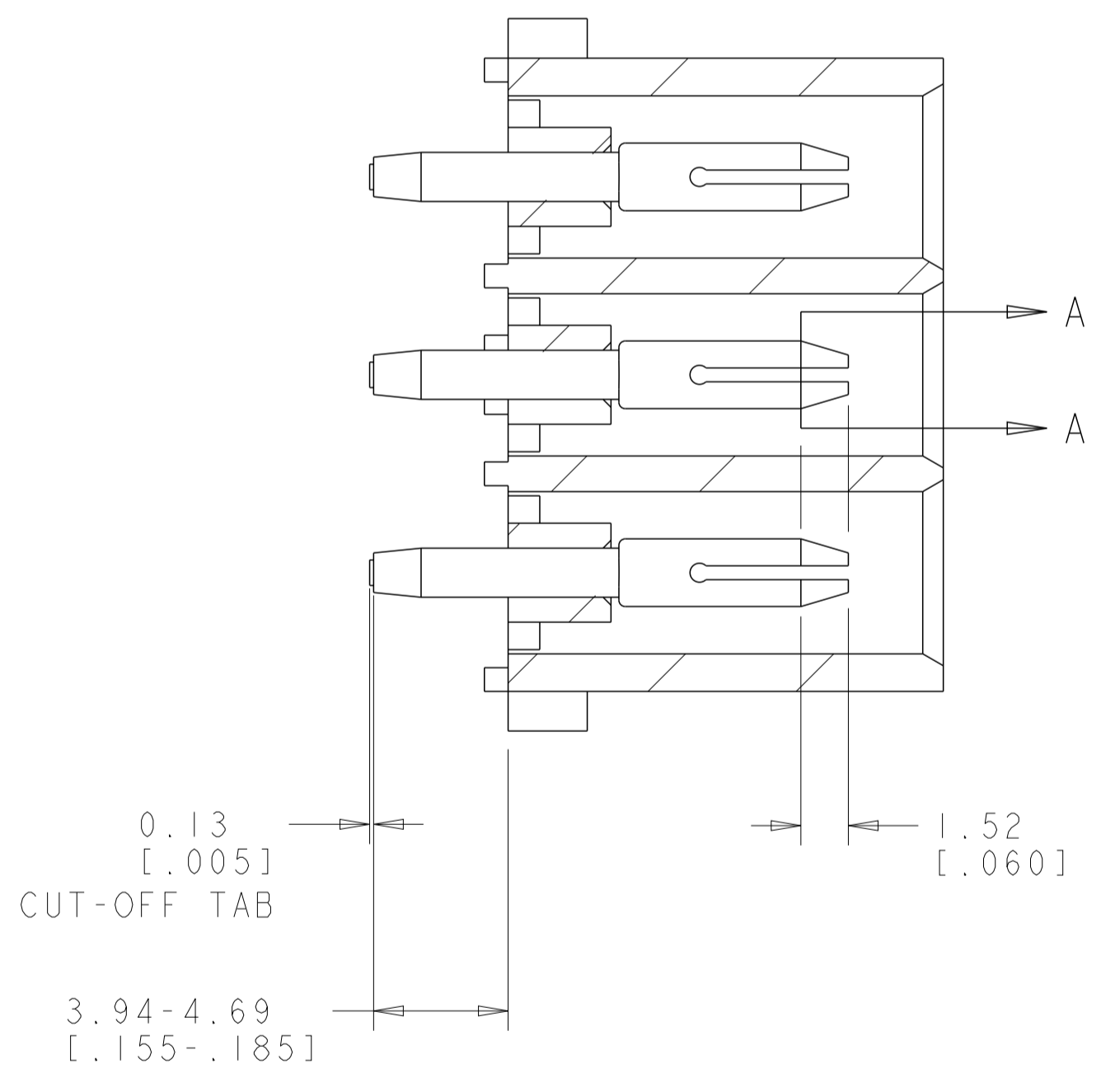


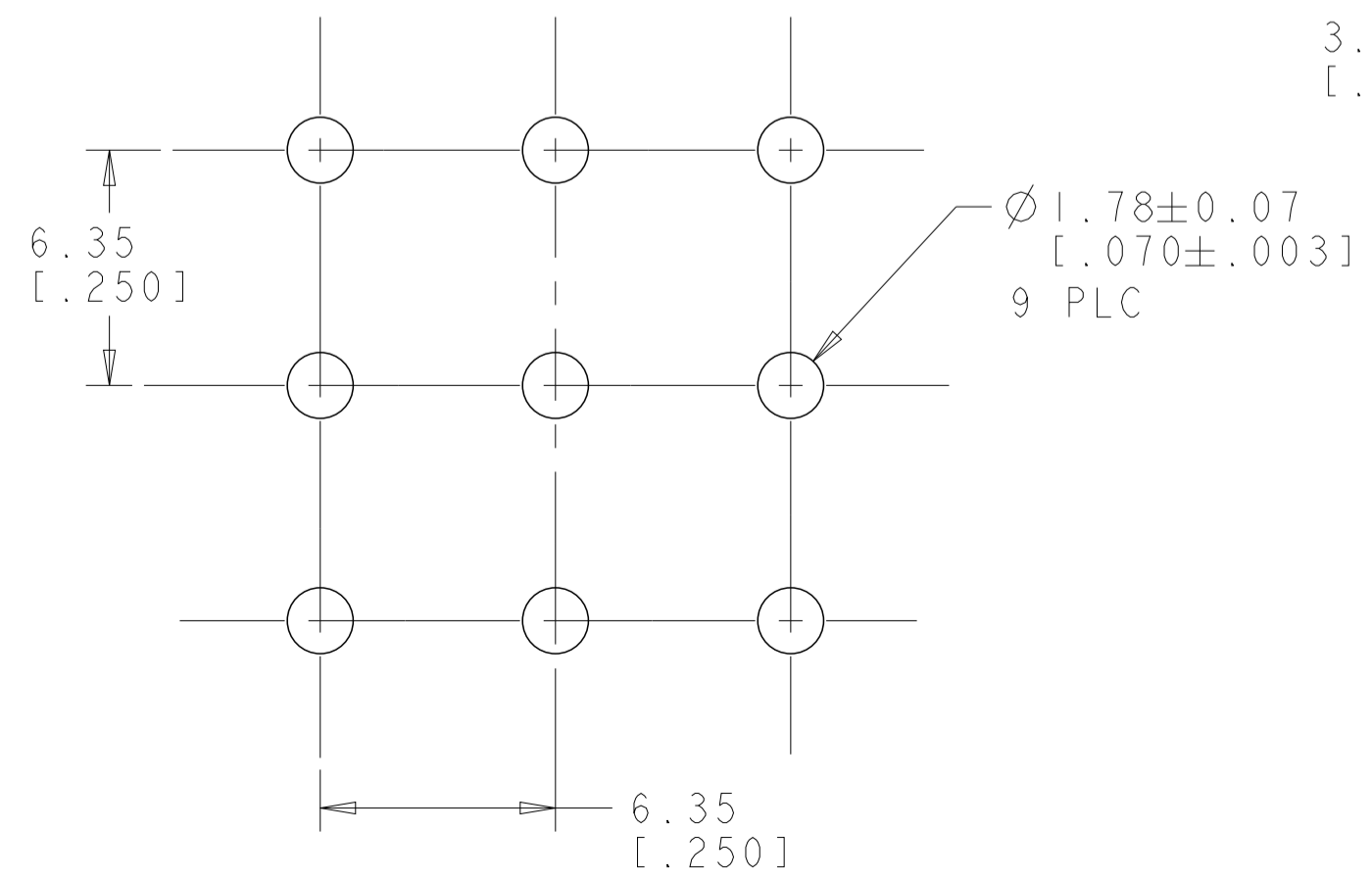
REVISIONS				
P	LTN	DESCRIPTION	DATE	APVD
A		REVISED PER ECR-16-002640	10MAR2016	BW EW



- PARTS COMPLY TO AMP SOLDERABILITY SPECIFICATION 109-11-3.
- CIRCUIT IDENTIFICATION CHARACTERS ARE ADJACENT TO THE INDICATED CAVITIES, BUT LOCATION AND ORIENTATION MAY DIFFER FROM PRINT.
- FLAMMABILITY UL V-0 FOR THICKNESS 0.4, 0.45, 0.8, 1.6, AND 3.0 PER IEC 60695-11-10.
- GLOW WIRE FLAMMABILITY (GWF1): 960°C FOR THICKNESS 0.45, 0.8, 1.6, AND 3.0 PER IEC 60695-2-12.
- GLOW WIRE IGNITION (GWIT): 825°C FOR THICKNESS 0.45, 800°C FOR THICKNESS 0.8, 775°C FOR THICKNESS 1.6 AND 3.0 PER IEC 60695-2-13.



SCALE 4:1



RECOMMENDED MOUNTING HOLE PATTERN FOR 1.57 [.062] THICK P.C. BOARD

PHOSPOR BRONZE, PRE-TIN	NYLON, UL V-0 GW, NATURAL	1969818-1
PIN CONTACT MATERIAL AND FINISH	HOUSING MATERIAL AND COLOR	PART NUMBER

THIS DRAWING IS A CONTROLLED DOCUMENT.		DWN: BASVESH WARAD 25DEC2015	TE Connectivity
DIMENSIONS: mm [INCHES]		CHK: WICKES, EVAN 25DEC2015	
TOLERANCES UNLESS OTHERWISE SPECIFIED:		APVD: WICKES, EVAN 25DEC2015	NAME: PIN HEADER ASSEMBLY, 9 CIRCUIT, UNIVERSAL MATE-N-LOK(TM) SIZE: CAGE CODE DRAWING NO: A100779C=1969818 RESTRICTED TO:
0 PLC ± 1 PLC ±0.13(.005) 2 PLC ± 3 PLC ± 4 PLC ± ANGLES ±40°30'		PRODUCT SPEC: APPLICATION SPEC: WEIGHT:	
MATERIAL: SEE TABLE	FINISH: SEE TABLE	CUSTOMER DRAWING	SCALE 5:1 SHEET 1 OF 1 REV A

X-ON Electronics

Largest Supplier of Electrical and Electronic Components

Click to view similar products for [Pin & Socket Connectors](#) category:

Click to view products by [TE Connectivity](#) manufacturer:

Other Similar products are found below :

[6450822-1](#) [770392-1](#) [794042-1](#) [796885-1](#) [8-794535-1](#) [PLR3455ACS-222](#) [R929991004](#) [R929993003](#) [1403611-1](#) [1-480349-5](#) [152302-5](#)
[153211-2](#) [1586092-1](#) [1586129-1](#) [1586681-4](#) [1586700-1](#) [1586368-1](#) [1586380-1](#) [1586616-1](#) [1586680-5](#) [16-06-0038](#) [164164-5](#) [1-6609930-1](#)
[172296-1](#) [19-09-2035](#) [200503-1](#) [200788-2](#) [2029090-4](#) [2029095-4](#) [925061-7](#) [293734-4](#) [293737-2](#) [1-765362-4](#) [1871534-1](#) [200833-4](#)
[2008625-2](#) [2029027-2](#) [2029096-4](#) [R929991000](#) [R929991002](#) [R929993000](#) [319-10-101-00-005000](#) [319-10-102-00-001000](#) [319-10-104-00-001000](#) [319-10-105-00-001000](#) [319-10-108-00-001000](#) [319-10-112-00-006000](#) [39-01-8019](#) [319-10-101-00-001000](#) [319-10-102-00-005000](#)