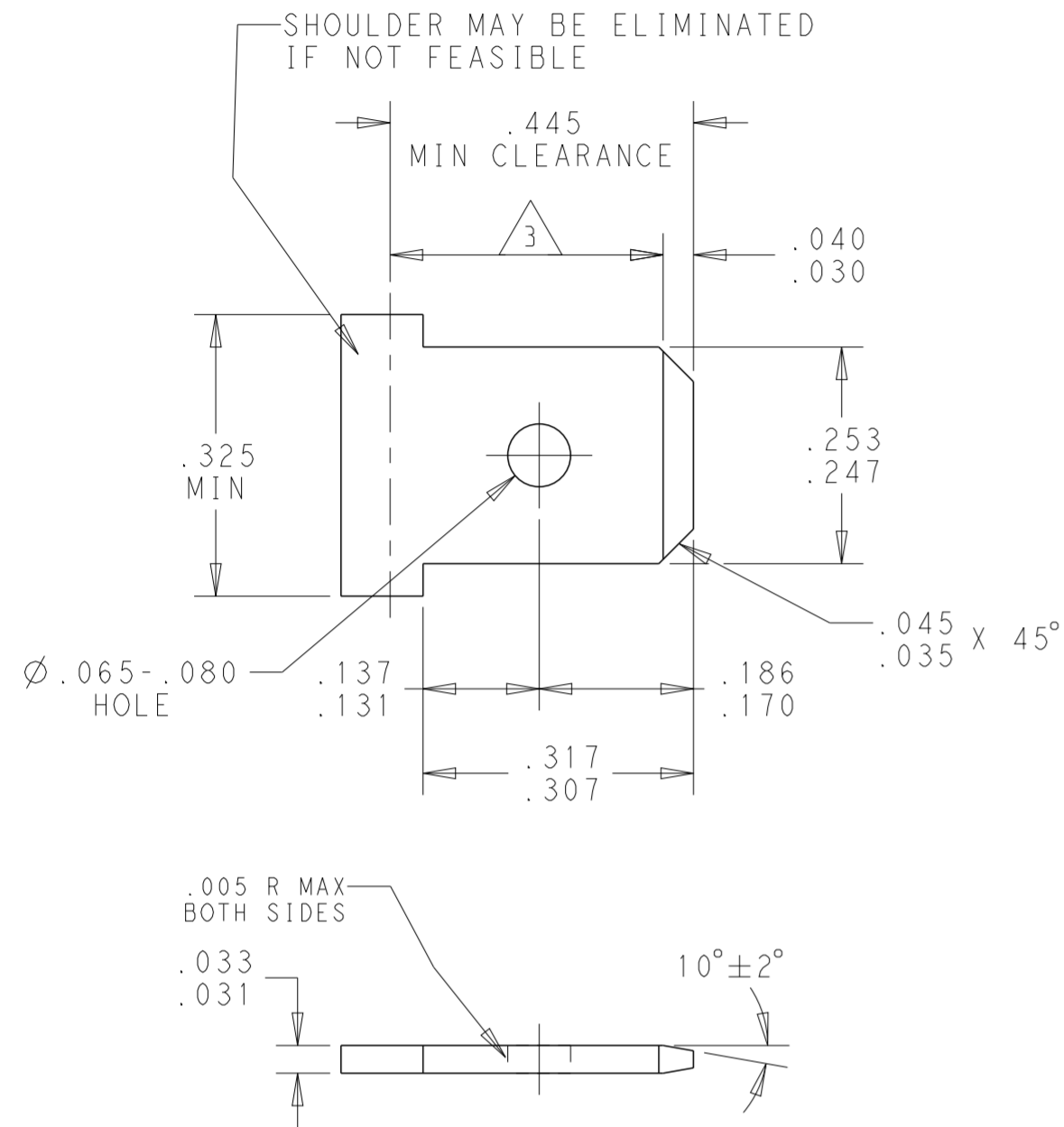
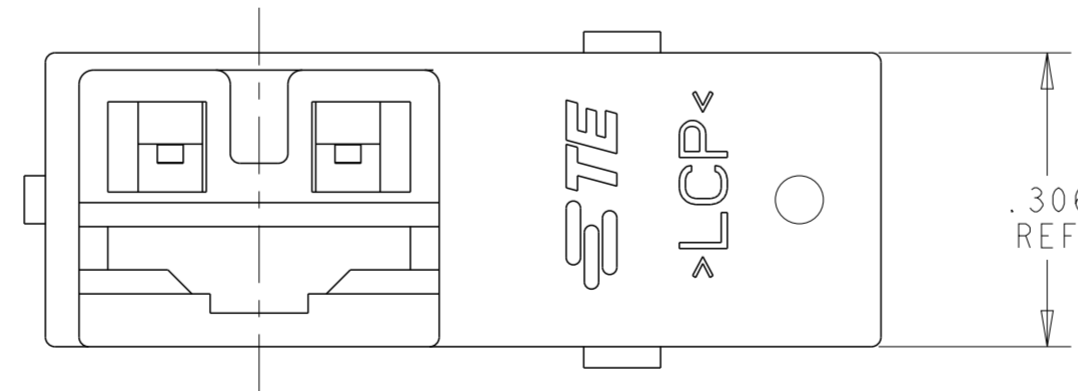
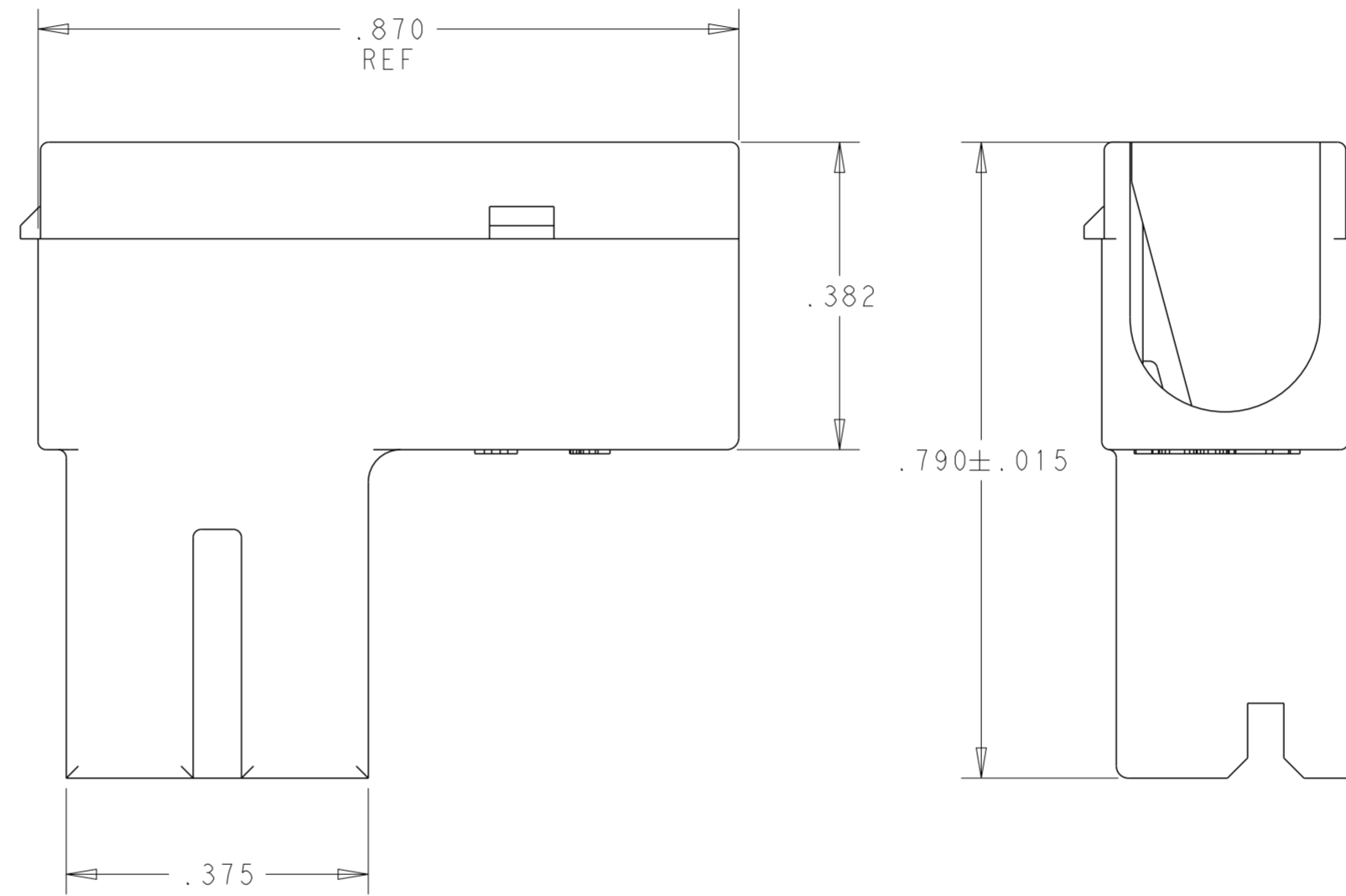
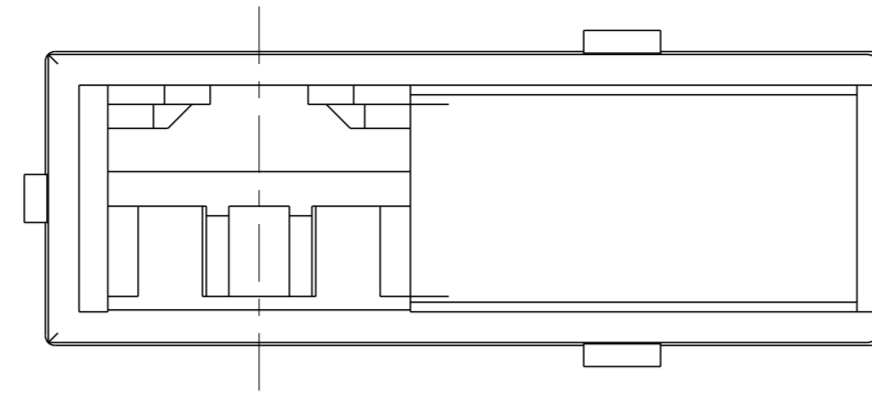


REVISIONS				
P	LTR	DESCRIPTION	DATE	APVD
	A	REVISED PER ECR-17-015197	23OCT2017	BDA MD

### SUGGESTED MATING TAB



- 1 MATERIAL: 1/2 H BRASS OR NICKEL PL STEEL.
- 2 NO BURRS PERMISSIBLE AT HOLE.
- 3 MUST BE FLAT WITHIN 0.076 [.003] OVER THIS LENGTH.
- 4 TIN PLATING IS REQUIRED ON BRASS WHEN TERMINAL TEMP. IS OVER 225°F
- 5 HOLE MUST BE SYMMETRICAL ABOUT TAB  $\phi$  WITHIN 0.076 [.003]  
\* TO BE USED ONLY WHEN SHOULDER IS ELIMINATED.



- 1 FOR USE WITH MKII POSITIVE LOCK TERMINALS 2238141, 2238106 AND 2238105
- 2 THIS PRODUCT HAS NOT COMPLETED QUALIFICATION TESTING

LCP	1969823-1	2
MATERIAL	PART NUMBER	

THIS DRAWING IS A CONTROLLED DOCUMENT.		DWN BASVESH WARAD 13JAN2016	TE Connectivity	
DIMENSIONS: in		CHK DIDONATO, MICHAEL 13JAN2016		
TOLERANCES UNLESS OTHERWISE SPECIFIED:		APVD DIDONATO, MICHAEL 13JAN2016	NAME FASTON HOUSING	
0 PLC ±	1 PLC ±	PRODUCT SPEC 108-143022	-	
2 PLC ±	3 PLC ±.010	APPLICATION SPEC -	SIZE A2	CAGE CODE -
4 PLC ±	ANGLES ±	WEIGHT -	DRAWING NO C-1969823	RESTRICTED TO -
MATERIAL LCP	FINISH -	CUSTOMER DRAWING	SCALE 5:1	SHEET 1 OF 1
				REV A

## X-ON Electronics

Largest Supplier of Electrical and Electronic Components

*Click to view similar products for [Terminals](#) category:*

*Click to view products by [TE Connectivity](#) manufacturer:*

Other Similar products are found below :

[00-054007-01074-6](#) [00-054007-70206-1](#) [00-054007-70210-8](#) [00-054007-70217-7](#) [00-054007-70226-9](#) [00-054007-70228-3](#) [00-054007-70248-1](#) [00-054007-70256-6](#) [00-054007-70301-3](#) [00-054007-70316-7](#) [0-0320562-0](#) [00-054007-49560-4](#) [00-054007-70209-2](#) [00-054007-70225-2](#) [00-054007-70227-6](#) [00-054007-70231-3](#) [00-054007-70241-2](#) [00-054007-70242-9](#) [00-054007-70244-3](#) [00-054007-70246-7](#) [00-054007-70263-4](#) [00-054007-70288-7](#) [00-054007-70290-0](#) [00-054007-70300-6](#) [00-054007-70304-4](#) [01-2065-1-0216](#) [01-2900-1-04412](#) [00581P0075](#) [600TS-10](#) [60205-1](#) [604200-1](#) [605601-1](#) [60598-1-CUT-TAPE](#) [61314-6-C](#) [61810-3](#) [61-S](#) [61-SN](#) [626-0194](#) [62-NBM-A](#) [62-SN](#) [62-SP](#) [63-S](#) [640179-1](#) [M55155/059I03](#) [M55155/079C01](#) [M55155/099H02](#) [M55155/109H01](#) [M55155/109H02](#) [M55155/12XH05](#) [M55155/16XH02](#)