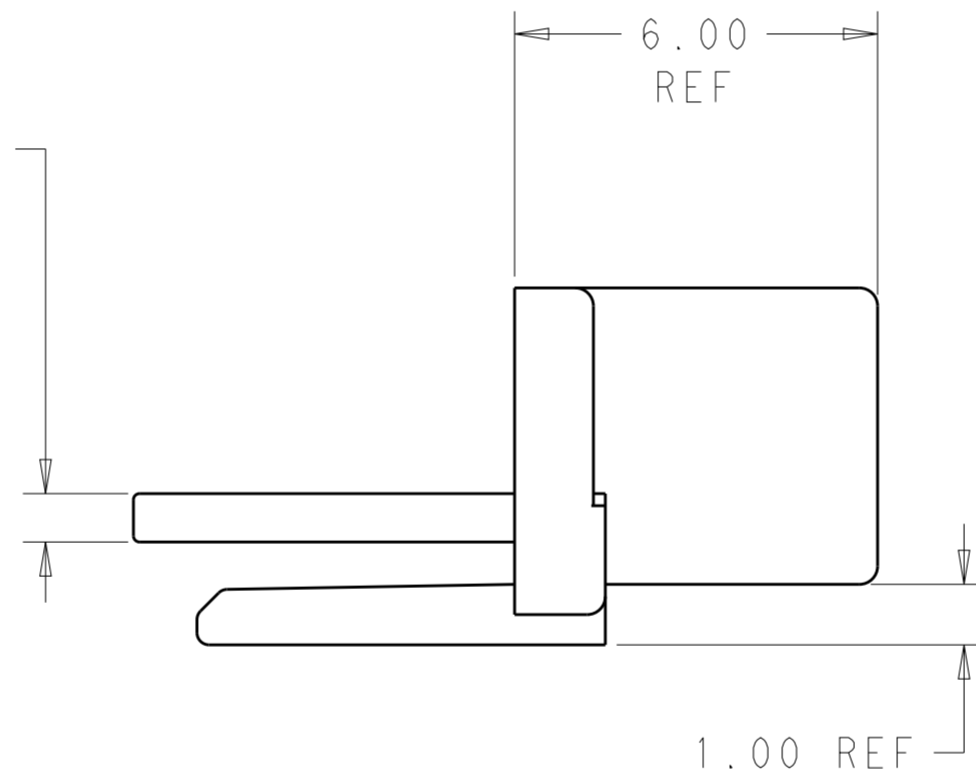
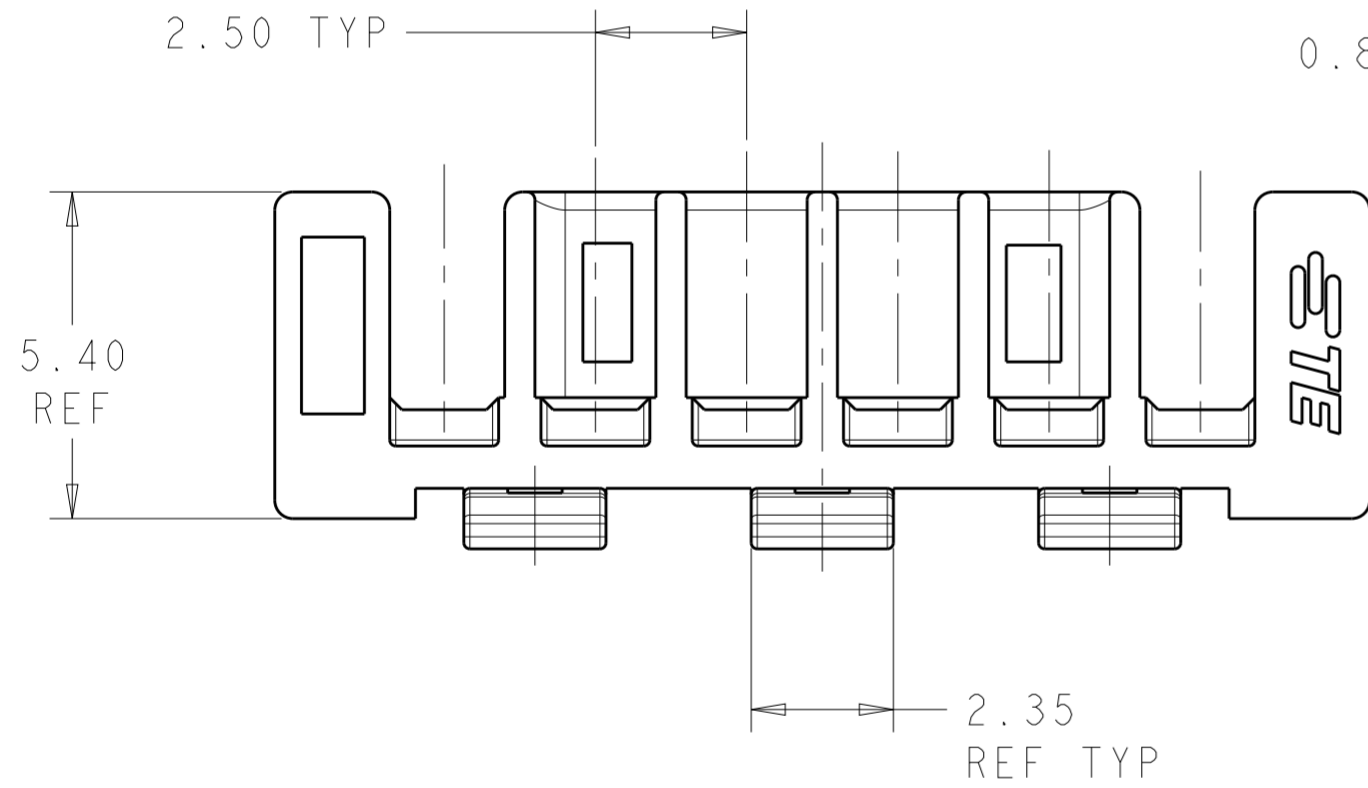
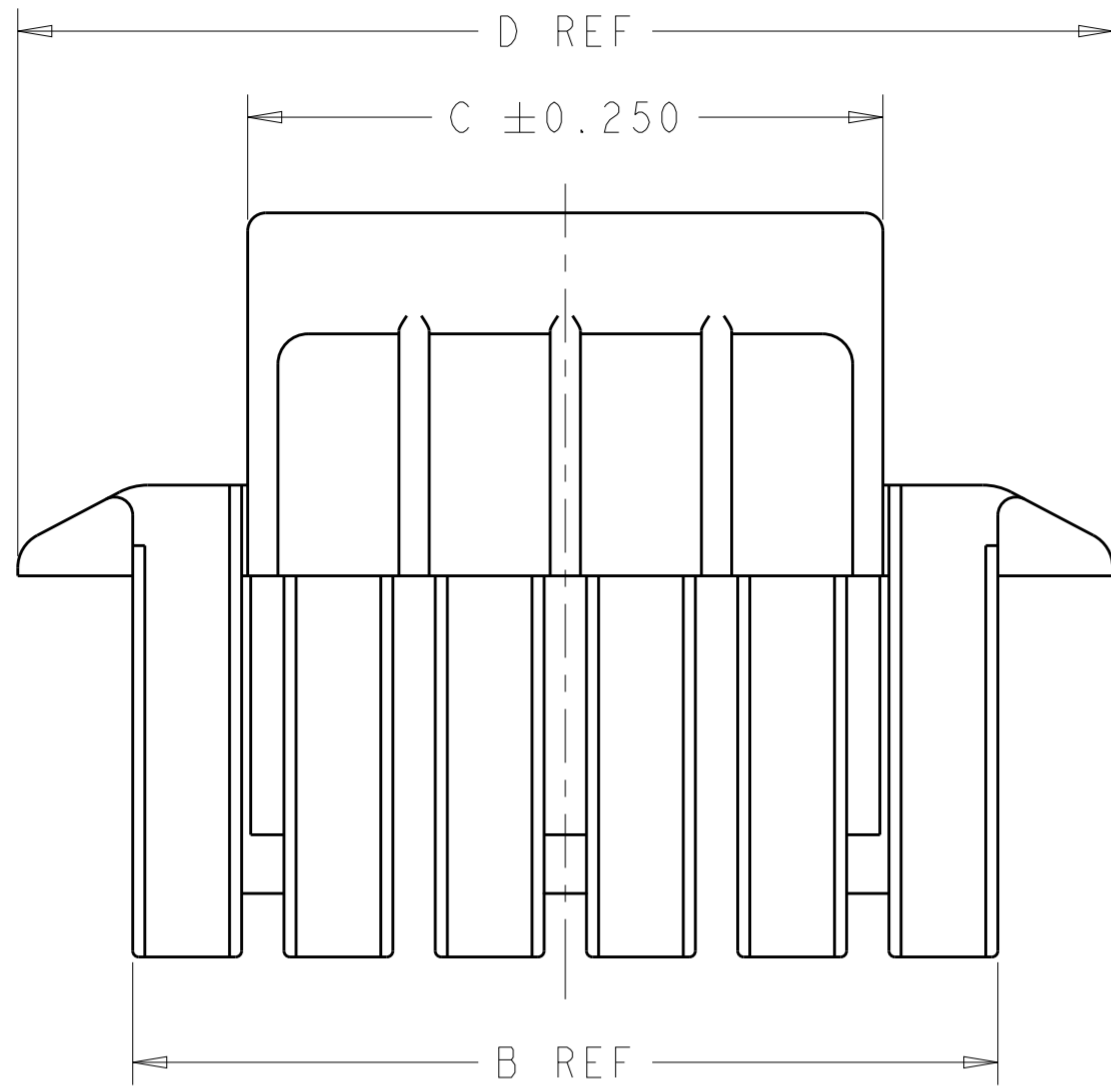


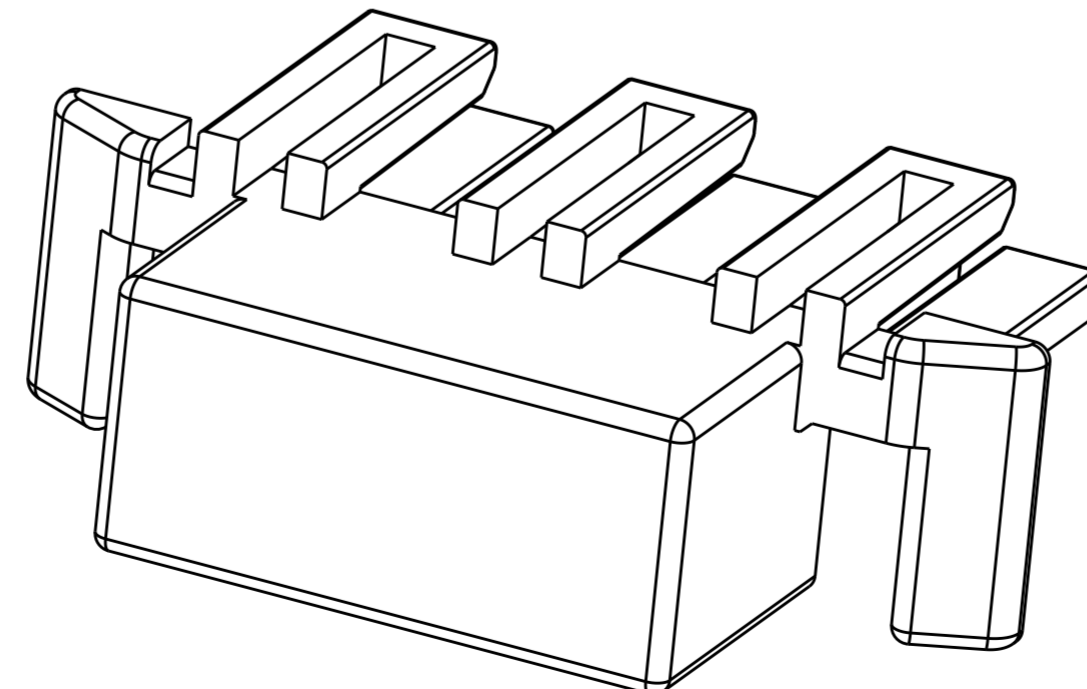
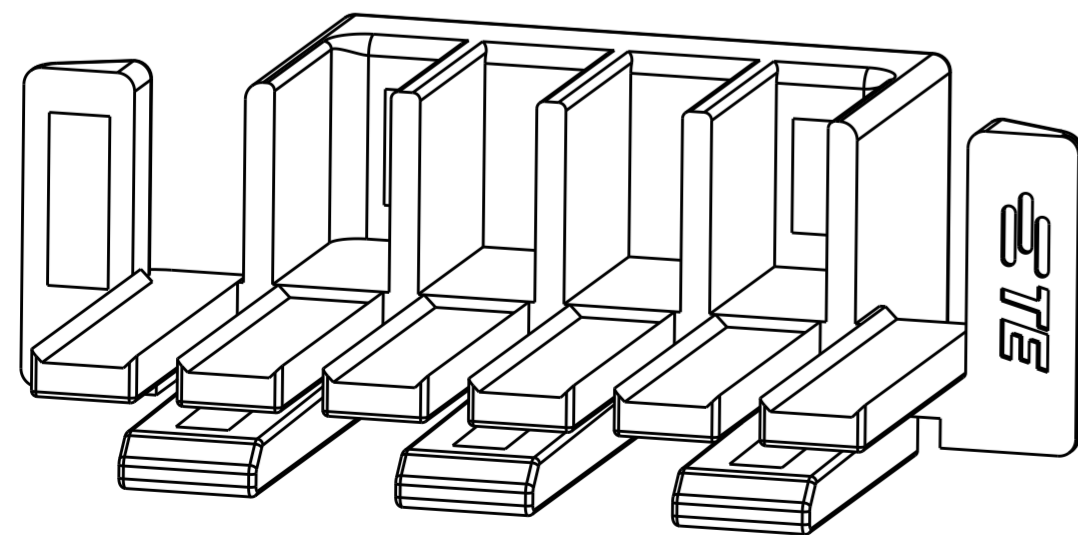
THIS DRAWING IS UNPUBLISHED. RELEASED FOR PUBLICATION  
 © COPYRIGHT copyright.d8Te- ALL RIGHTS RESERVED.

REVISIONS				
P	LTR	DESCRIPTION	DATE	APVD
	A4	RELEASED PER ECR-18-010321	17SEP2018	WH DZ



- 1 MATERIAL; HIGH PERFORMANCE RISIN, UL94-V0, GLASS FILLED, COLOR - BLACK
- 2 MATES WITH HOUSING 1969442-(X)

53.1	10.5	49.3	20	2-1969825-0
50.6	13	46.8	19	1-1969825-9
48.1	10.5	44.3	18	1-1969825-8
45.6	13	41.8	17	1-1969825-7
43.1	10.5	39.3	16	1-1969825-6
40.6	13	36.8	15	1-1969825-5
38.1	10.5	34.3	14	1-1969825-4
35.6	13	31.8	13	1-1969825-3
33.1	10.5	29.3	12	1-1969825-2
30.6	13	26.8	11	1-1969825-1
28.1	10.5	24.3	10	1-1969825-0
25.6	13	21.8	9	1969825-9
23.1	10.5	19.3	8	1969825-8
20.6	13	16.8	7	1969825-7
18.1	10.5	14.3	6	1969825-6
15.6	13	11.8	5	1969825-5
13.1	10.5	9.3	4	1969825-4
10.6	8	6.8	3	1969825-3
8.1	5.5	4.3	2	1969825-2
DIM D	DIM C	DIM B	POSITIONS	PART NO.



THIS DRAWING IS A CONTROLLED DOCUMENT.

DIMENSIONS:	TOLERANCES UNLESS OTHERWISE SPECIFIED:	DWN	20-Jan-16
mm	0 PLC ±	CHK	JR RUTH
	1 PLC ±	APVD	D. FAROLE
	2 PLC ±0.13	APVD	D. FAROLE
	3 PLC ±	PRODUCT SPEC	
	4 PLC ±	APPLICATION SPEC	
	ANGLES ±	WEIGHT	
	FINISH ±	CUSTOMER DRAWING	

TE Connectivity  
**ECONOMY POWER 2.5 TPA RETAINER**

SIZE: A2 CAGE CODE: - DRAWING NO: C-1969825 RESTRICTED TO: -  
 SCALE: N/A SHEET 1 OF 1 REV: A4

## X-ON Electronics

Largest Supplier of Electrical and Electronic Components

*Click to view similar products for [TE Connectivity](#) manufacturer:*

Other Similar products are found below :

[D38999/24FJ4AN](#) [570416-000](#) [CLTEQ-M81CE-SSRELAY-4-20V](#) [4-1195131-0](#) [650069-000](#) [SMD100-2](#) [358838-000](#) [CB-1022B-78](#)  
[RM707012](#) [RP410012](#) [MMS42](#) [1-640426-8](#) [2EDL4CM](#) [DTS20W19-11PD-3028-LC](#) [RM202615](#) [NC6-P104-06](#) [MSPS103B](#) [DTS26F21-](#)  
[41HE-LC](#) [DTS26F21-41AE](#) [DTS26F21-41PE-LC](#) [DTS26F21-11SE-3028-LC](#) [30DCB6](#) [1932144-1](#) [293545-4](#) [LVR125S](#) [MS27466T25F4PB](#)  
[CKB-38-78010](#) [TR04AI-TINELLOCKRING](#) [1206SFF150F/63-2](#) [D38999/20JB35HA](#) [TE1500A2R2J](#) [D38999/20WC8BB](#) [DTS24F19-11SC-](#)  
[3028-LC](#) [D38999/24WG11HA](#) [D38999/24WG11HN](#) [MS27467T21F11H](#) [DJT16E21-11HA](#) [MS27467T21F35J](#) [MS27467T21F11J](#)  
[MS27467T21F16H-LC](#) [MS27467T21F35H](#) [MS27467T21F41H-LC](#) [1206SFH150F/24-2](#) [RP330024](#) [DJT16E21-11PA-LC](#) [DJT16E21-11HA-](#)  
[LC](#) [DJT16E21-11AA](#) [MS27467T21B11JA](#) [DJT16E21-11JA](#) [MS27467T21B11JA-LC](#)