

THIS DRAWING IS UNPUBLISHED.

RELEASED FOR PUBLICATION

20

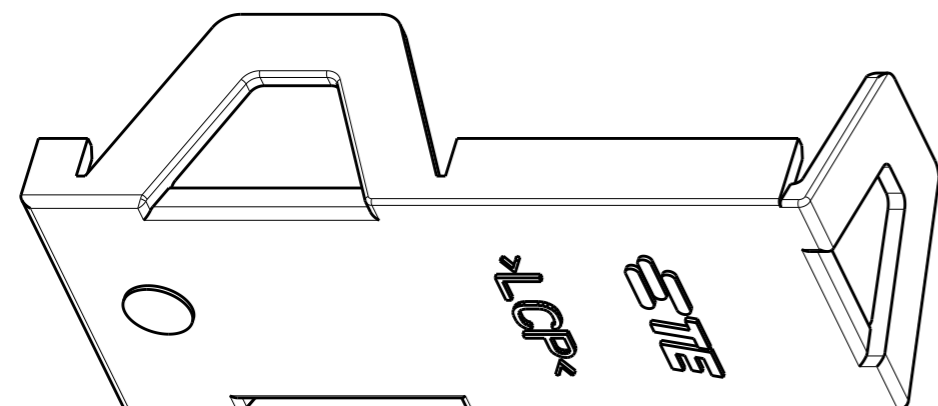
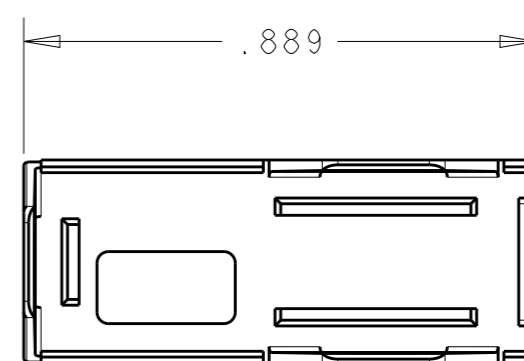
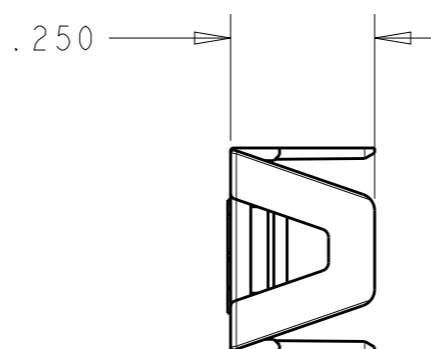
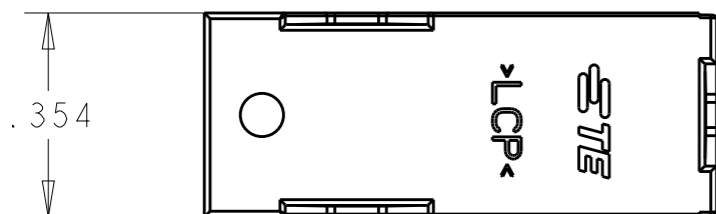
© COPYRIGHT 20 BY -

ALL RIGHTS RESERVED.


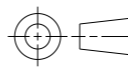
REVISIONS

P	LTR	DESCRIPTION	DATE	DWN	APVD
	A	REVISED PER ECR-17-015197	23OCT2017	BDA	MD

1. BACK COVER SOLUTION FOR TE PN: 1969823-1
2. THIS PROCUST HAS NOT COMPLETED QUALIFICATION TESTING
3. FOR SINGLE USE ONLY. LATCHES WILL FRACTURE WHEN REMOVING COVER FROM HOUSING



LCP	1969826-1
MATERIAL	PART NUMBER

THIS DRAWING IS A CONTROLLED DOCUMENT.		DWN	12/22/16	 TE Connectivity	
DIMENSIONS:		CHK	12/27/16		
in		APVD	12/27/16		
		NAME	MICHAEL DIDONATO		
TOLERANCES UNLESS OTHERWISE SPECIFIED:		PRODUCT SPEC	108-143022	NAME	MK II HIGH TEMP HSG COVER
0 PLC	±-	APPLICATION SPEC	-	SIZE	A3
1 PLC	±-	WEIGHT	-	CAGE CODE	-
2 PLC	±-	CUSTOMER DRAWING	-	DRAWING NO	1969826
3 PLC	±.010	SCALE	3:1	SHEET	1 OF 1
4 PLC	±-	FINISH	-	REV	A
ANGLES	±-				
MATERIAL	LCP				

X-ON Electronics

Largest Supplier of Electrical and Electronic Components

Click to view similar products for [Terminals](#) category:

Click to view products by [TE Connectivity](#) manufacturer:

Other Similar products are found below :

[00-054007-01074-6](#) [00-054007-70206-1](#) [00-054007-70210-8](#) [00-054007-70217-7](#) [00-054007-70226-9](#) [00-054007-70228-3](#) [00-054007-70248-1](#) [00-054007-70256-6](#) [00-054007-70301-3](#) [00-054007-70316-7](#) [0-0320562-0](#) [00-054007-49560-4](#) [00-054007-70209-2](#) [00-054007-70225-2](#) [00-054007-70227-6](#) [00-054007-70231-3](#) [00-054007-70241-2](#) [00-054007-70242-9](#) [00-054007-70244-3](#) [00-054007-70246-7](#) [00-054007-70263-4](#) [00-054007-70288-7](#) [00-054007-70290-0](#) [00-054007-70300-6](#) [00-054007-70304-4](#) [01-2065-1-0216](#) [01-2900-1-04412](#) [00581P0075](#) [600TS-10](#) [60205-1](#) [604200-1](#) [605601-1](#) [60598-1-CUT-TAPE](#) [61314-6-C](#) [61810-3](#) [61-S](#) [61-SN](#) [626-0194](#) [62-NBM-A](#) [62-SN](#) [62-SP](#) [63-S](#) [640179-1](#) [M55155/059I03](#) [M55155/079C01](#) [M55155/099H02](#) [M55155/109H01](#) [M55155/109H02](#) [M55155/12XH05](#) [M55155/16XH02](#)