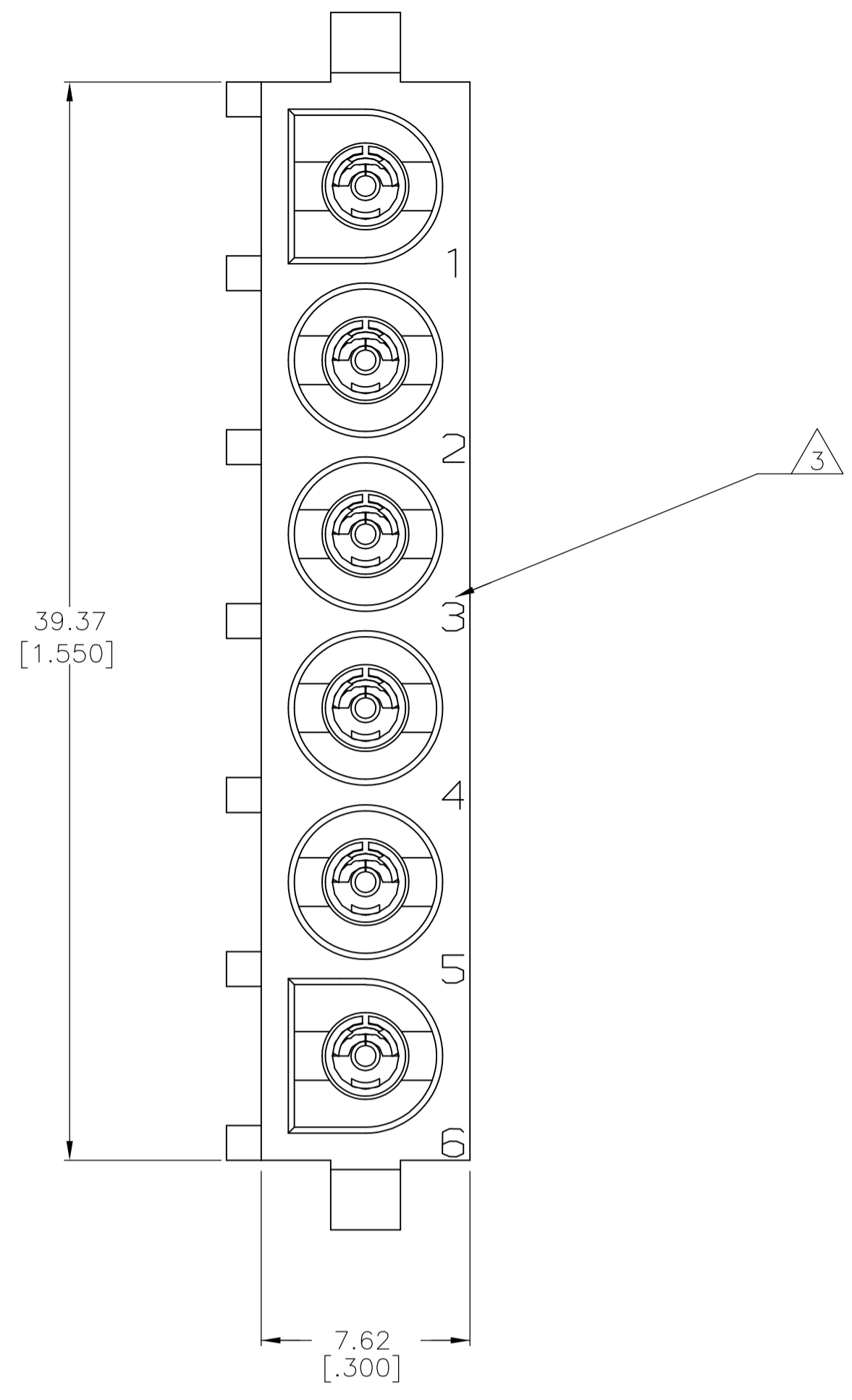
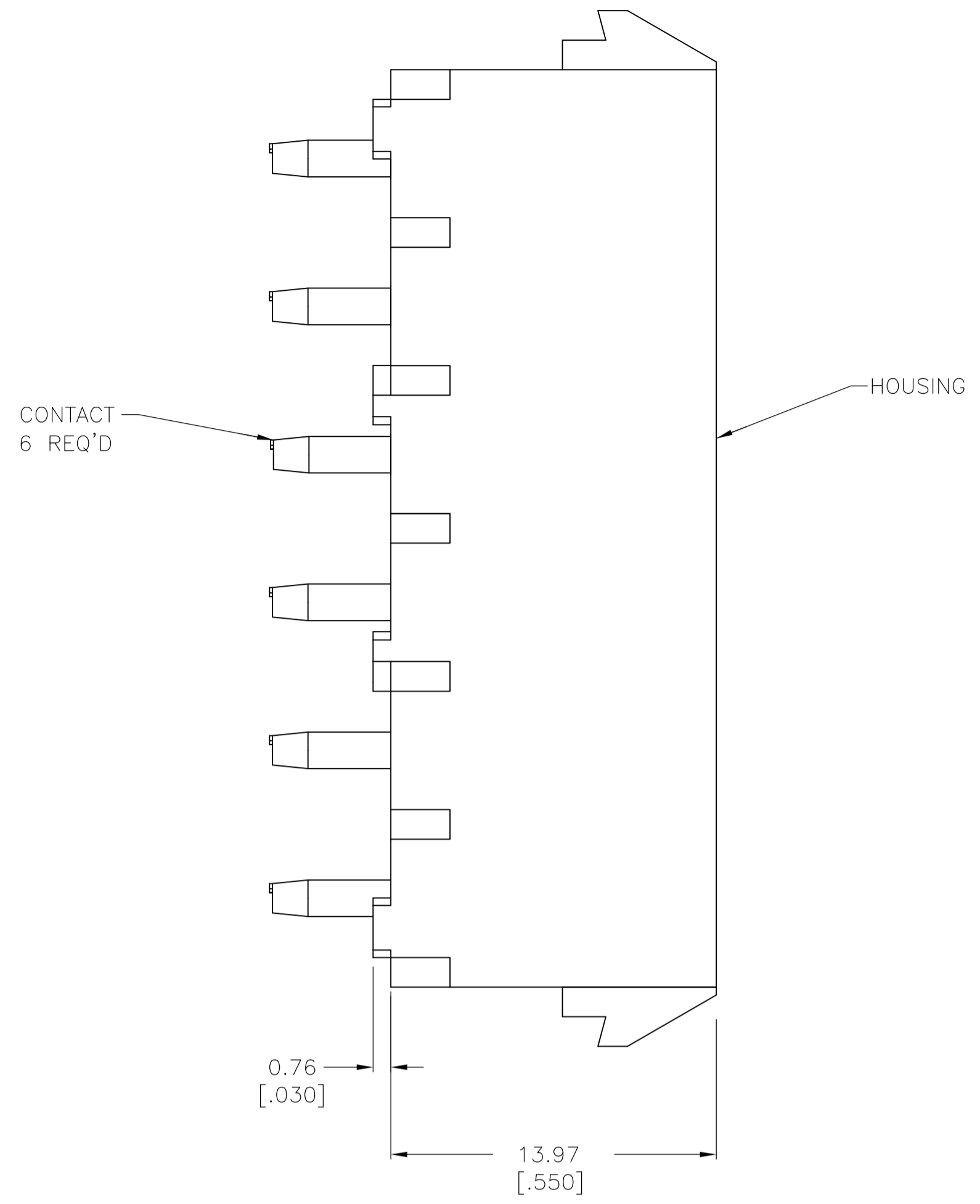
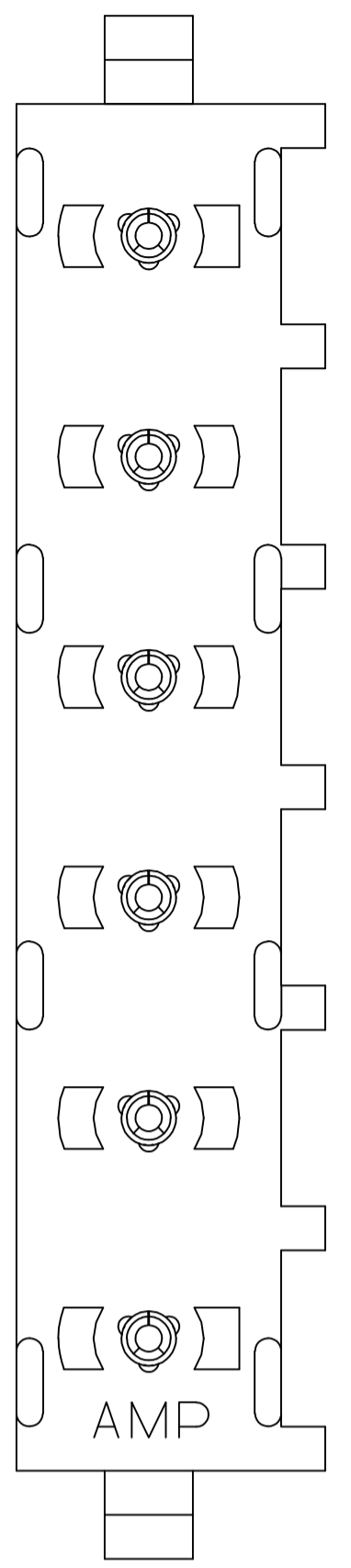
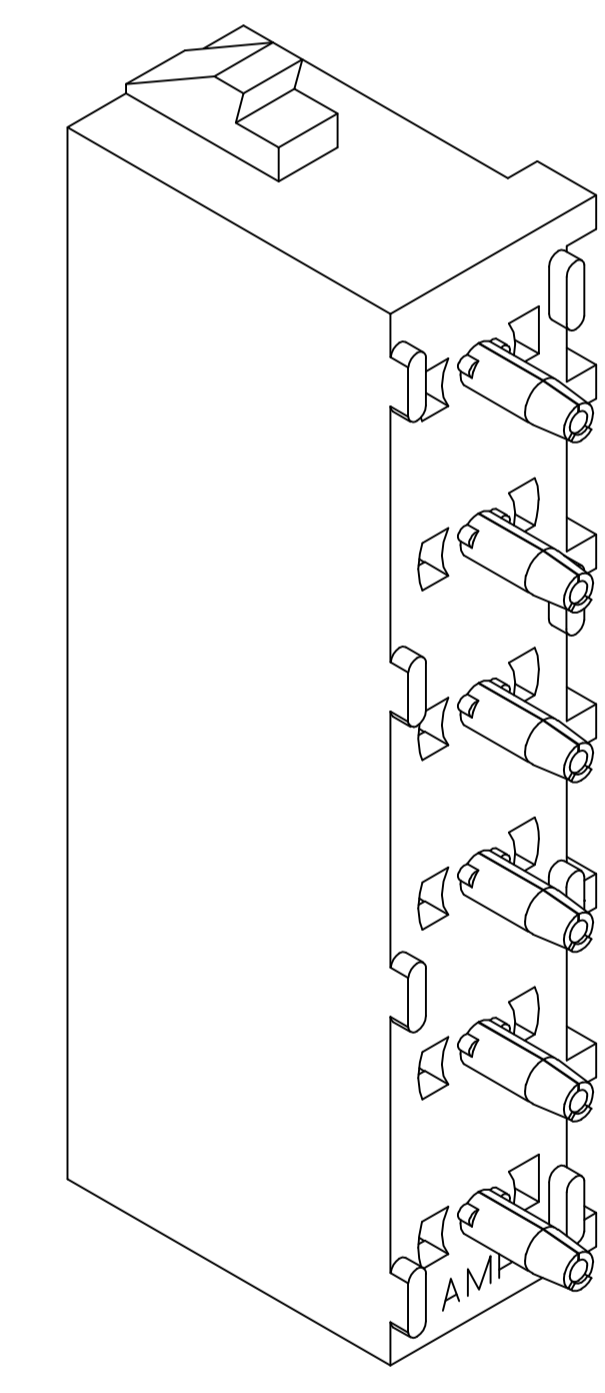
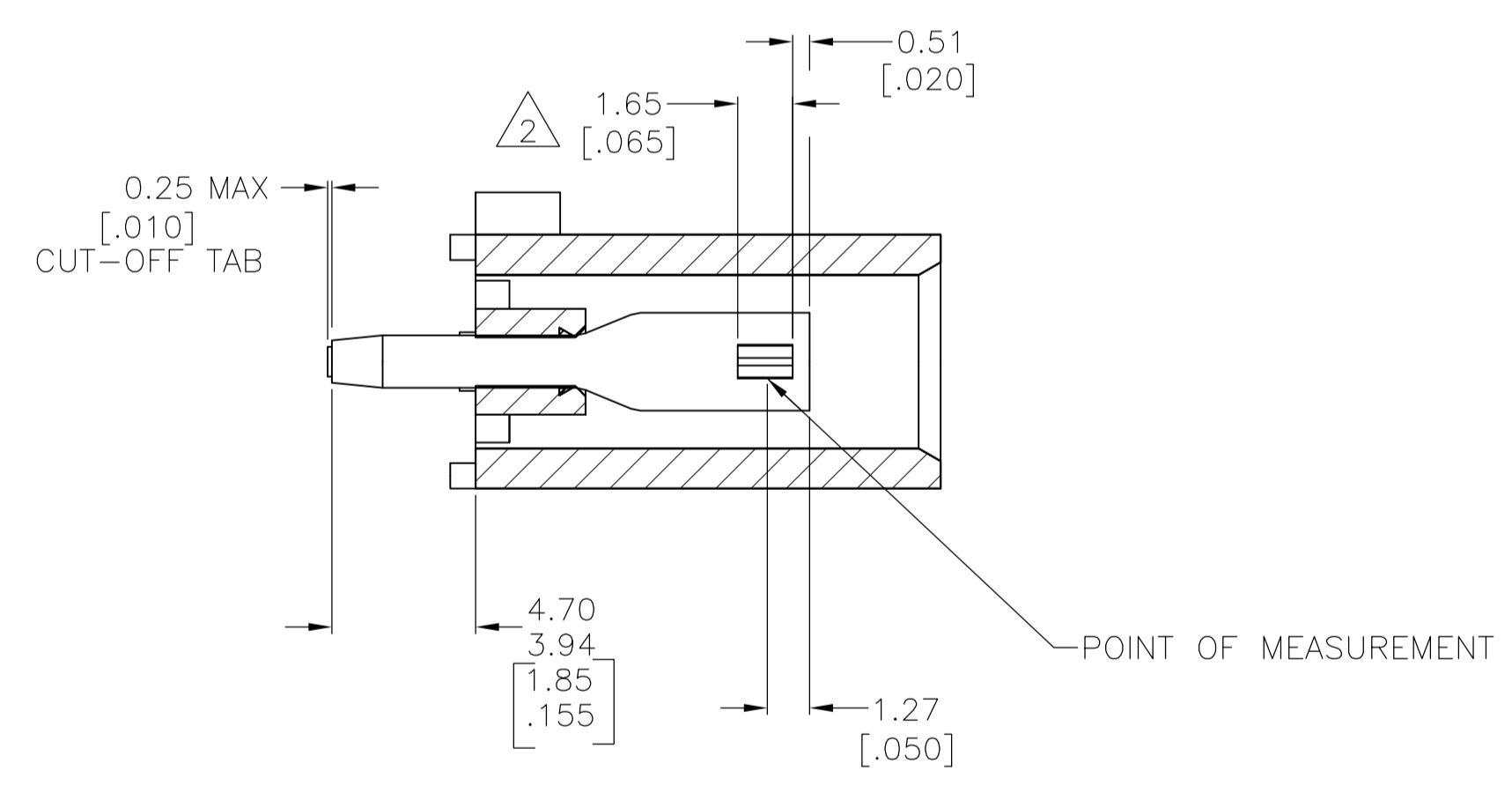


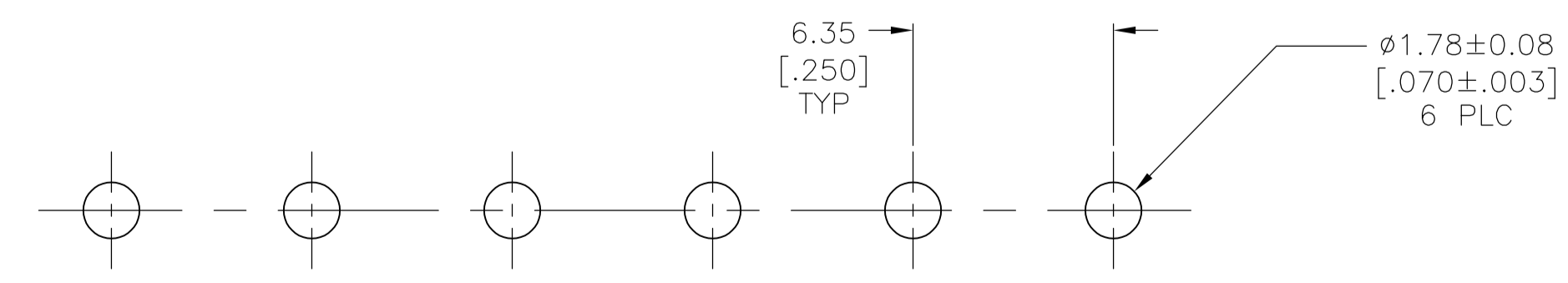
| LOC | | DIST | | REVISIONS | | | |
|-----|----|-------------|---------------|-----------|------|-----------|-------|
| CM | 00 | REV | DATE | BY | APPV | DATE | BY |
| A | | REVISED PER | ECR-16-002640 | | | 10MAR2016 | BW EW |



- 1 PARTS COMPLY TO AMP SOLDERABILITY SPECIFICATION 109-11-3.
- 2 CONTACT IS PLATED WITH 0.000127 [.000050] NICKEL, THEN 0.000076 [.000030] GOLD OVER CONTACT LENGTH INDICATED AND MATTE TIN ON SOLDER TAIL END.
- 3 CIRCUIT IDENTIFICATION CHARACTERS ARE ADJACENT TO THE INDICATED CAVITIES, BUT LOCATION AND ORIENTATION MAY DIFFER FROM PRINT.
- 4 DIMENSIONS IN BRACKETS ARE IN INCHES.
- 5 FLAMMABILITY UL V-0 FOR THICKNESS 0.4, 0.45, 0.8, 1.6, AND 3.0 PER IEC 60695-11-10.
- 6 GLOW WIRE FLAMMABILITY (GWF): 960°C FOR THICKNESS 0.45, 0.8, 1.6, AND 3.0 PER IEC 60695-2-12.
- 7 GLOW WIRE IGNITION (GWIT): 825°C FOR THICKNESS 0.45, 800°C FOR THICKNESS 0.8, 775°C FOR THICKNESS 1.6 AND 3.0 PER IEC 60695-2-13.



3-DIMENSIONAL MODEL NTS



RECOMMENDED MOUNTING HOLE PATTERN FOR 1.57 [.062] THICK P.C. BOARD

| | | |
|-----------------------------|---------------------------|-------------|
| PHOSPHOR BRONZE, GOLD | NYLON, UL V-0 GW, NATURAL | 1969830-2 |
| PHOSPHOR BRONZE, PRE-TIN | NYLON, UL V-0 GW, NATURAL | 1969830-1 |
| CONTACT MATERIAL AND FINISH | HOUSING MATERIAL | PART NUMBER |

| | | | | | |
|--|--|--|--|------------------|--|
| THIS DRAWING IS A CONTROLLED DOCUMENT. | | DIN 22JAN2016 | | EASVESH WARAD | |
| DIMENSIONS: mm [INCHES] | | TOLERANCES UNLESS OTHERWISE SPECIFIED: | | CMK 22JAN2016 | |
| 0 PLC ± - | | 1 PLC ± - | | WICKES, EVAN | |
| 1 PLC ± - | | 2 PLC ± 0.13 [.005] | | APVD 22JAN2016 | |
| 2 PLC ± - | | 3 PLC ± - | | WICKES, EVAN | |
| 3 PLC ± - | | 4 PLC ± - | | NAME | |
| 4 PLC ± - | | ANGLES ± 0°30' | | PRODUCT SPEC | |
| MATERIAL SEE TABLE | | FINISH SEE TABLE | | APPLICATION SPEC | |
| WEIGHT | | SIZE | | CAGE CODE | |
| CUSTOMER DRAWING | | A1 | | DRAWING NO | |
| SCALE 5:1 | | SHEET 1 OF 1 | | REV A | |

X-ON Electronics

Largest Supplier of Electrical and Electronic Components

Click to view similar products for [Pin & Socket Connectors](#) category:

Click to view products by [TE Connectivity](#) manufacturer:

Other Similar products are found below :

[6450822-1](#) [770392-1](#) [794042-1](#) [796885-1](#) [8-794535-1](#) [PLR3455ACS-222](#) [R929991004](#) [R929993003](#) [1403611-1](#) [1-480349-5](#) [152302-5](#)
[153211-2](#) [1586092-1](#) [1586129-1](#) [1586681-4](#) [1586700-1](#) [1586368-1](#) [1586380-1](#) [1586616-1](#) [1586680-5](#) [16-06-0038](#) [164164-5](#) [1-6609930-1](#)
[172296-1](#) [19-09-2035](#) [200503-1](#) [200788-2](#) [2029090-4](#) [2029095-4](#) [925061-7](#) [293734-4](#) [293737-2](#) [1-765362-4](#) [1-794606-3](#) [1871534-1](#)
[200833-4](#) [2008625-2](#) [2029027-2](#) [2029096-4](#) [R929991000](#) [R929991002](#) [R929993000](#) [319-10-101-00-005000](#) [319-10-102-00-001000](#)
[319-10-104-00-001000](#) [319-10-105-00-001000](#) [319-10-108-00-001000](#) [319-10-112-00-006000](#) [39-01-8019](#) [319-10-101-00-001000](#)