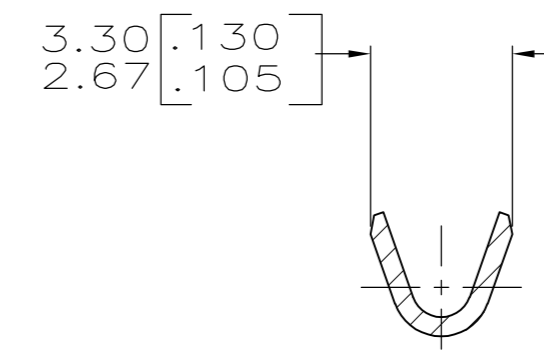
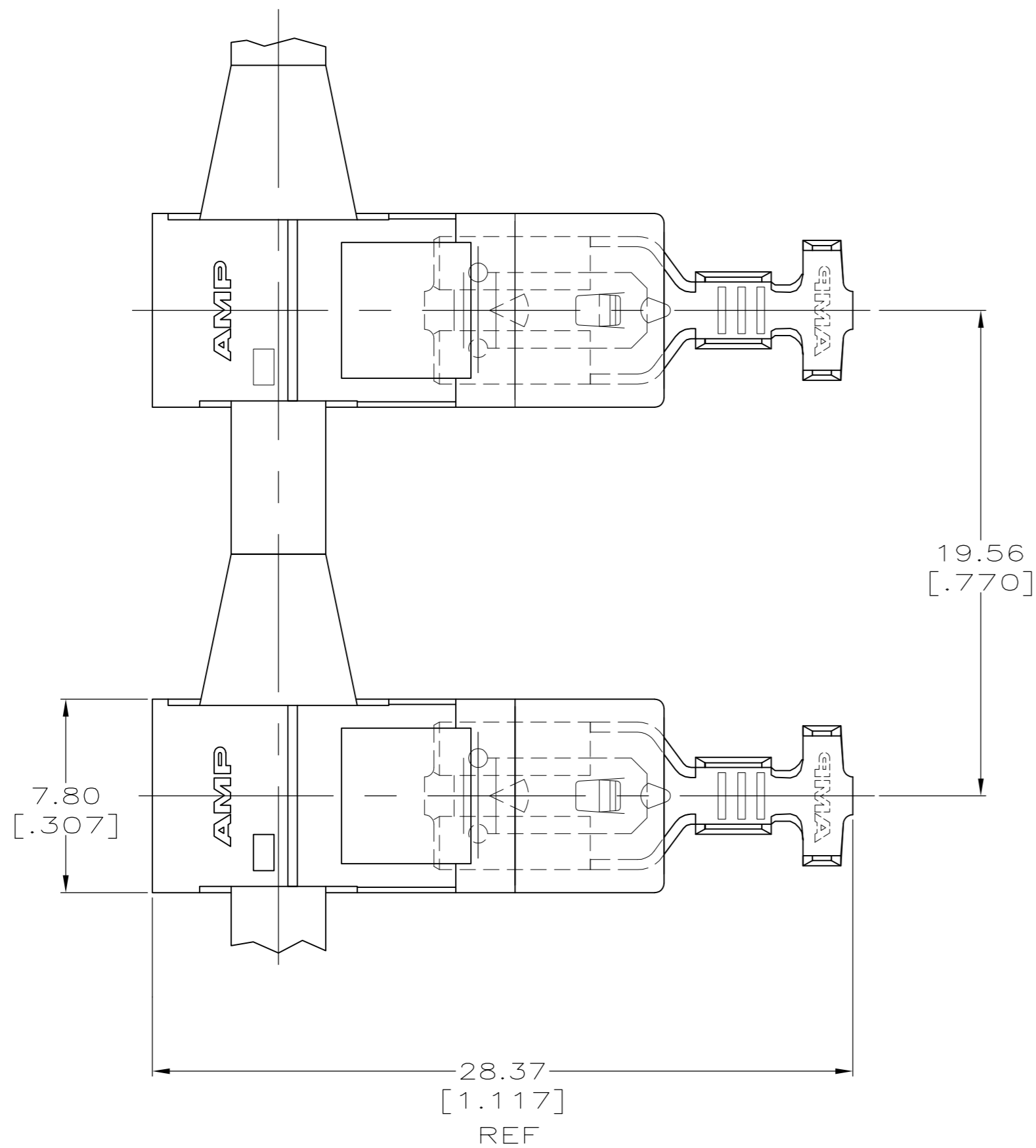


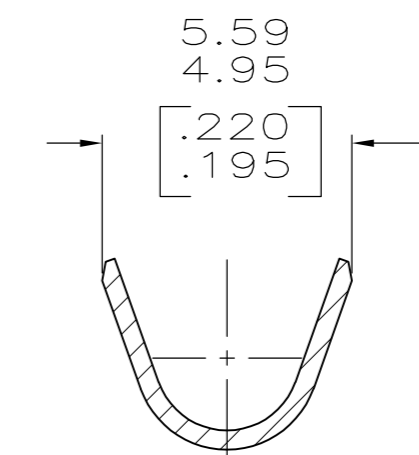
THIS DRAWING IS UNPUBLISHED. RELEASED FOR PUBLICATION  
 © COPYRIGHT - By - ALL RIGHTS RESERVED.

REVISIONS				
P	LTR	DESCRIPTION	DATE	APVD
A		REVISED PER ECR-17-006855	23MAY2017	BW MD

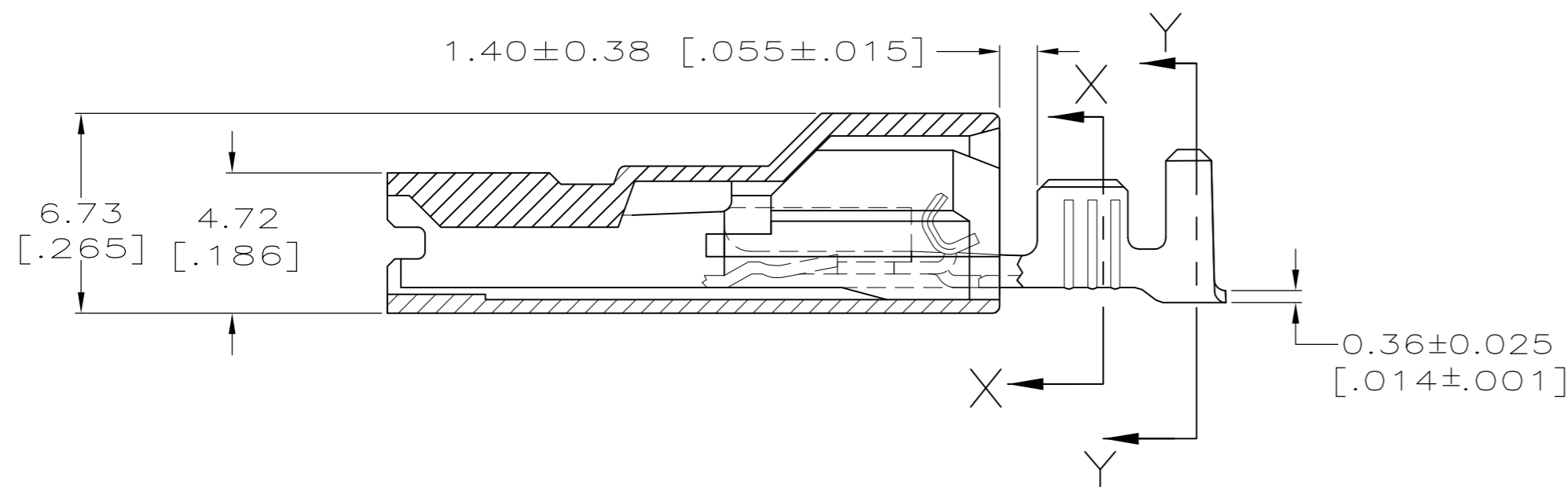
- 1 MATING TAB THK TO BE  $0.51 \pm 0.025$  [ $.020 \pm .001$ ].
- 2 TIN PLATE  $0.001016$  [ $.000040$ ] MIN THK.
- 3 WIRE SIZE IS [#22-#18] AWG.
- 4 INSULATION RANGE IS  $2.29-3.30$  [ $.090-.130$ ] CRIMP WIDTH  $3.94$  [ $.155$ ] F TYPE



SECTION X-X



SECTION Y-Y



6/6 V0 NYLON, NATURAL	1969831-2
4/6 V2 NYLON (150° C) BLACK	1969831-1
MATERIAL	PART NO.

THIS DRAWING IS A CONTROLLED DOCUMENT.		DWN R.SMITH 19SEP2016		
DIMENSIONS: mm [INCHES]		CHK M.DIDONATO 19SEP2016		
TOLERANCES UNLESS OTHERWISE SPECIFIED:		APVD M.DIDONATO 19SEP2016	NAME	
0 PLC ± -	1 PLC ± -	PRODUCT SPEC	ASSEMBLY, RECEPT, POSI-LOCK, ULTRA-POD, 4.75 [.187] SERIES	
2 PLC ± 0.25 [.010]	3 PLC ± -	APPLICATION SPEC	SIZE A2	CAGE CODE 00779
4 PLC ± -	ANGLES ± -	WEIGHT 0.000000	DRAWING NO C=1969831	RESTRICTED TO -
MATERIAL TERMINAL - BRASS HOUSING - SEE TABLE	FINISH TERMINAL - TIN HOUSING - SEE TABLE	CUSTOMER DRAWING	SCALE 5:1	SHEET 1 of 1

## X-ON Electronics

Largest Supplier of Electrical and Electronic Components

*Click to view similar products for [Terminals](#) category:*

*Click to view products by [TE Connectivity](#) manufacturer:*

Other Similar products are found below :

[00-054007-01074-6](#) [00-054007-70206-1](#) [00-054007-70210-8](#) [00-054007-70217-7](#) [00-054007-70226-9](#) [00-054007-70228-3](#) [00-054007-70248-1](#) [00-054007-70256-6](#) [00-054007-70301-3](#) [00-054007-70316-7](#) [00-054007-49560-4](#) [00-054007-70209-2](#) [00-054007-70225-2](#) [00-054007-70227-6](#) [00-054007-70231-3](#) [00-054007-70241-2](#) [00-054007-70242-9](#) [00-054007-70244-3](#) [00-054007-70246-7](#) [00-054007-70263-4](#) [00-054007-70288-7](#) [00-054007-70290-0](#) [00-054007-70300-6](#) [00-054007-70304-4](#) [01-2065-1-0216](#) [01-2900-1-04412](#) [00581P0075](#) [600TS-10](#) [60205-1](#) [604200-1](#) [605601-1](#) [60598-1-CUT-TAPE](#) [61314-6-C](#) [61810-3](#) [61-S](#) [61-SN](#) [626-0194](#) [62-NBM-A](#) [62-SN](#) [62-SP](#) [63-S](#) [640179-1](#) [M55155/059I03](#) [M55155/079C01](#) [M55155/099H02](#) [M55155/109H01](#) [M55155/109H02](#) [M55155/12XH05](#) [M55155/16XH02](#) [M55155/29-5S](#)