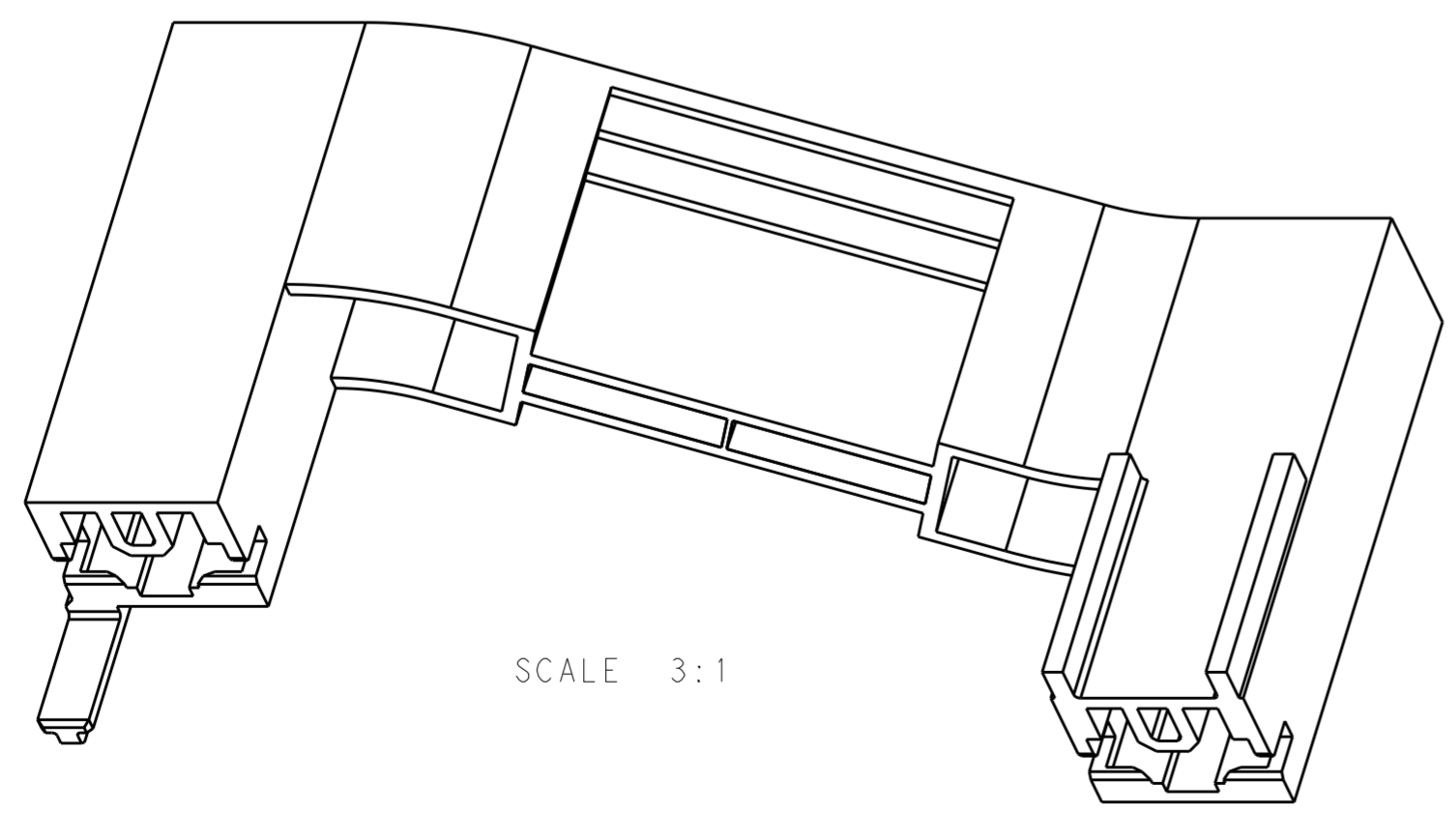
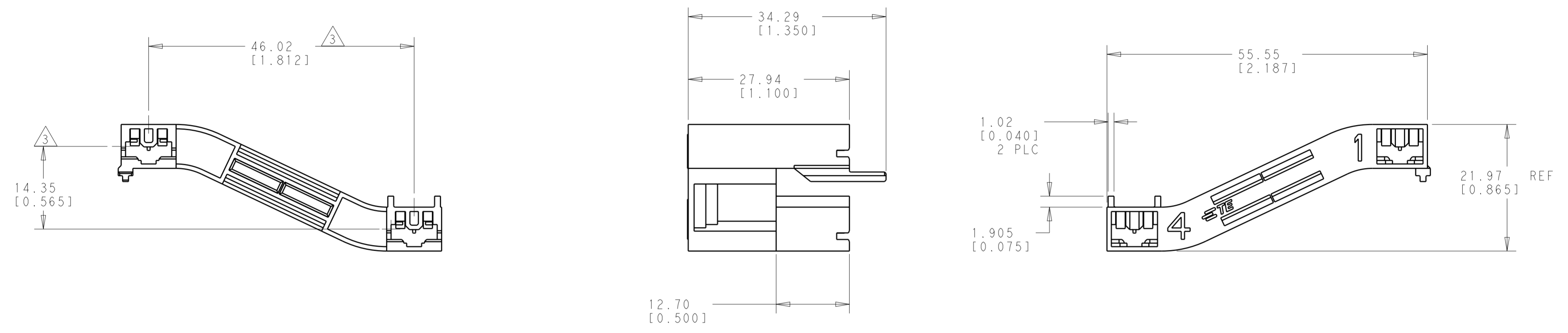


THIS DRAWING IS UNPUBLISHED. RELEASED FOR PUBLICATION  
 © COPYRIGHT copyright.dBte- ALL RIGHTS RESERVED.

REVISIONS				
P	LTR	DESCRIPTION	DATE	APVD
B		REVISED PER ECO-19-012699	16AUG2019	RS LB

- USE WITH 250 SERIES MARK II POSITIVE LOCK TERMINALS 2238155, 2238156 OR 170329
  - NOTE DELETED
- △ 3 SWITCH RECOMMENDED TAB LAYOUT TO BE WITHIN ±0.127 [0.005] OF TE HOUSING CENTERLINES AND CONFORM TO .250 X .032 UL 310 DIMENSIONS



SCALE 3:1

V0, 130C	BLACK	1969864-1
RATINGS	COLOR	PART NO.

THIS DRAWING IS A CONTROLLED DOCUMENT.		DWN 16OCT2018 BASVESH WARAD	TE Connectivity	
DIMENSIONS: mm [INCHES]		CHK 17FEB2017 DIDONATO, MICHAEL		
TOLERANCES UNLESS OTHERWISE SPECIFIED:		APVD 17FEB2017 DIDONATO, MICHAEL	NAME 2 POS POSITIVE LOCK .250 MARK II	
0 PLC ±-	1 PLC ±-	PRODUCT SPEC -	SIZE A200779	CAGE CODE C-1969864
2 PLC ±0.38 [0.015]	3 PLC ±0.127 [0.005]	APPLICATION SPEC -	SCALE 2:1	SHEET 1 OF 1
4 PLC ±-	ANGLES ±5°	WEIGHT -	RESTRICTED TO -	
MATERIAL NYLON	FINISH -	CUSTOMER DRAWING	REV B	

## X-ON Electronics

Largest Supplier of Electrical and Electronic Components

*Click to view similar products for [Terminals](#) category:*

*Click to view products by [TE Connectivity](#) manufacturer:*

Other Similar products are found below :

[00-054007-01074-6](#) [00-054007-70206-1](#) [00-054007-70210-8](#) [00-054007-70217-7](#) [00-054007-70226-9](#) [00-054007-70228-3](#) [00-054007-70248-1](#) [00-054007-70256-6](#) [00-054007-70301-3](#) [00-054007-70316-7](#) [0-0320562-0](#) [00-054007-49560-4](#) [00-054007-70209-2](#) [00-054007-70225-2](#) [00-054007-70227-6](#) [00-054007-70231-3](#) [00-054007-70241-2](#) [00-054007-70242-9](#) [00-054007-70244-3](#) [00-054007-70246-7](#) [00-054007-70263-4](#) [00-054007-70288-7](#) [00-054007-70290-0](#) [00-054007-70300-6](#) [00-054007-70304-4](#) [01-2065-1-0216](#) [01-2900-1-04412](#) [00581P0075](#) [600TS-10](#) [60205-1](#) [604200-1](#) [605601-1](#) [60598-1-CUT-TAPE](#) [61314-6-C](#) [61810-3](#) [61-S](#) [61-SN](#) [626-0194](#) [62-NBM-A](#) [62-SN](#) [62-SP](#) [63-S](#) [640179-1](#) [M55155/059I03](#) [M55155/079C01](#) [M55155/099H02](#) [M55155/109H01](#) [M55155/109H02](#) [M55155/12XH05](#) [M55155/16XH02](#)