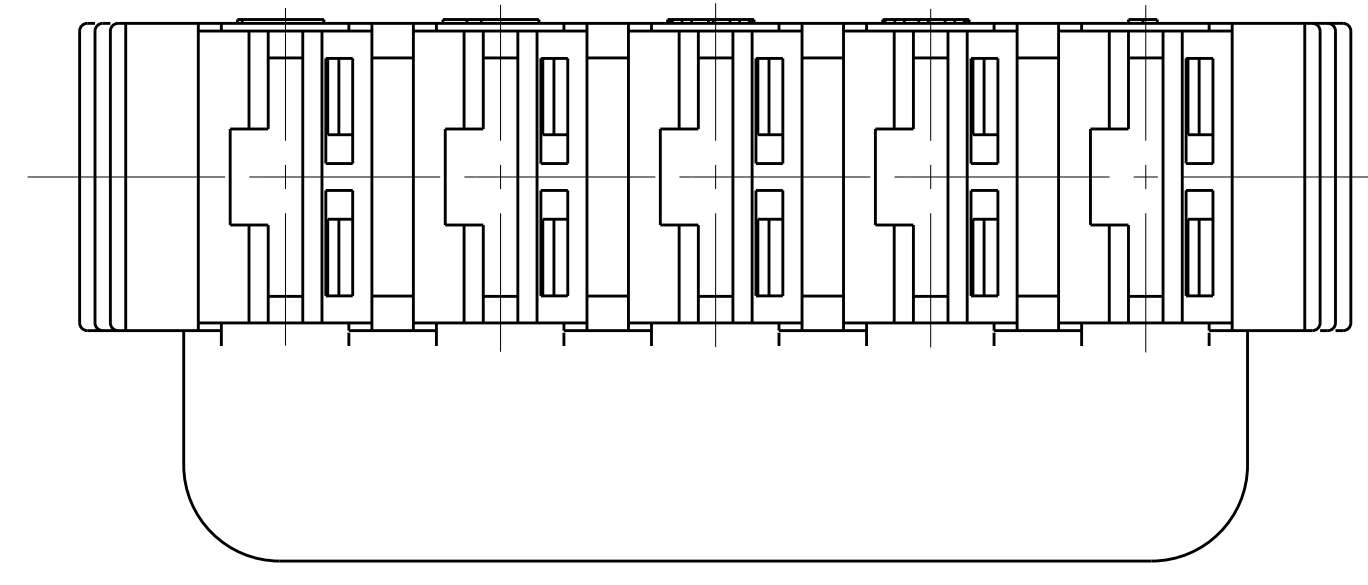
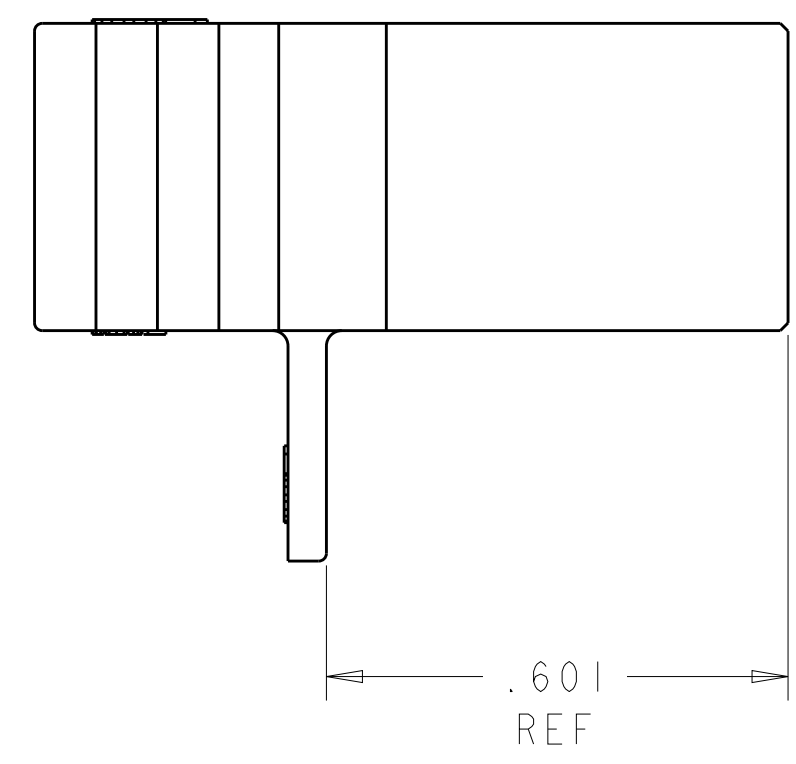
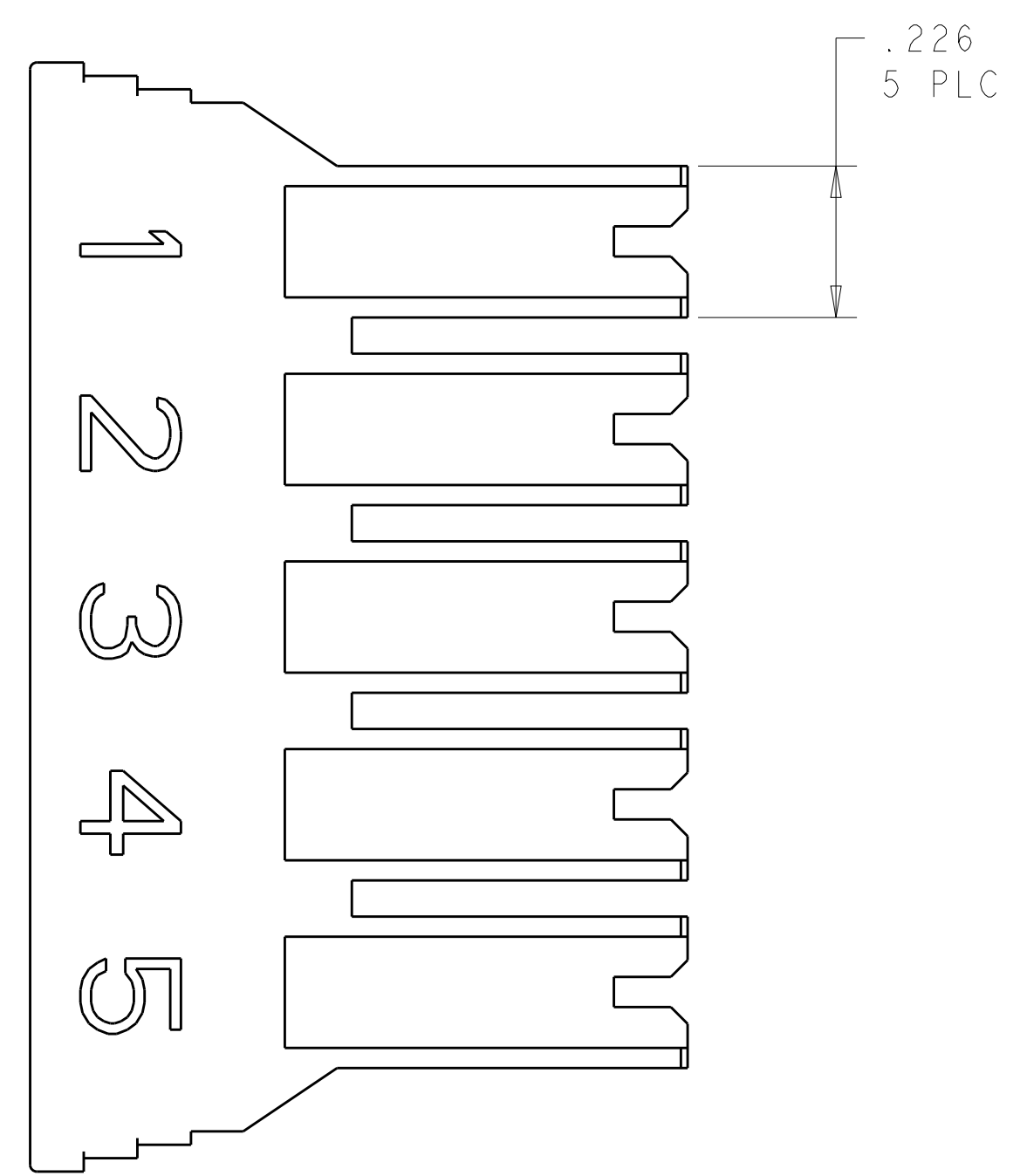
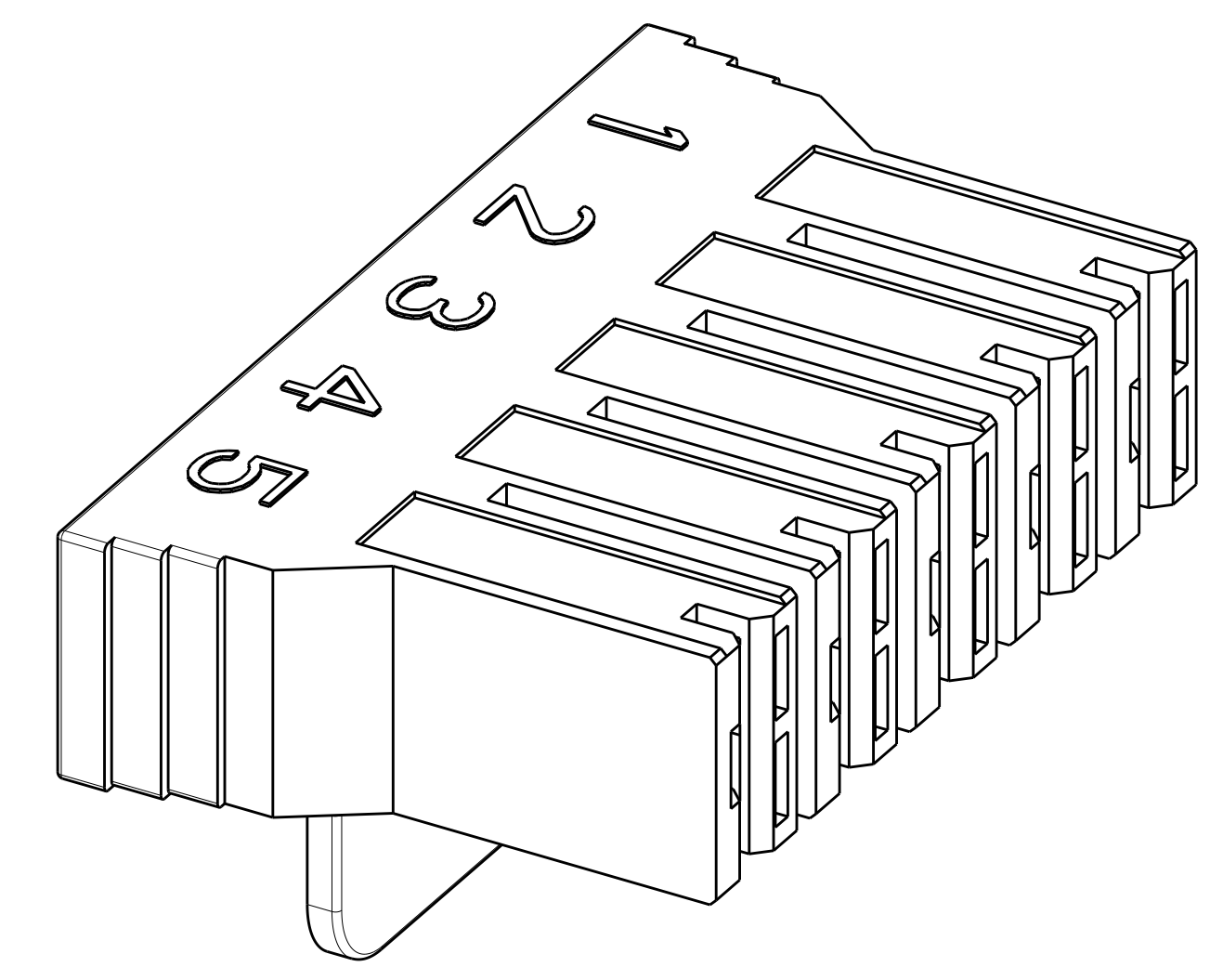


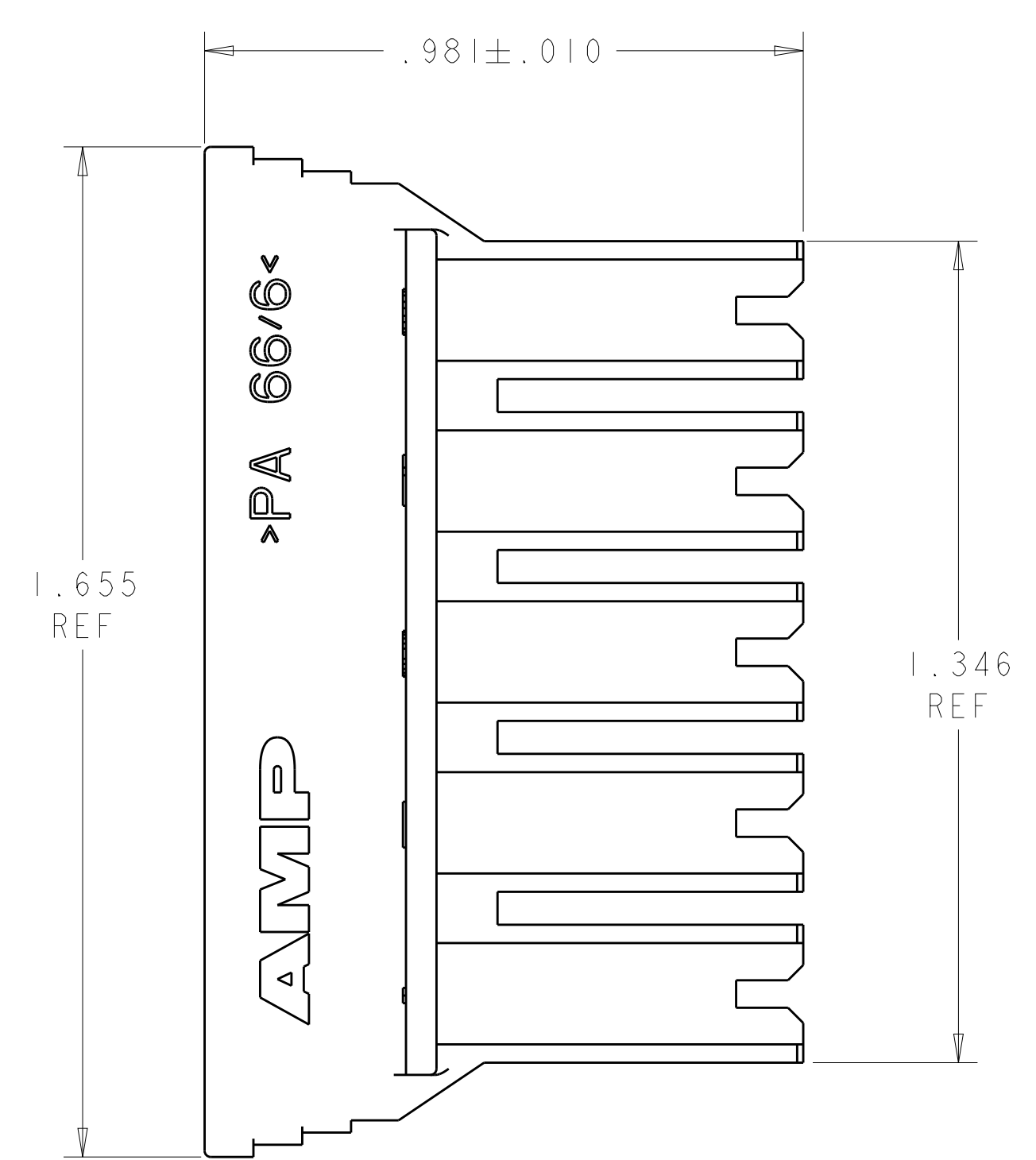
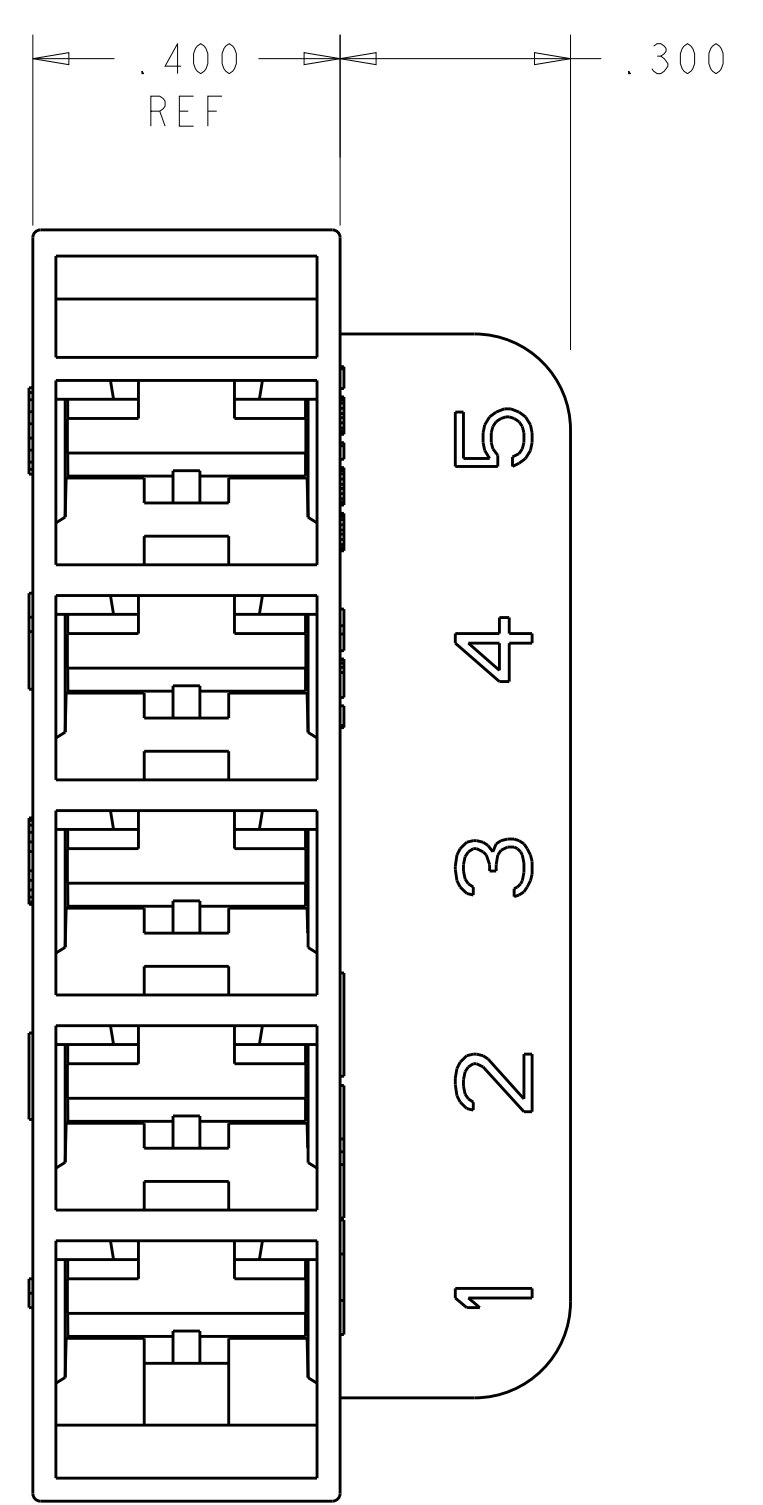
REVISIONS				
P.	LTN	DESCRIPTION	DATE	APPROV
A		RELEASED PER ECO-19-011170	22JUL2019	BKW LB



- 1 ACCEPTS:
.250 X.032 STANDARD FASTON RECEPTACLE PN 2238196-3 OR 2238173-3
- 2 THIS PRODUCT HAS NOT COMPLETED QUALIFICATION TESTING



3D VIEW
SCALE 4:1



BLACK	NYLON 66/6, V0	1969897-1
COLOR	MATERIAL	PART NUMBER

THIS DRAWING IS A CONTROLLED DOCUMENT.		DWN: BASAVARAJA, D A 15FEB2018		TE Connectivity	
DIMENSIONS: INCHES		CHK: BREKOSKY, LAWRENCE 15FEB2018		NAME: HOUSING RECEPTACLE, STANDARD FASTON 5 POSITION, .250 SERIES	
TOLERANCES UNLESS OTHERWISE SPECIFIED:		APVD: BREKOSKY, LAWRENCE 15FEB2018		SIZE: CAGE CODE: DRAWING NO: RESTRICTED TO	
0 PLC ±.005		PRODUCT SPEC: -		A100779C=1969897	
1 PLC ±.005		APPLICATION SPEC: -		SCALE: 4:1 SHEET 1 OF 1 REV A	
2 PLC ±.005		WEIGHT: -			
3 PLC ±.010		CUSTOMER DRAWING			
4 PLC ±.010					
ANGLES ±.2°					
FINISH: -					
MATERIAL: -					
SEE TABLE					

X-ON Electronics

Largest Supplier of Electrical and Electronic Components

Click to view similar products for [Headers & Wire Housings](#) category:

Click to view products by [TE Connectivity](#) manufacturer:

Other Similar products are found below :

[892-18-020-10-001101](#) [58102-G61-06LF](#) [582553-1](#) [0009485154](#) [009176003701906](#) [0050291907](#) [LY20-4P-DT1-P1E-BR](#) [02.125.8002.8](#)
[609-3404](#) [61062-3](#) [61082-181009](#) [622-3653LF](#) [63453-116](#) [636-1030](#) [636-1427](#) [636-3427](#) [636-4007](#) [641938-9](#) [641991-4](#) [644827-2](#) [65817-010LF](#) [65817-015LF](#) [65863-015LF](#) [66207-023LF](#) [67095-007LF](#) [67601157](#) [68645-018](#) [68648-049](#) [70.362.1628.0](#) [70-4210](#) [70-4226B](#) [70-4853B](#) [707-5020](#) [707-5028](#) [71.350.2428.0](#) [71918-208LF](#) [71961-016LF](#) [733-134](#) [733-162](#) [754199-000](#) [760-3052](#) [787-8014-00](#) [79531-3000](#)
[FCN-360C032-B](#) [FCN-367T-T012/H](#) [FCN-723D010/2](#) [80.063.4001.1](#) [800-90-001-10-001000](#) [800-90-010-10-002000](#) [801-43-002-10-013000](#)