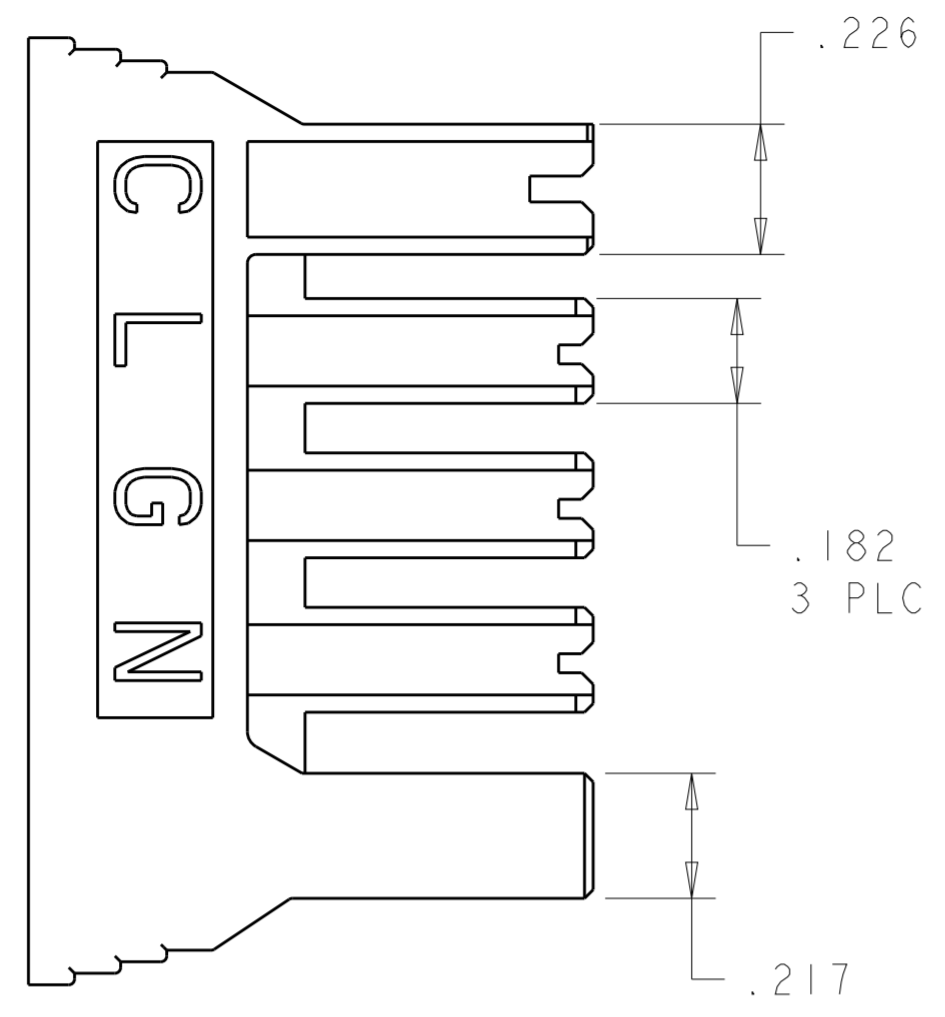
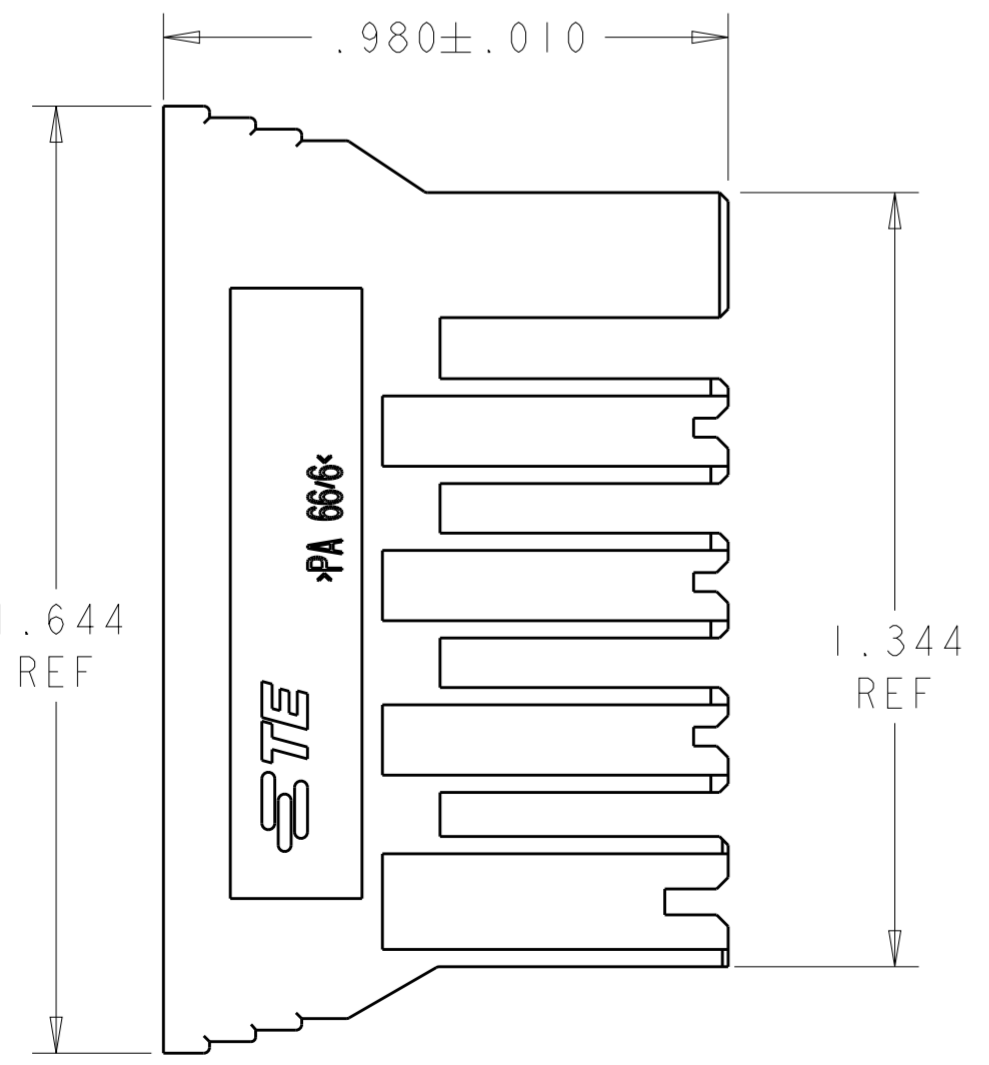
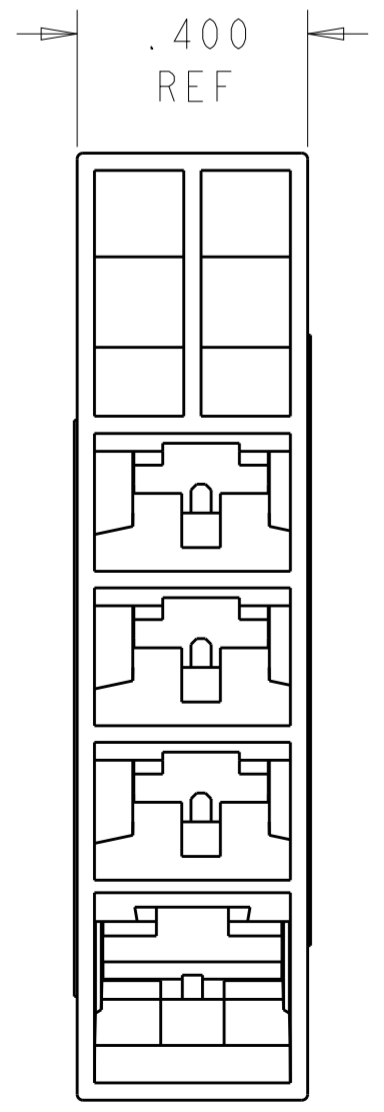
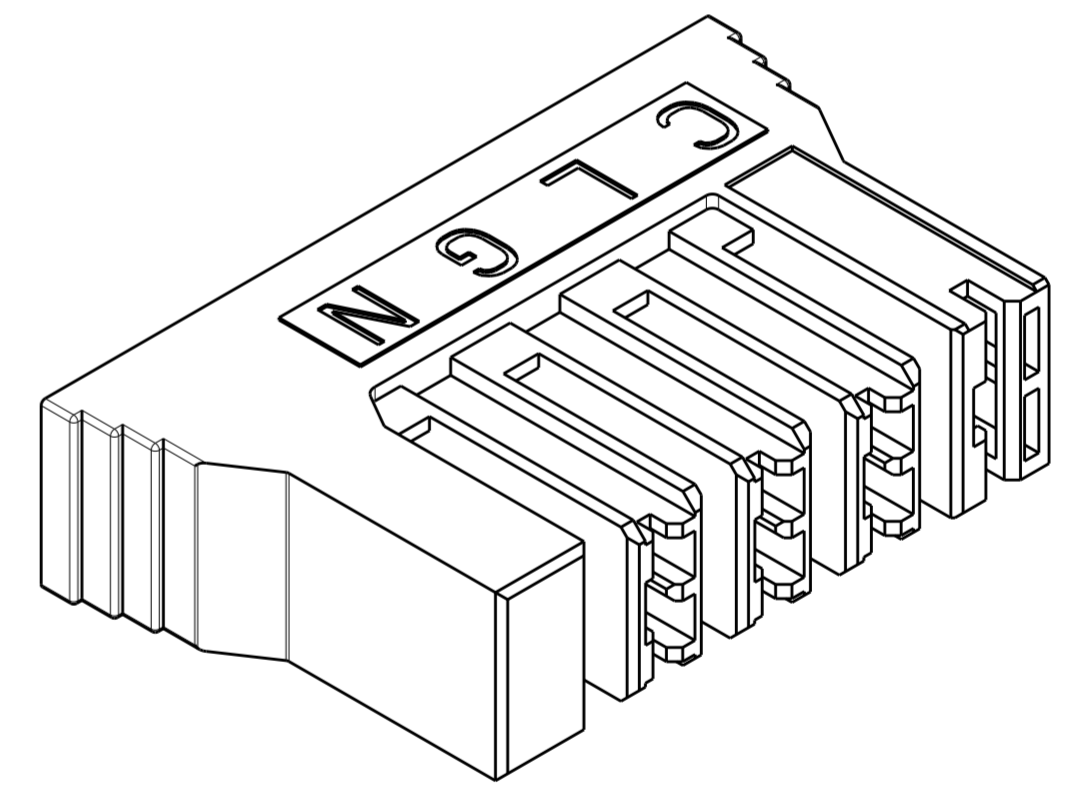
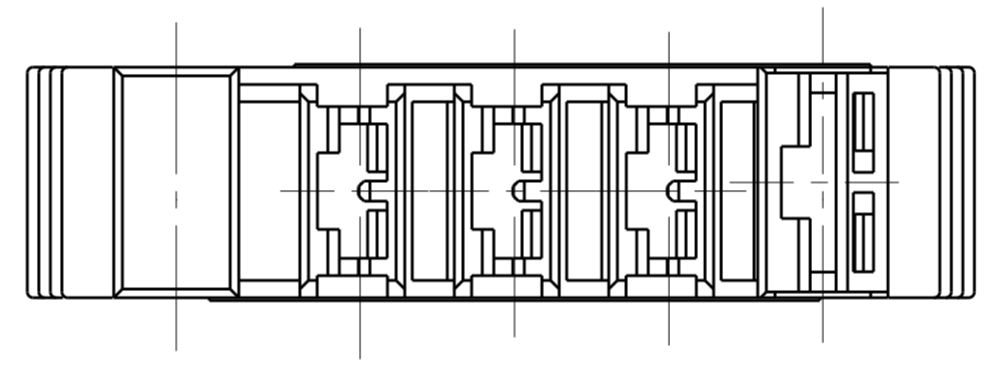
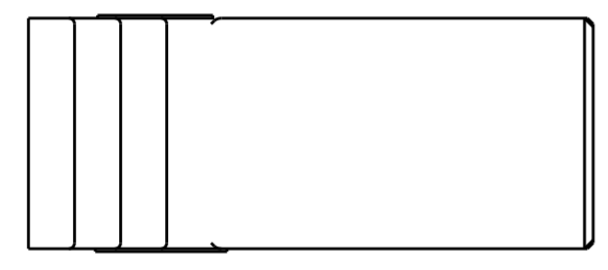


THIS DRAWING IS UNPUBLISHED. RELEASED FOR PUBLICATION 20
 © COPYRIGHT 20 BY - ALL RIGHTS RESERVED.

REVISIONS					
P	LTR	DESCRIPTION	DATE	DWN	APVD
B		UPDATED PER ECO-19-012645	14AUG2019	RS	LB



- CIRCUIT "C" ACCEPTS:
 .250 X .032 STANDARD FASTON RECEPTACLE PN 2238196-3 OR 2238173-3
- CIRCUITS L,G,& N ACCEPT:
 .187 X .020 STANDARD FASTON RECEPTACLE PN 2238207-3
- THIS PRODUCT HAS NOT COMPLETED QUALIFICATION TESTING.



BLACK	NYLON 66/6, V0	1969898-1
COLOR	MATERIAL	PART NUMBER

THIS DRAWING IS A CONTROLLED DOCUMENT.

DIMENSIONS: INCHES	TOLERANCES UNLESS OTHERWISE SPECIFIED: 0 PLC ± 1 PLC ± 2 PLC ± 3 PLC ±.010 4 PLC ± ANGLES ±2° FINISH -	DWN 15FEB2018 BASAVARAJA, D. A.	TE Connectivity NAME HOUSING, RECEPTACLE STANDARD FASTON 4 POSITION
		CHK 15FEB2018 BREKOSKY, LAWRENCE	
MATERIAL SEE TABLE		APVD 15FEB2018 BREKOSKY, LAWRENCE	PRODUCT SPEC -
			APPLICATION SPEC -
		WEIGHT -	RESTRICTED TO
		CUSTOMER DRAWING	SCALE 3:1 SHEET 1 OF 1 REV B

X-ON Electronics

Largest Supplier of Electrical and Electronic Components

Click to view similar products for [Headers & Wire Housings](#) category:

Click to view products by [TE Connectivity](#) manufacturer:

Other Similar products are found below :

[892-18-020-10-001101](#) [58102-G61-06LF](#) [582553-1](#) [0009485154](#) [009176003701906](#) [0050291907](#) [LY20-4P-DT1-P1E-BR](#) [02.125.8002.8](#)
[609-3404](#) [61062-3](#) [61082-181009](#) [622-3653LF](#) [63453-116](#) [636-1030](#) [636-1427](#) [636-3427](#) [636-4007](#) [641938-9](#) [641991-4](#) [644827-2](#) [65817-010LF](#) [65817-015LF](#) [65863-015LF](#) [66207-023LF](#) [67095-007LF](#) [67601157](#) [68645-018](#) [68648-049](#) [70.362.1628.0](#) [70-4210](#) [70-4226B](#) [70-4853B](#) [707-5020](#) [707-5028](#) [71.350.2428.0](#) [71918-208LF](#) [71961-016LF](#) [733-134](#) [733-162](#) [754199-000](#) [760-3052](#) [787-8014-00](#) [79531-3000](#)
[FCN-360C032-B](#) [FCN-367T-T012/H](#) [FCN-723D010/2](#) [80.063.4001.1](#) [800-90-001-10-001000](#) [800-90-010-10-002000](#) [801-43-002-10-013000](#)