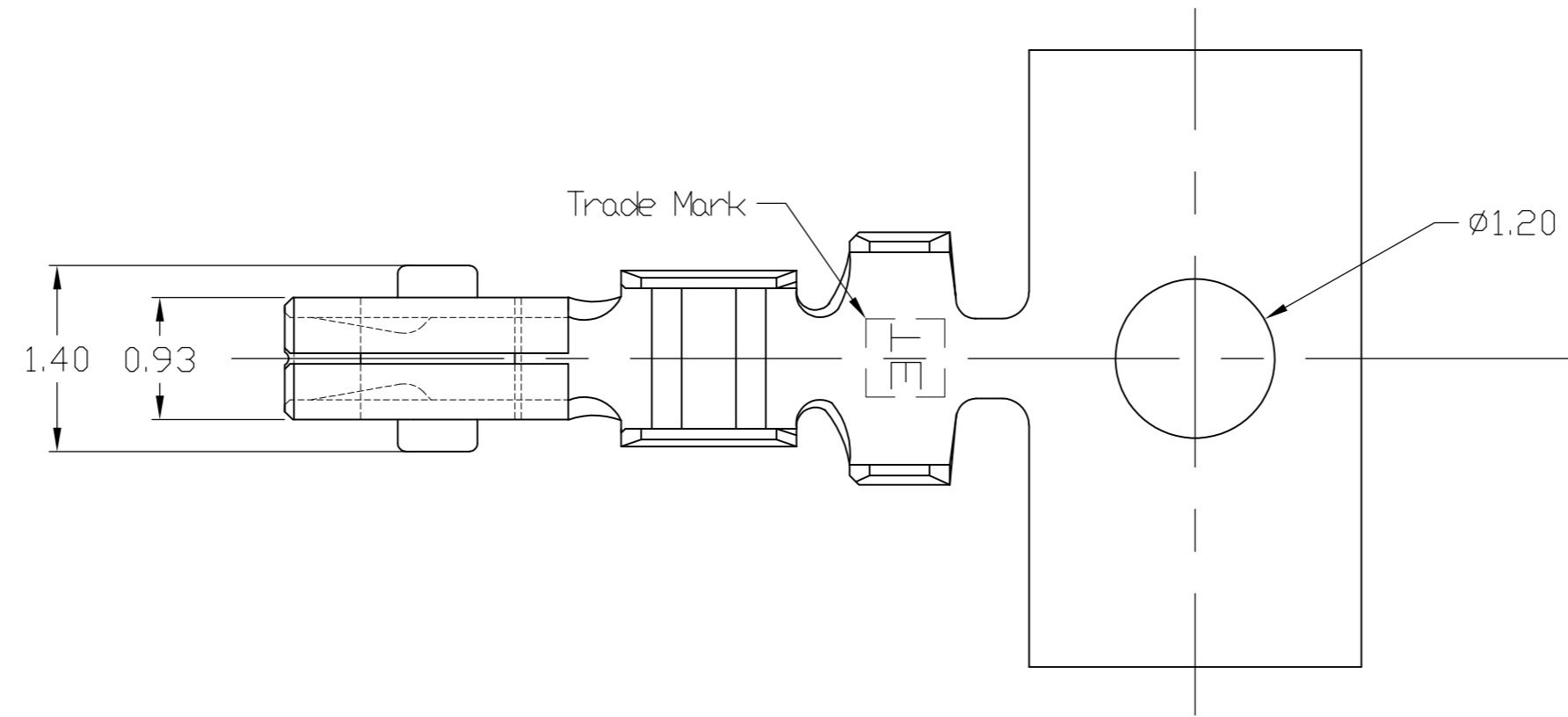


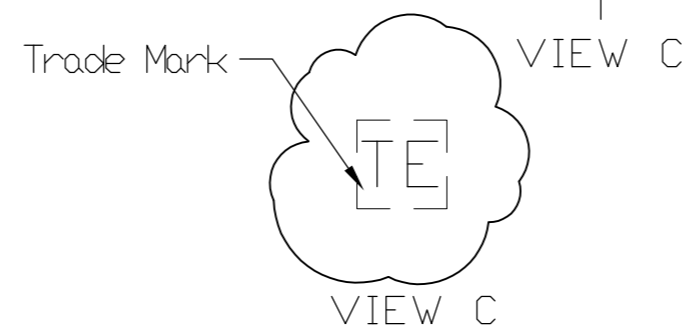
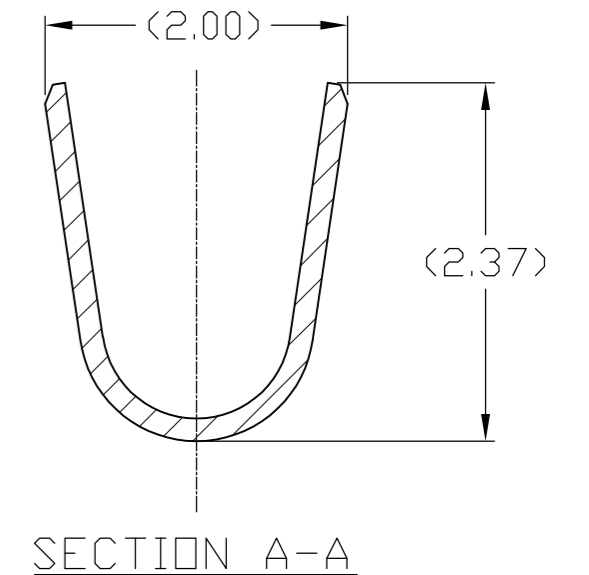
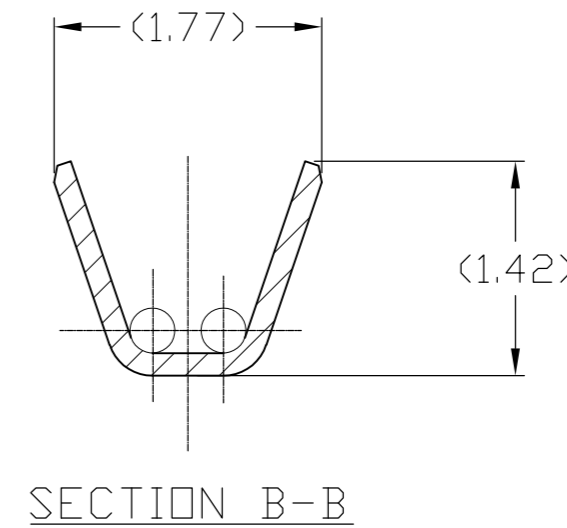
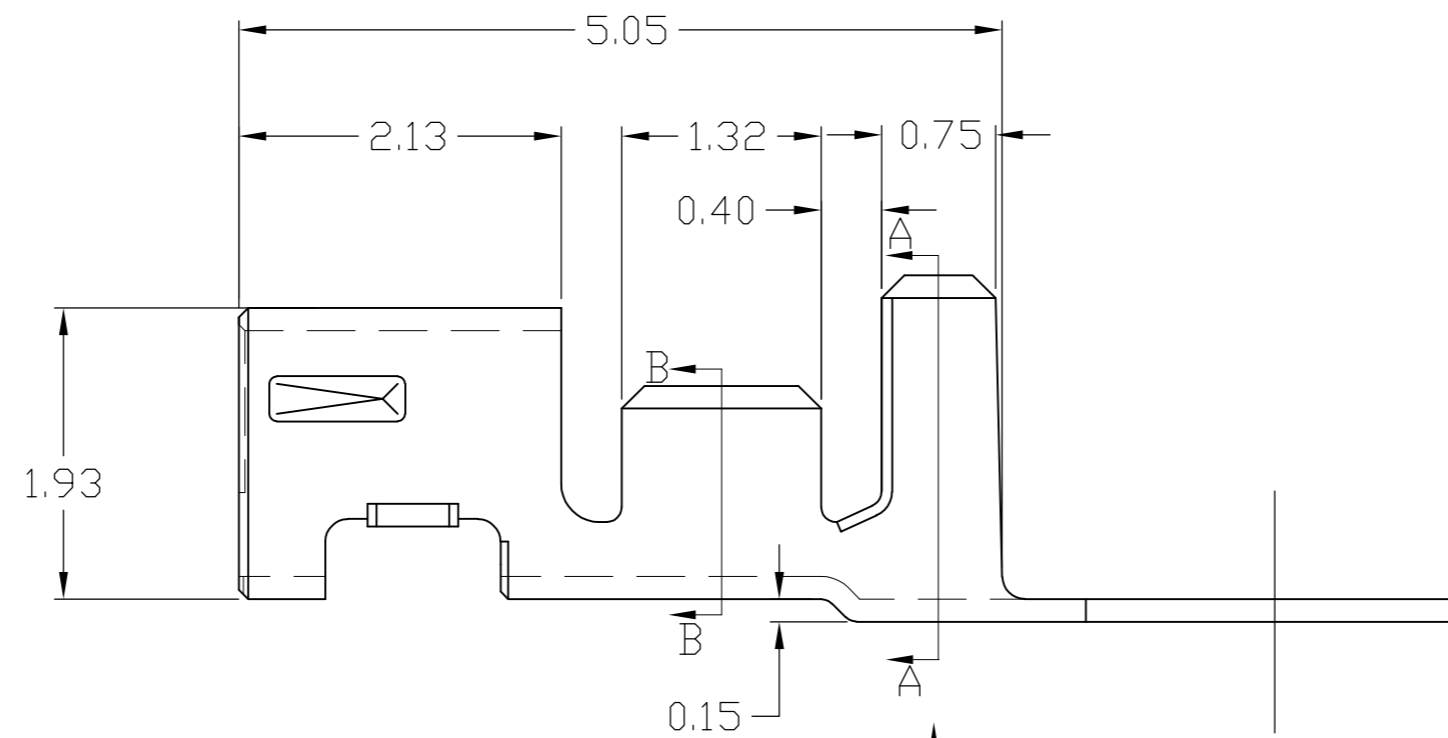
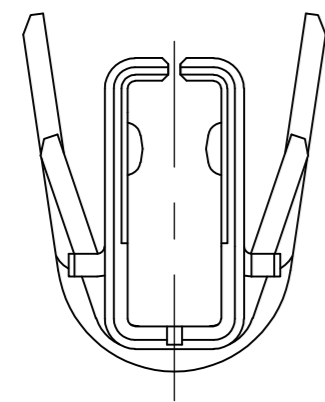
THIS DRAWING IS UNPUBLISHED. RELEASED FOR PUBLICATION  
 © COPYRIGHT BY TYCO ELECTRONICS CORPORATION. ALL RIGHTS RESERVED.

LOC		DIST		REVISIONS			
P	LTR	DESCRIPTION	DATE	DWN	APVD		
	E	Revised	23MAR2009	L.J	Z.J		



NOTE

1. GENERAL TOLERANCE : ±0.2mm,±2°;
2. APPLICABLE PLUG HOUSING P/N:  
X-1971030-2~10
3. CRIMPER APPLICATIO P/N: 1999135-2.  
HAND TOOL P/N: 1999798-1.



AWG#28~#24 0.079~0.24	Ø0.98~Ø1.58	BRASS H06 Pre-Tin (C2600)	1971031-2
AWG#28~#24 0.079~0.24	Ø0.98~Ø1.58	PBR H04 Pre-Tin (C5110)	1971031-1
WIRE RANGE	INSULATION DIA	Material	Part Number

THIS DRAWING IS A CONTROLLED DOCUMENT.		DWN Liu Jimmy 23MAR2009	Tyco Electronics Corporation Shanghai, China	
DIMENSIONS: mm		CHK Wu Hapye 23MAR2009	NAME Grace Inertia Connector 2.0 EV Series Receptacle Contact	
TOLERANCES UNLESS OTHERWISE SPECIFIED		APVD Zhou Julian 23MAR2009	PRODUCT SPEC 108-106001	
0 PLC ±		APPLICATION SPEC 114-5425		
1 PLC ± -		WEIGHT -		
2 PLC ± -		SIZE A2		
3 PLC ± -		CAGE CODE 00779		
4 PLC ± -		DRAWING NO C=1971031		
ANGLES ± -		RESTRICTED TO -		
FINISH -		SCALE 20:1 SHEET 1 of 1 REV E		
MATERIAL -		CUSTOMER DRAWING		

## X-ON Electronics

Largest Supplier of Electrical and Electronic Components

*Click to view similar products for [Headers & Wire Housings](#) category:*

*Click to view products by [TE Connectivity](#) manufacturer:*

Other Similar products are found below :

[892-18-020-10-001101](#) [58102-G61-06LF](#) [582553-1](#) [0009485154](#) [009176003701906](#) [0050291907](#) [LY20-4P-DT1-P1E-BR](#) [02.125.8002.8](#)  
[609-3404](#) [61062-3](#) [61082-181009](#) [622-3653LF](#) [63453-116](#) [636-1030](#) [636-1427](#) [636-3427](#) [636-4007](#) [641938-9](#) [641991-4](#) [644827-2](#) [65817-](#)  
[010LF](#) [65817-015LF](#) [65863-015LF](#) [66207-023LF](#) [67095-007LF](#) [67601157](#) [68645-018](#) [68648-049](#) [70.362.1628.0](#) [70-4210](#) [70-4226B](#) [70-](#)  
[4853B](#) [707-5020](#) [707-5028](#) [71.350.2428.0](#) [71918-208LF](#) [71961-016LF](#) [733-134](#) [733-162](#) [754199-000](#) [760-3052](#) [79531-3000](#) [FCN-](#)  
[360C032-B](#) [FCN-367T-T012/H](#) [FCN-723D010/2](#) [80.063.4001.1](#) [800-90-001-10-001000](#) [800-90-010-10-002000](#) [801-43-002-10-013000](#)  
[801-43-006-10-002000](#)