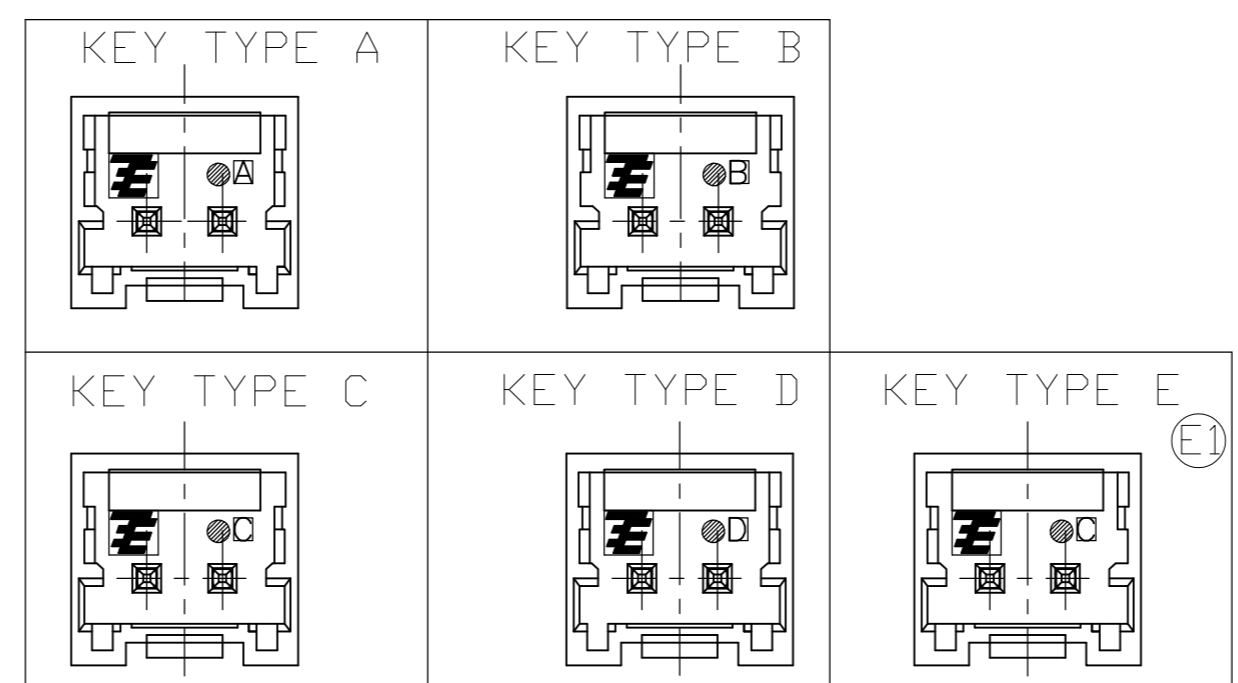
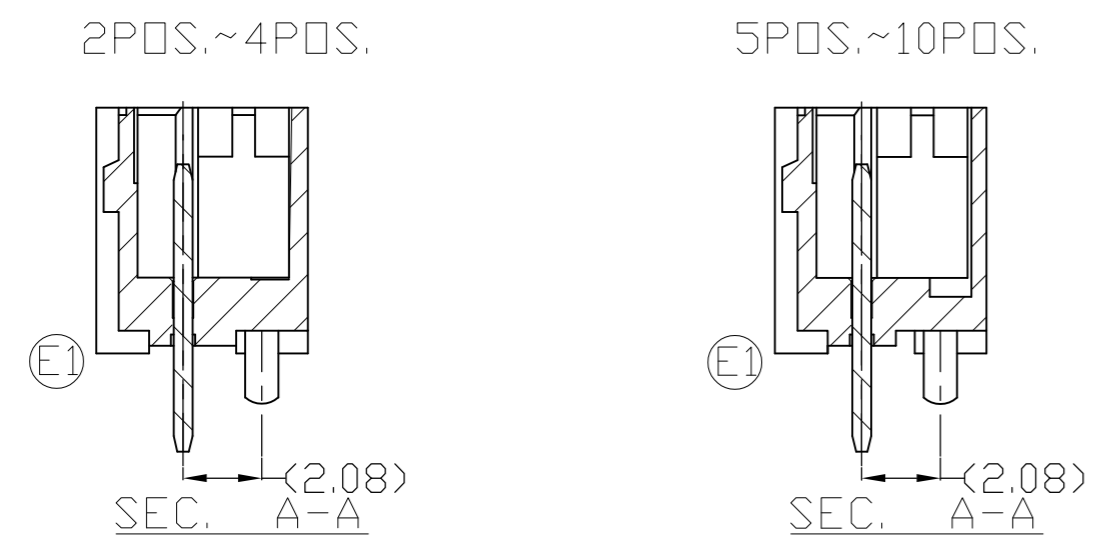


THIS DRAWING IS UNPUBLISHED. RELEASED FOR PUBLICATION
 © COPYRIGHT - TE Connectivity ALL RIGHTS RESERVED.

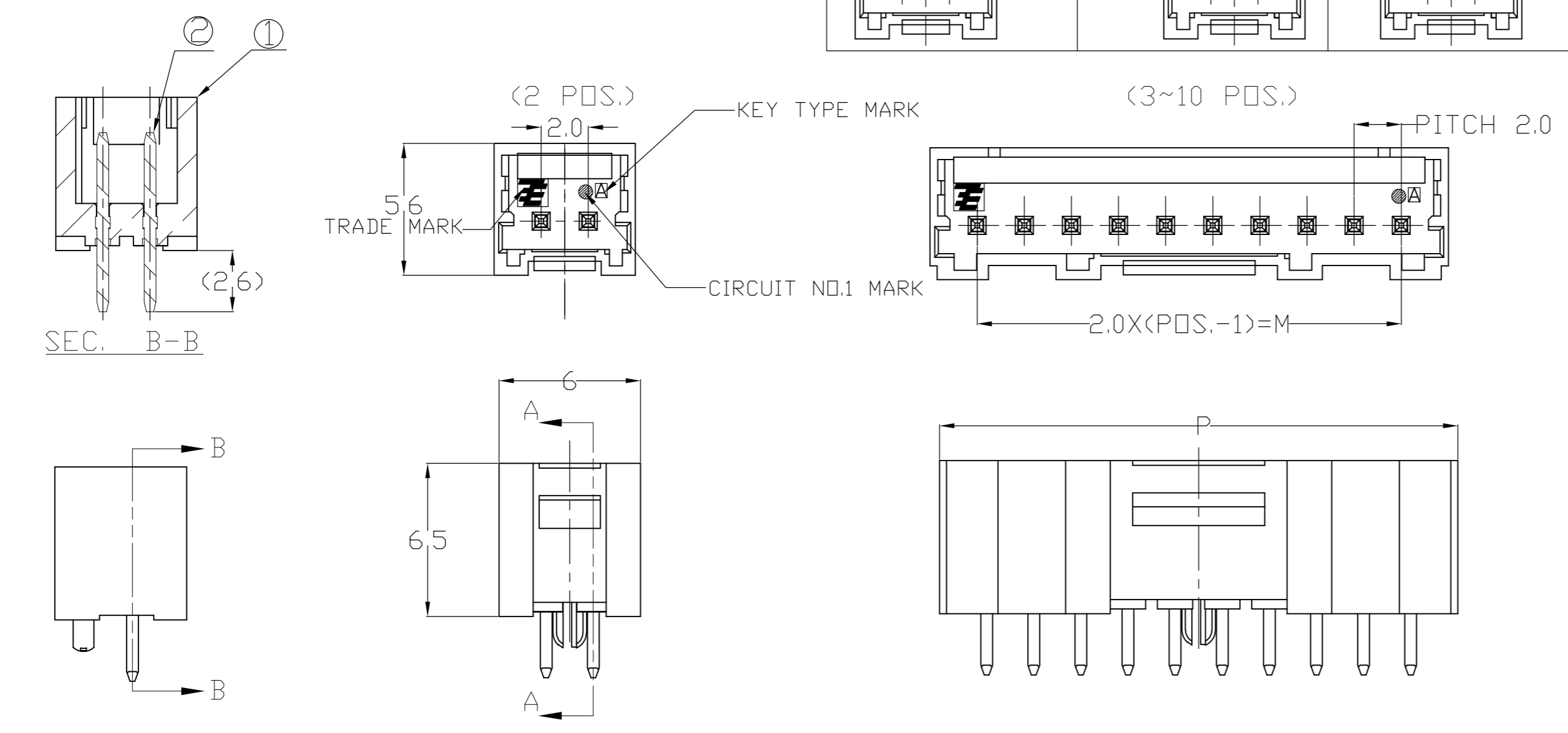
REVISIONS				
P	LTR	DESCRIPTION	DATE	APVD
E1	ECR-17-012398		29082017	M.G D.Z

KEY TYPE

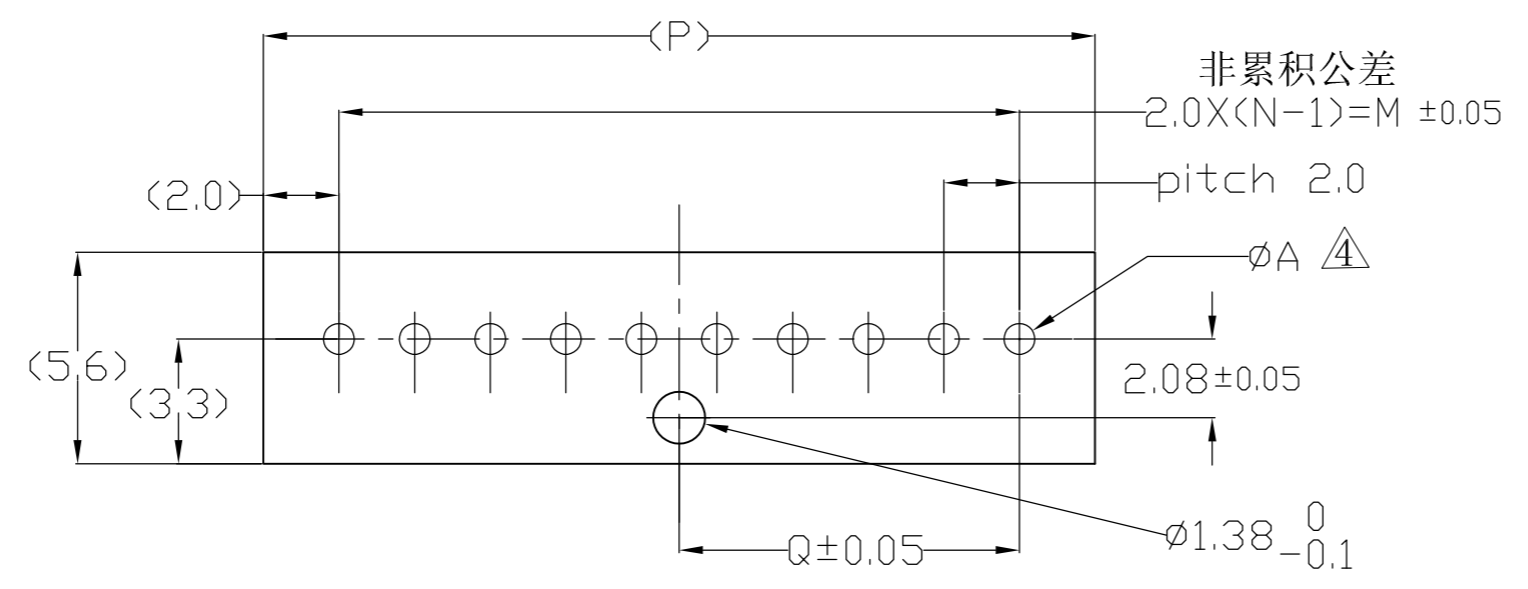


NOTE:
 1. GENERAL TOLERANCE: $\pm 0.3, \pm 0.3^\circ$
 2. MATERIAL: 66NYLON GF (UL94V-0)
 3. MATING CONN.P/N: SEE TABLE
 △ APPLICABLE P.C.B HOLE DIA: ϕA
 PANCED HOLE: $\phi 0.75 + 0.1 / - 0$
 DRILLED HOLE: $\phi 0.82 \pm 0.05$

①	HDR HOUSING	66NYLON GF (UL94V-0)
②	POST CONTACT	BRASS H06 PRE-Tin
NO.	NAME	MATERIAL



2~10Pos. PCB. Layout



THIS DRAWING IS A CONTROLLED DOCUMENT.		DWN Liu Jimmy 24DEC'2007		
DIMENSIONS: mm		CHK Wu Sam 24DEC'2007		
TOLERANCES UNLESS OTHERWISE SPECIFIED		APVD Zhou Julian 24DEC'2007	NAME Grace Inertia Connector 2.0 EV Series Header Assembly	
0 PLC ±		PRODUCT SPEC 108-106001	RESTRICTED TO	
1 PLC ±		APPLICATION SPEC 114-5425	SIZE A2	CAGE CODE 00779
2 PLC ±		WEIGHT 0	SCALE 5:1	SHEET 1 of 2
3 PLC ±		CUSTOMER DRAWING	REV E1	
4 PLC ±				
ANGLES ±				
FINISH				

THIS DRAWING IS UNPUBLISHED. RELEASED FOR PUBLICATION
 © COPYRIGHT - TE Connectivity ALL RIGHTS RESERVED.

REVISIONS				
P	LTR	DESCRIPTION	DATE	APVD
-	-	SEE SHEET 1	-	-

3-1971030-1	18	9	22	D	YELLOW	10	3-1971032-1
2-1971030-1				C	BLUE		2-1971032-1
1-1971030-1				B	RED		1-1971032-1
1971030-1				A	NATURAL		1971032-1
3-1971030-9	16	8	20	D	YELLOW	9	3-1971032-9
2-1971030-9				C	BLUE		2-1971032-9
1-1971030-9				B	RED		1-1971032-9
1971030-9				A	NATURAL		1971032-9
3-1971030-8	14	7	18	D	YELLOW	8	3-1971032-8
2-1971030-8				C	BLUE		2-1971032-8
1-1971030-8				B	RED		1-1971032-8
1971030-8				A	NATURAL		1971032-8
3-1971030-7	12	6	16	D	YELLOW	7	3-1971032-7
2-1971030-7				C	BLUE		2-1971032-7
1-1971030-7				B	RED		1-1971032-7
1971030-7				A	NATURAL		1971032-7
3-1971030-6	10	5	14	D	YELLOW	6	3-1971032-6
2-1971030-6				C	BLUE		2-1971032-6
1-1971030-6				B	RED		1-1971032-6
1971030-6				A	NATURAL		1971032-6
(E1) 4-1971030-5	8	4	12	E	BLACK	5	4-1971032-5
3-1971030-5				D	YELLOW		3-1971032-5
2-1971030-5				C	BLUE		2-1971032-5
1-1971030-5				B	RED		1-1971032-5
1971030-5				A	NATURAL		1971032-5
3-1971030-4	6	3	10	D	YELLOW	4	3-1971032-4
2-1971030-4				C	BLUE		2-1971032-4
1-1971030-4				B	RED		1-1971032-4
1971030-4				A	NATURAL		1971032-4
3-1971030-3	4	2	8	D	YELLOW	3	3-1971032-3
2-1971030-3				C	BLUE		2-1971032-3
1-1971030-3				B	RED		1-1971032-3
1971030-3				A	NATURAL		1971032-3
(E1) 4-1971030-2	2	1	6	E	BLACK	2	4-1971032-2
3-1971030-2				D	YELLOW		3-1971032-2
2-1971030-2				C	BLUE		2-1971032-2
1-1971030-2				B	RED		1-1971032-2
1971030-2				A	NATURAL		1971032-2
MATING CONN P/N	M	Q	P	KEY	COLOR	POS.	PART NUMBER

THIS DRAWING IS A CONTROLLED DOCUMENT.		DWN Liu Jimmy 24DEC'2007	STE TE Connectivity	
DIMENSIONS: mm		CHK Wu Sam 24DEC'2007		
TOLERANCES UNLESS OTHERWISE SPECIFIED:		APVD Zhou Julian 24DEC'2007	NAME Grace Inertia Connector 2.0 EV Series Header Assembly	
0 PLC ± 1 PLC ± 2 PLC ± 3 PLC ± 4 PLC ± ANGLES ±		PRODUCT SPEC 108-106001	RESTRICTED TO	
MATERIAL		APPLICATION SPEC 114-5425	SIZE A2	CAGE CODE 00779
FINISH		WEIGHT	DRAWING NO. C-1971032	SCALE 5:1
		CUSTOMER DRAWING	SHEET 2 of 2	REV E1

X-ON Electronics

Largest Supplier of Electrical and Electronic Components

Click to view similar products for [Headers & Wire Housings](#) category:

Click to view products by [TE Connectivity](#) manufacturer:

Other Similar products are found below :

[892-18-020-10-001101](#) [58102-G61-06LF](#) [582553-1](#) [0009485154](#) [009176003701906](#) [0050291907](#) [LY20-4P-DT1-P1E-BR](#) [02.125.8002.8](#)
[609-3404](#) [61062-3](#) [61082-181009](#) [622-3653LF](#) [63453-116](#) [636-1030](#) [636-1427](#) [636-3427](#) [636-4007](#) [641938-9](#) [641991-4](#) [644827-2](#) [65817-](#)
[010LF](#) [65817-015LF](#) [65863-015LF](#) [66207-023LF](#) [67095-007LF](#) [67601157](#) [68645-018](#) [68648-049](#) [70.362.1628.0](#) [70-4210](#) [70-4226B](#) [70-](#)
[4853B](#) [707-5020](#) [707-5028](#) [71.350.2428.0](#) [71918-208LF](#) [71961-016LF](#) [733-134](#) [733-162](#) [754199-000](#) [760-3052](#) [787-8014-00](#) [79531-3000](#)
[FCN-360C032-B](#) [FCN-367T-T012/H](#) [FCN-723D010/2](#) [80.063.4001.1](#) [800-90-001-10-001000](#) [800-90-010-10-002000](#) [801-43-002-10-013000](#)