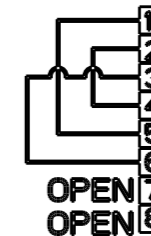
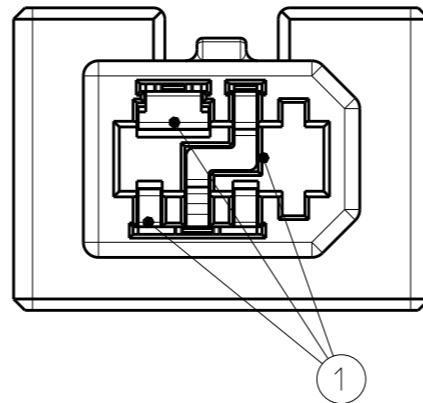
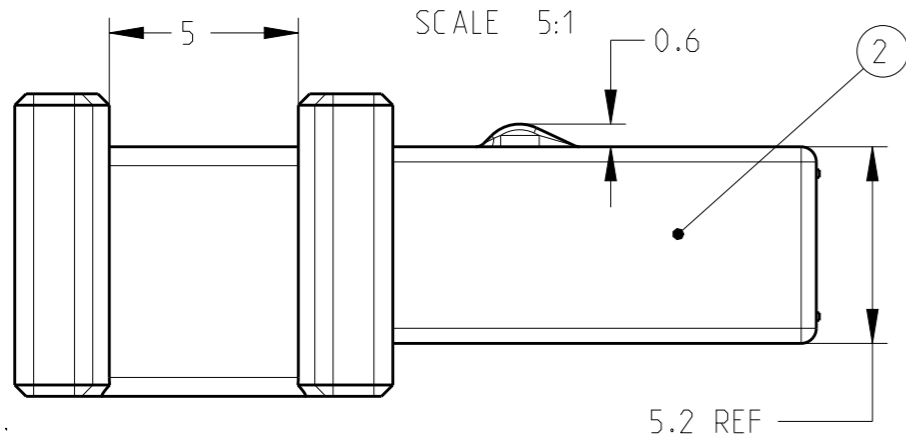
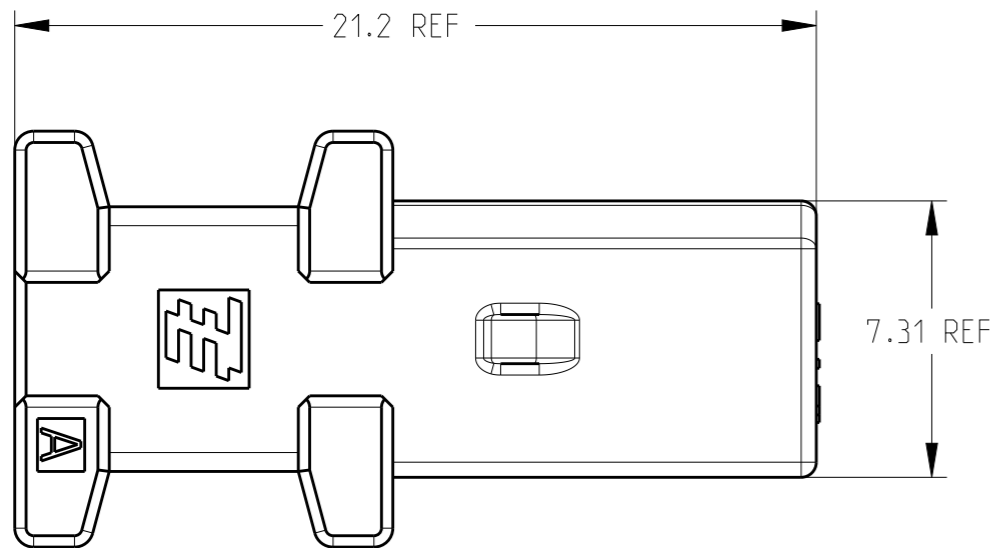
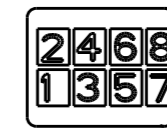


THIS DRAWING IS UNPUBLISHED. RELEASED FOR PUBLICATION 20
 © COPYRIGHT 20 BY - ALL RIGHTS RESERVED.

REVISIONS					
P	LTR	DESCRIPTION	DATE	DWN	APVD
	B	REVISED	01JUN2015	T.S	N.Y



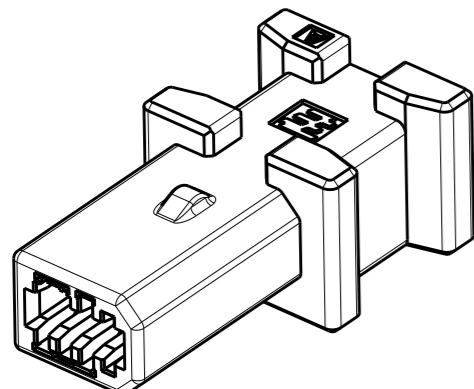
WIREING SCHMATIC



PIN NO.

NOTES:

1. GENERAL TOLERANCE: ± 0.3 .
2. CAN NOT BE MATED WITH CABLE.
3. THE PACKAGE OF 1971153-1 REFER TO FGPI-1971153-1
THE PACKAGE OF 1971153-2 REFER TO FGPI-1971153-2



MATERIAL/FINISH	PART NAME	ITEM NO
- - 1 1 POLYAMID OF GLASS FIBER PLASTIC UL94V-0	HOUSING	2
- - 1 1 COPPER ALLOY UNDER ALL SURFACE Ni PLATING 1.27 um MIN. CONTACT AREA Au Plating 0.3 um MIN.	CONTACT	1

S08-037	PROJECT NO.
---------	-------------

- - -2	1971053-1	QTY REQD PER ASSY	PARTS LIST
--------	-----------	-------------------	------------

THIS DRAWING IS A CONTROLLED DOCUMENT.		DWN 25JUN2008 SAMUEL SUN		
DIMENSIONS: mm		CHK 26JUN2008 ROCK LV		
TOLERANCES UNLESS OTHERWISE SPECIFIED:		APVD 27JUN2008 JULIAN ZHOU	NAME ASSEMBLY INDUSTRIAL MINI I/O BY-PASS CONNECTOR	
0 PLC \pm		PRODUCT SPEC 108-106021	RESTRICTED TO	
1 PLC ± 0.5		APPLICATION SPEC	SIZE A3	CAGE CODE 00779
2 PLC ± 0.13		WEIGHT 1.3g	DRAWING NO C-1971153	SCALE 5:1
3 PLC ± 0.013		Customer Drawing	SHEET 1 OF 1	REV B
4 PLC ± 0.0001				
ANGLES \pm				
MATERIAL -				
FINISH -				

X-ON Electronics

Largest Supplier of Electrical and Electronic Components

Click to view similar products for [Modular Connectors / Ethernet Connectors](#) category:

Click to view products by [TE Connectivity](#) manufacturer:

Other Similar products are found below :

[8949-H88/06BLKA/SN](#) [74441-0010/BKN](#) [MP1010RX-1000](#) [MP44RX-1000](#) [PHJ-4P4C-1-V-4](#) [PHP-6P6C-5](#) [GAX-3-66](#) [GAX-8-62](#) [GDCX-PA-66-50](#) [GDCX-PN-64](#) [GDCX-PN-66](#) [GDCX-PN-66-50](#) [GDLX-A-66](#) [GDLX-N-66](#) [GDLX-S-66](#) [GDLX-S-88K](#) [GDTX-S-88-50](#) [GDX-PA-1010](#) [GLX-N-1010M-BLK](#) [GLX-S-88M-BLK](#) [GMX-N-1010](#) [GMX-S-1010](#) [GMX-S-66](#) [GMX-SMT4-N-88](#) [GPX-2-64](#) [GSGX-N-2-88](#) [GSGX-N-4-88](#) [GSX-NS2-88-3.05](#) [GSX-NS2-88-3.05-50](#) [GSX-NS-88-3.05-50](#) [PT-108A-8C-UL](#) [PT-J951-8C](#) [PTS-J531-8CS-50UL](#) [1-1775629-2](#) [A-2014-0-4](#) [GWLX-S-88-GR](#) [GWLX-S9-88-YG](#) [DC-1021-8-WH-6](#) [1300530003](#) [1324640-4](#) [RJ11FTVC2G](#) [RJ11FTVC2N](#) [RJFTVX2SA1G](#) [132764-001](#) [1413235](#) [MP88X-1000](#) [MPS88RX-5000](#) [E5288-S000K3-L](#) [E5908-15A242-L](#) [155302-001](#)