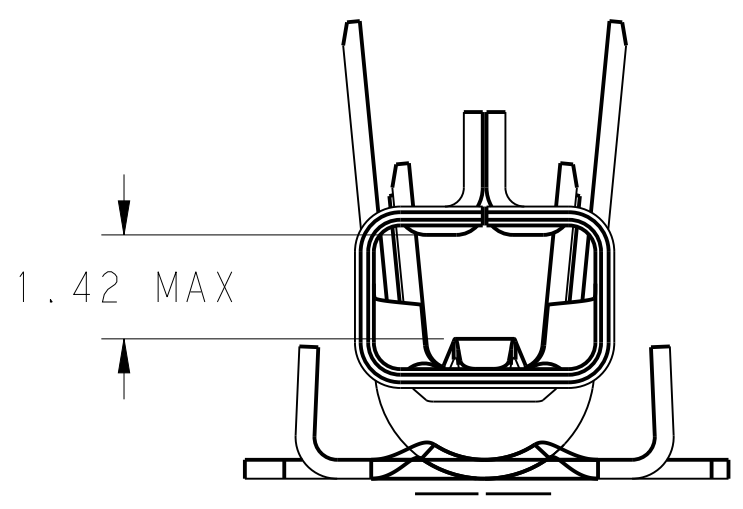
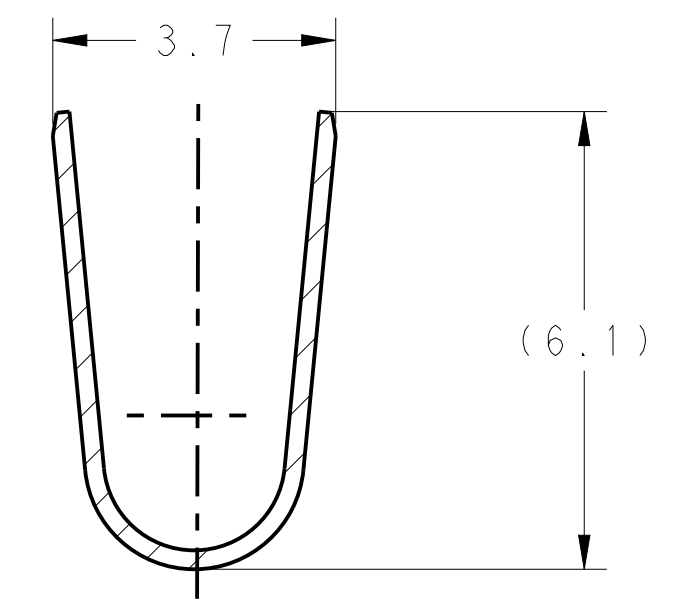
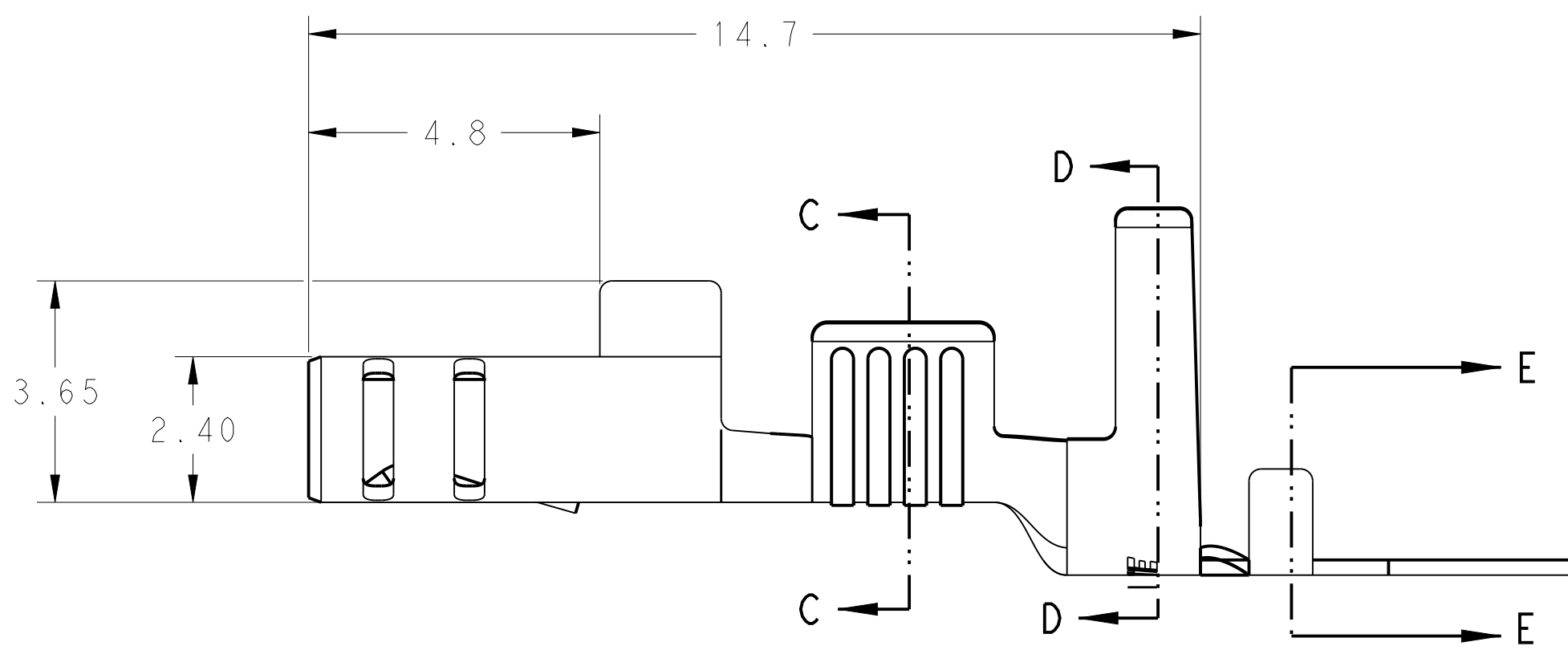
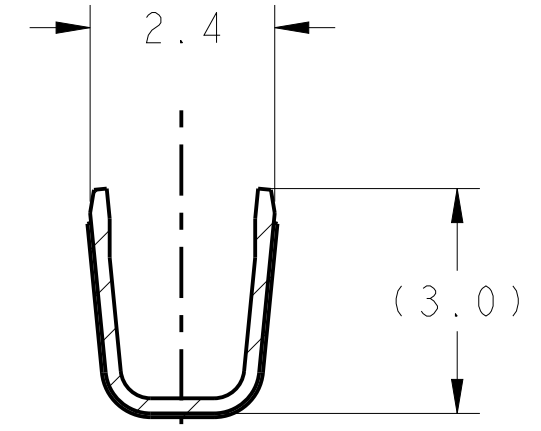
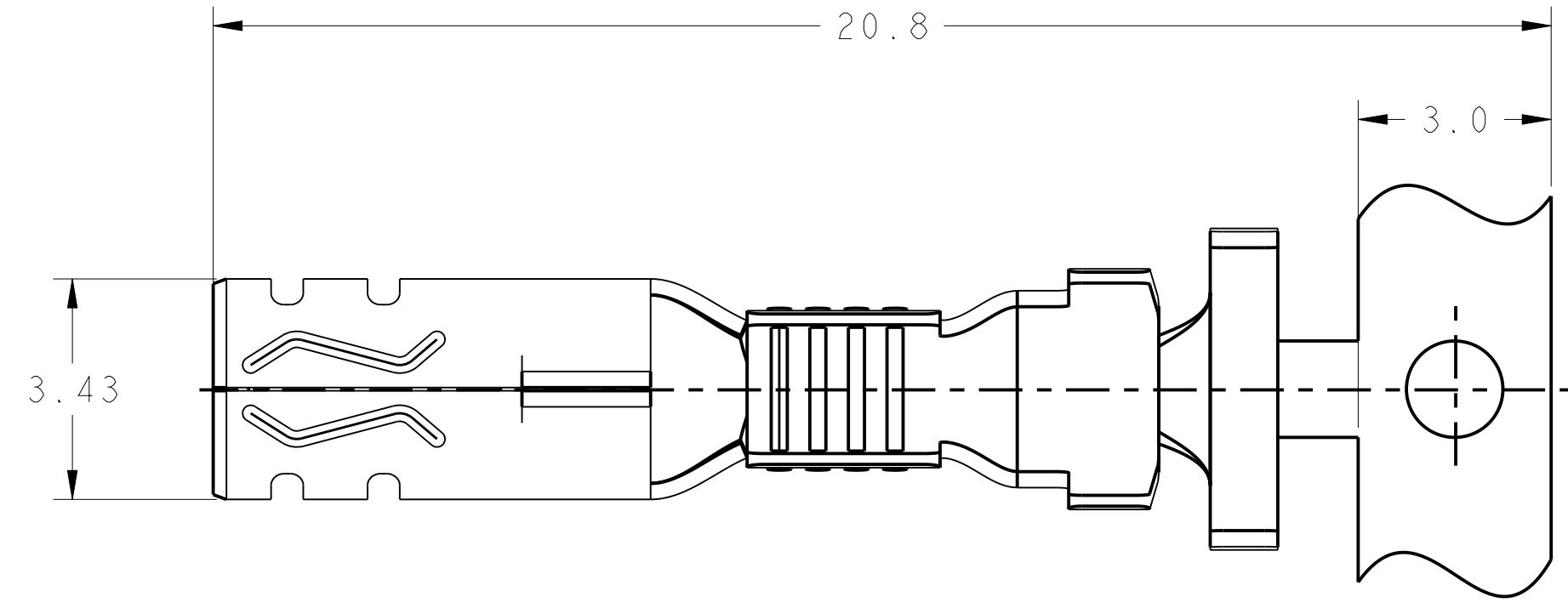
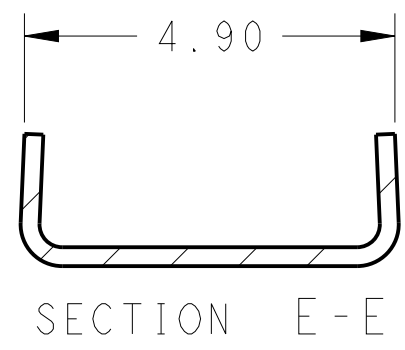


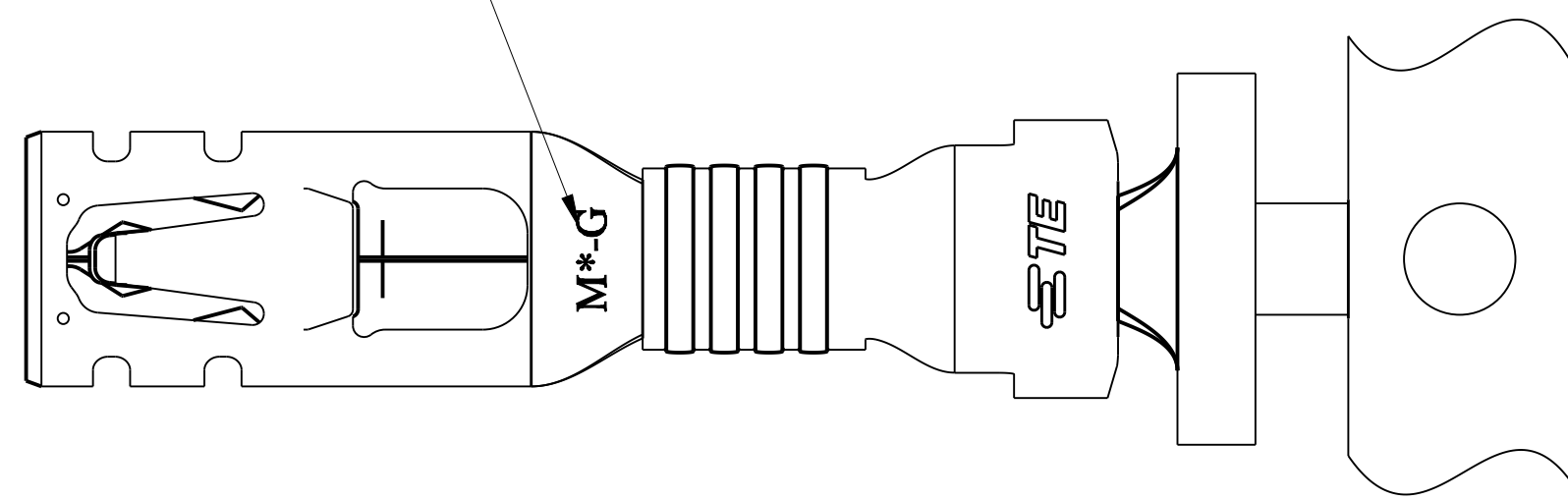
THIS DRAWING IS UNPUBLISHED. RELEASED FOR PUBLICATION 20  
 © COPYRIGHT 20 BY - ALL RIGHTS RESERVED.

LOC ES DIST 00

REVISIONS				
P	LTR	DESCRIPTION	DATE	APVD
E		REVISED PER ECR-21-100678	08APR2021	SS VS



MATERIAL/SIZE MARK



1. MATERIAL: COPPER ALLOY, PRE TIN PLATING.
2. RECOMMENDED WIRE RANGE: 2x20 AWG, 1x18+1x22 AWG (TOTAL CMA 2000-2620) COPPER STRANDED
3. APPLICABLE INSULATION DIAMETER: 2.2-2.8 MM EACH WIRE
4. APPLICABLE MATED PLUG HOUSING P/N:  
 \*-1971773-\*/\*-1971776-\*/\*-1971876-\*/  
 /\*-2232265-\*//\*-2232266-\*//\*-2232357-\*

- SUPERSEDED BY 1971237-2
- WIRE SIZE INDICATOR "G" = 2x20 AWG, 1x18+1x22 AWG

HIGH(150°C)	M0-G	1971237-2
STANDARD(105°C)	M4	1971237-1
TEMP. RATING	MAT/SIZE MARK	PART NO

THIS DRAWING IS A CONTROLLED DOCUMENT.

DIMENSIONS:	TOLERANCES UNLESS OTHERWISE SPECIFIED:	DWN TOMMY WU 9AUG2012	TE Connectivity
mm	0 PLC ±	CHK HAPYE WU 9AUG2012	
	1 PLC ±0.5	APVD YUHHONG MAO 9AUG2012	
	2 PLC ±0.30	PRODUCT SPEC 108-106118	
MATERIAL	3 PLC ±	APPLICATION SPEC 114-106118	NAME RECEPTACLE CONTACT POWER TRIPLE LOCK
	4 PLC ±	WEIGHT -	SIZE A2 CAGE CODE A200779 DRAWING NO C-1971237
	ANGLES ±	Customer Drawing	RESTRICTED TO -
	FINISH ±	SCALE 5:1 SHEET 1 OF 1 REV E	

## X-ON Electronics

Largest Supplier of Electrical and Electronic Components

*Click to view similar products for [Headers & Wire Housings](#) category:*

*Click to view products by [TE Connectivity](#) manufacturer:*

Other Similar products are found below :

[892-18-020-10-001101](#) [58102-G61-06LF](#) [582553-1](#) [0009485154](#) [009176003701906](#) [0050291907](#) [LY20-4P-DT1-P1E-BR](#) [02.125.8002.8](#)  
[609-3404](#) [61062-3](#) [61082-181009](#) [622-3653LF](#) [63453-116](#) [636-1030](#) [636-1427](#) [636-3427](#) [636-4007](#) [641938-9](#) [641991-4](#) [644827-2](#) [65817-](#)  
[010LF](#) [65817-015LF](#) [65863-015LF](#) [66207-023LF](#) [67095-007LF](#) [67601157](#) [68645-018](#) [68648-049](#) [70.362.1628.0](#) [70-4210](#) [70-4226B](#) [70-](#)  
[4853B](#) [707-5020](#) [707-5028](#) [71.350.2428.0](#) [71918-208LF](#) [71961-016LF](#) [733-134](#) [733-162](#) [754199-000](#) [760-3052](#) [787-8014-00](#) [79531-3000](#)  
[FCN-360C032-B](#) [FCN-367T-T012/H](#) [FCN-723D010/2](#) [80.063.4001.1](#) [800-90-001-10-001000](#) [800-90-010-10-002000](#) [801-43-002-10-013000](#)