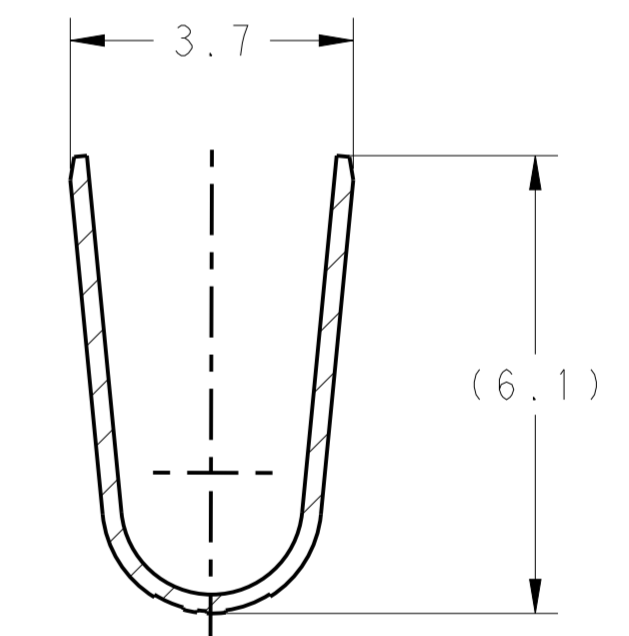
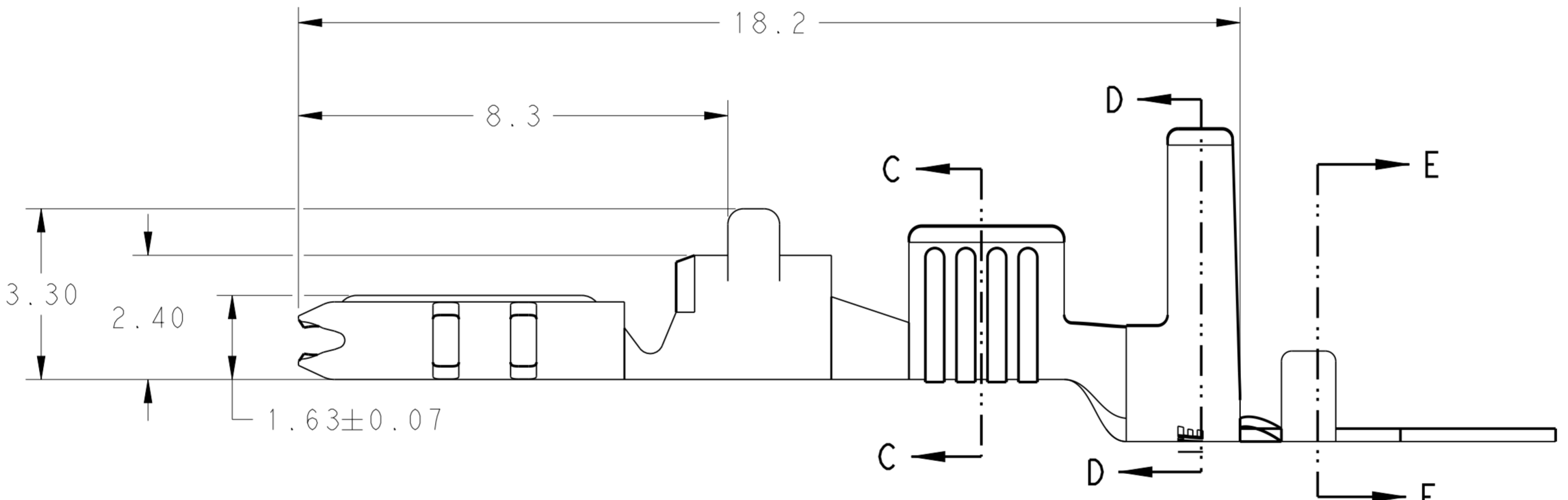
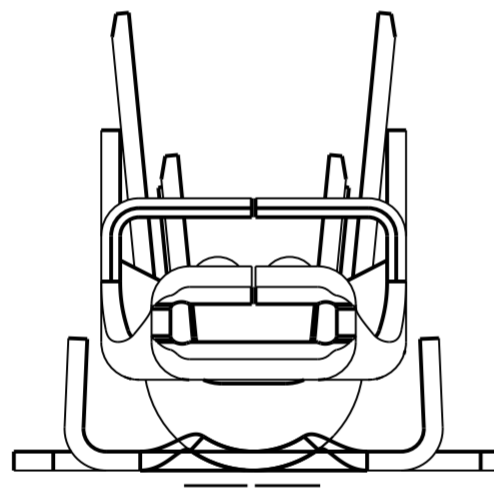
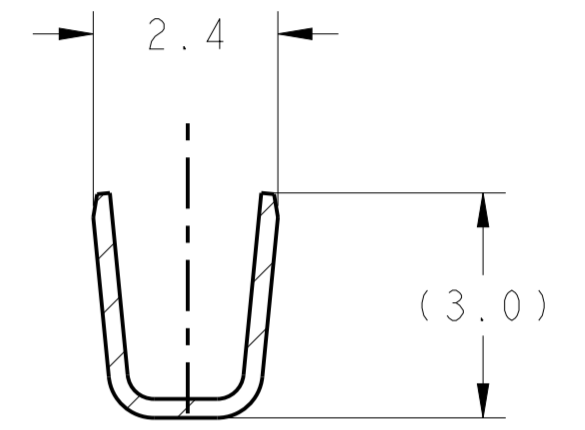
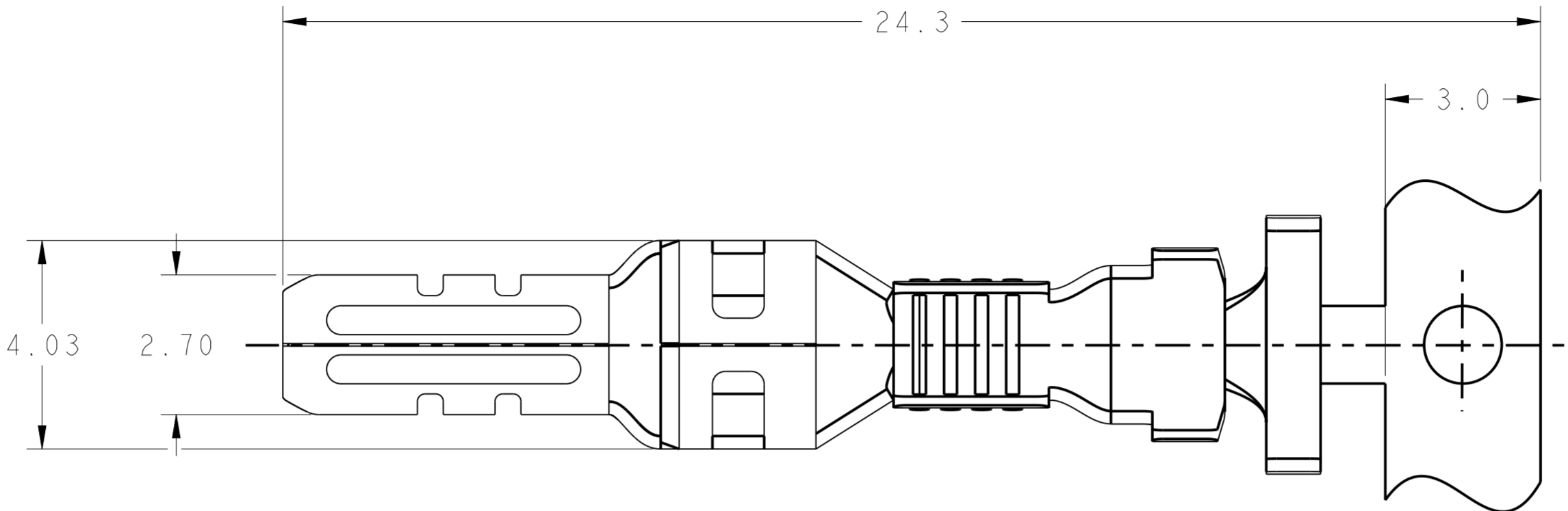
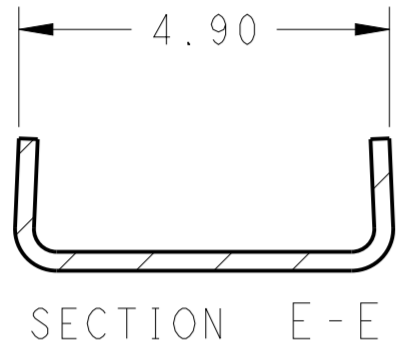
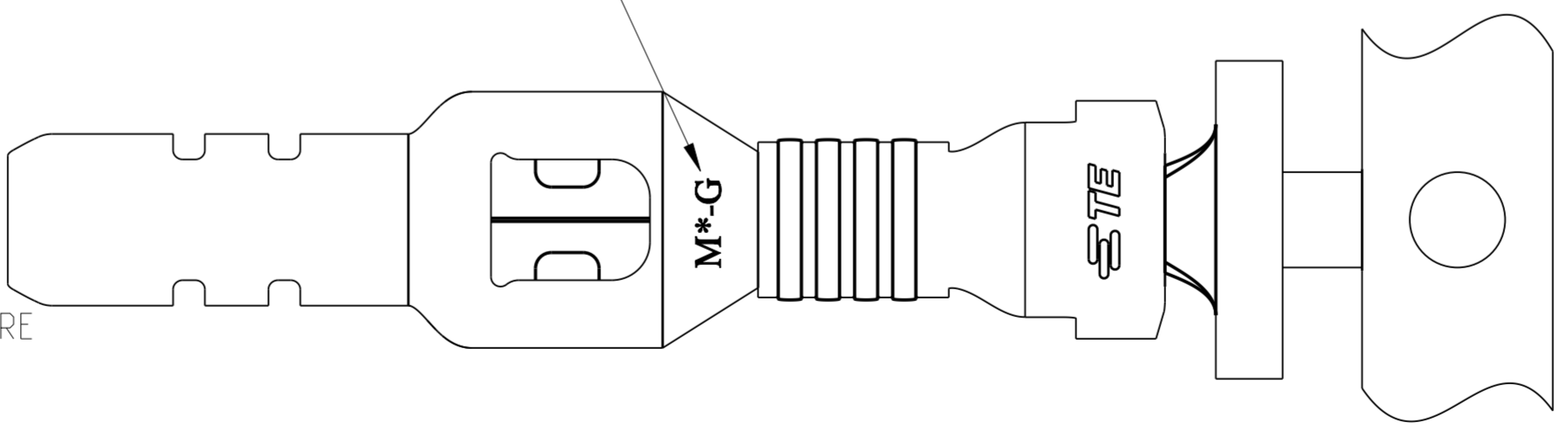


THIS DRAWING IS UNPUBLISHED. RELEASED FOR PUBLICATION 20  
 © COPYRIGHT 20 BY - ALL RIGHTS RESERVED.

LOC	DIST	REVISIONS					
ES	00	P	LTR	DESCRIPTION	DATE	DWN	APVD
		E		REVISED PER ECR-21-100678	08APR2021	SS	VS



5 MATERIAL/SIZE MARK



- 1 MATERIAL: COPPER ALLOY, PRE TIN PLATING
- 2 RECOMMENDED WIRE RANGE: 2x20 AWG, 1x18+1x22 AWG (TOTAL CMA 2000 ~ 2620) COPPER STRANDED
- 3 APPLICABLE INSULATION DIAMETER: 2.2 ~ 2.8 mm EACH WIRE
- 4 APPLICABLE MATED CAP HOUSING P/N:  
 \*-1971772-\*/\*-1971775-\*/\*-1971875-\*/  
 \*-2232263-\*/\*-2232264-\*/\*-2232356-\*

5 WIRE SIZE INDICATOR "G"=2x20 AWG, 1x18+1x22 AWG

SUPERSEDED BY 1971238-2

HIGH(150°C)	M0-G	1971238-2
STANDARD(105°C)	M4	1971238-1
TEMP. RATING	MATERIAL / SIZE MARK/5	PART NO

THIS DRAWING IS A CONTROLLED DOCUMENT.		DWN TOMMY WU 9AUG2012	<b>STE</b> TE Connectivity	
		CHK HAPYE WU 9AUG2012		
		APVD YUHHONG MAO 9AUG2012	NAME	
DIMENSIONS: mm		PRODUCT SPEC 108-106118	TAB CONTACT POWER TRIPLE LOCK	
TOLERANCES UNLESS OTHERWISE SPECIFIED:		APPLICATION SPEC 114-106118	RESTRICTED TO	
0 PLC ±0.5		WEIGHT -	SIZE A2	CAGE CODE 00779
1 PLC ±0.30		DRAWING NO C-1971238		SCALE 5:1
2 PLC ±0.30		Customer Drawing		SHEET 1 OF 1
3 PLC ±0.30				REV E
4 PLC ±				
ANGLES ±				
FINISH				

## X-ON Electronics

Largest Supplier of Electrical and Electronic Components

*Click to view similar products for [Headers & Wire Housings](#) category:*

*Click to view products by [TE Connectivity](#) manufacturer:*

Other Similar products are found below :

[892-18-020-10-001101](#) [58102-G61-06LF](#) [582553-1](#) [0009485154](#) [009176003701906](#) [0050291907](#) [LY20-4P-DT1-P1E-BR](#) [02.125.8002.8](#)  
[609-3404](#) [61062-3](#) [61082-181009](#) [622-3653LF](#) [63453-116](#) [636-1030](#) [636-1427](#) [636-3427](#) [636-4007](#) [641938-9](#) [641991-4](#) [644827-2](#) [65817-](#)  
[010LF](#) [65817-015LF](#) [65863-015LF](#) [66207-023LF](#) [67095-007LF](#) [67601157](#) [68645-018](#) [68648-049](#) [70.362.1628.0](#) [70-4210](#) [70-4226B](#) [70-](#)  
[4853B](#) [707-5020](#) [707-5028](#) [71.350.2428.0](#) [71918-208LF](#) [71961-016LF](#) [733-134](#) [733-162](#) [754199-000](#) [760-3052](#) [787-8014-00](#) [79531-3000](#)  
[FCN-360C032-B](#) [FCN-367T-T012/H](#) [FCN-723D010/2](#) [80.063.4001.1](#) [800-90-001-10-001000](#) [800-90-010-10-002000](#) [801-43-002-10-013000](#)