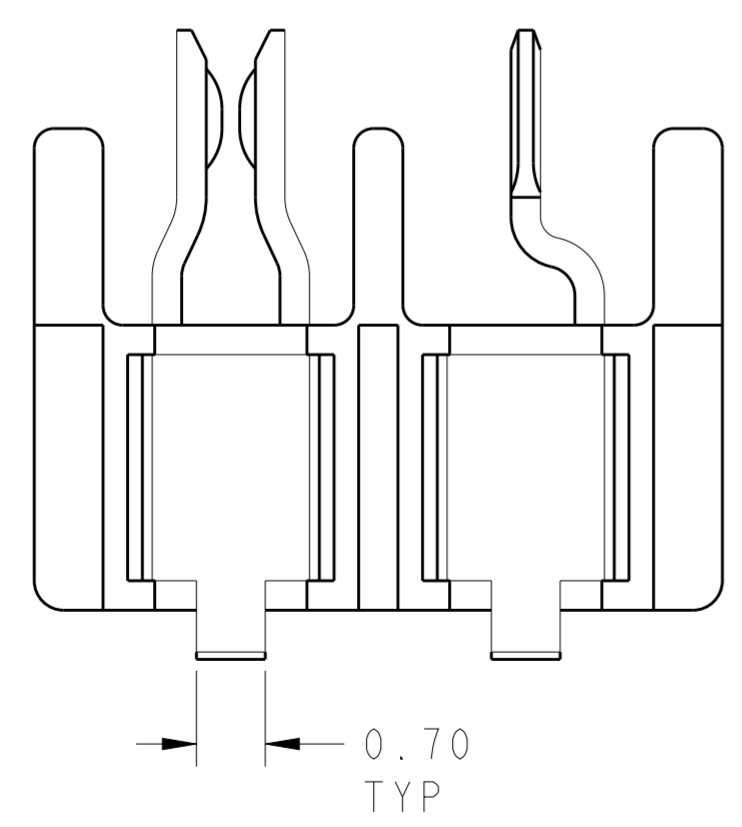
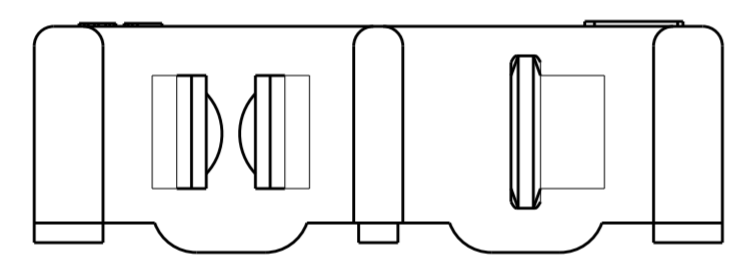
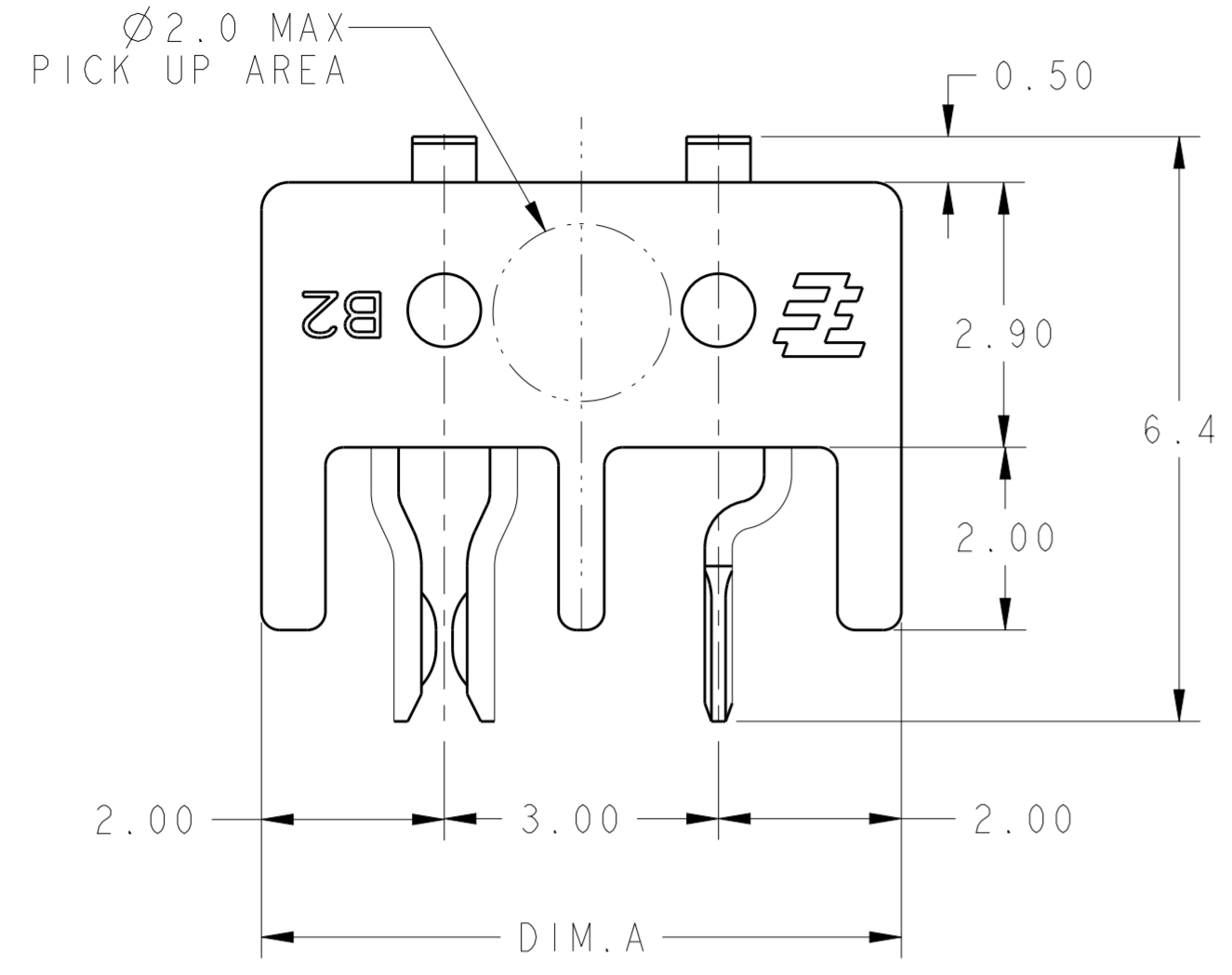


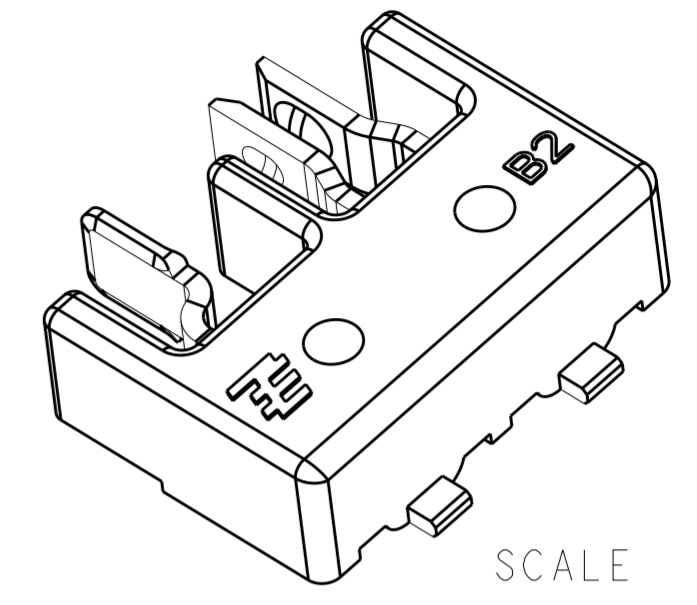
THIS DRAWING IS UNPUBLISHED. RELEASED FOR PUBLICATION 20
 © COPYRIGHT 20 BY - ALL RIGHTS RESERVED.

LOC		DIST		REVISIONS			
P	LTR	DESCRIPTION		DATE	DWN	APVD	
B		ECR-10-011153		27APR2010	K. J	J. Z	
C		ECR-11-000286		6JAN2011	K. J	X. X	
D		ECR-11-009157		3MAY2011	K. J	X. X	
E		REVISED PER ECR-12-008975		26JUL2012	RS	DD	

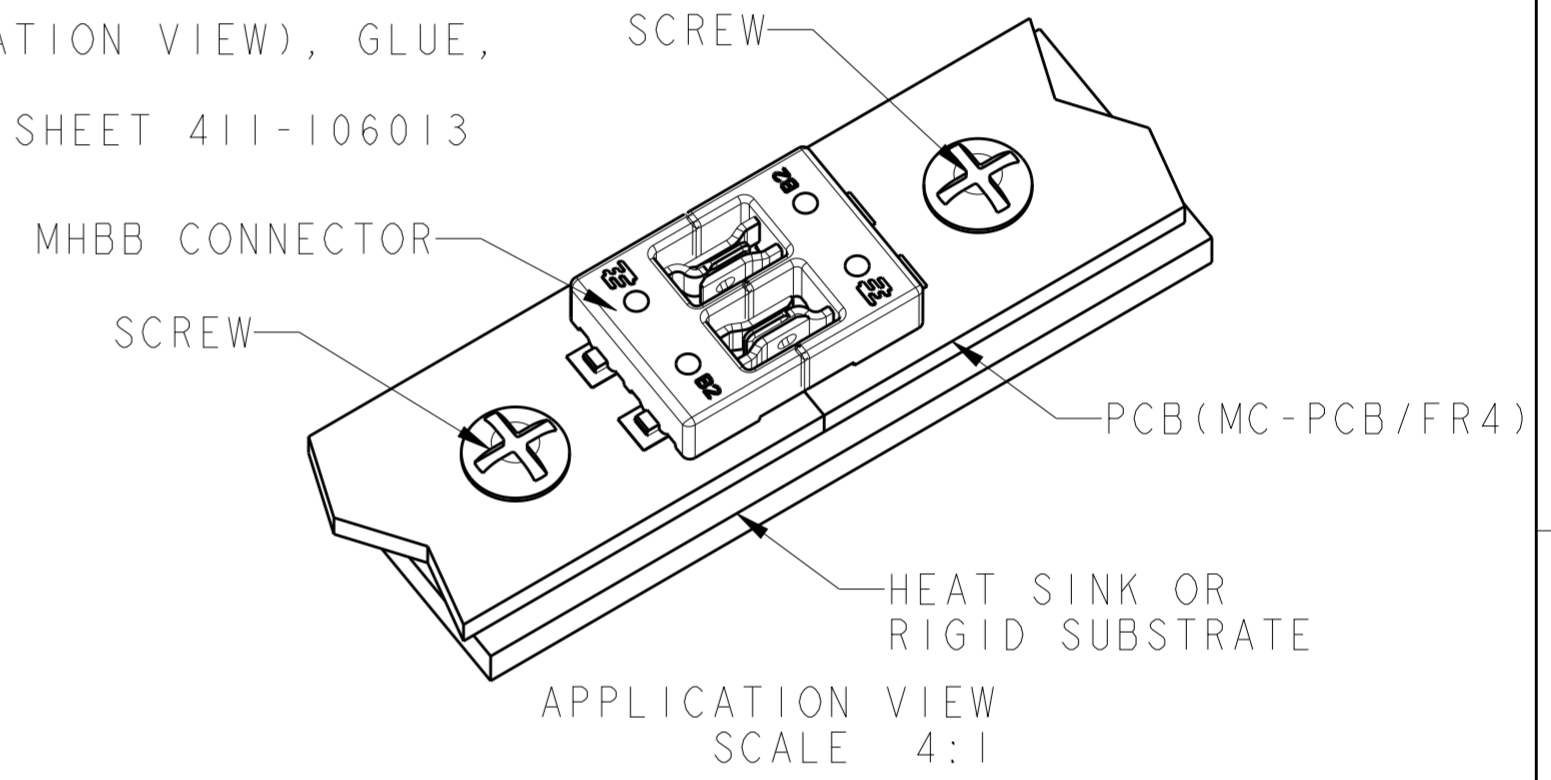
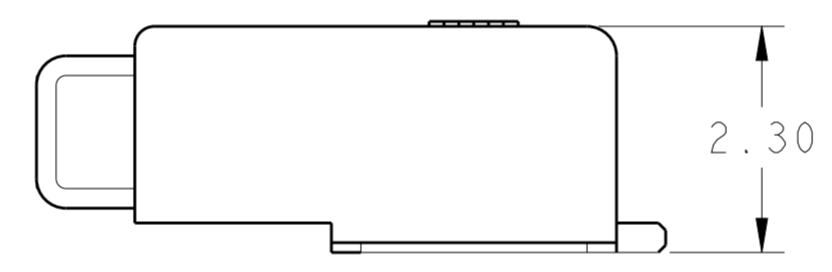


NOTES:

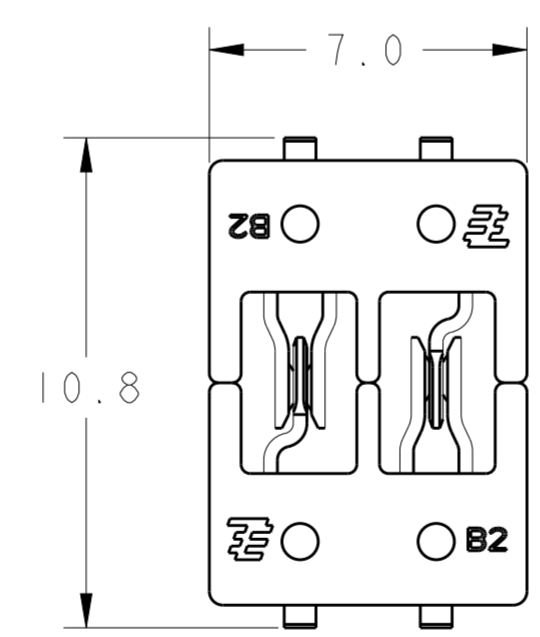
1. PACKAGED IN TAPE AND REEL PER IEA-481 SPECIFICATIONS.
2. MATERIAL AND FINISH:
 -HOUSING: THERMAL PLASTIC
 -PIN CONTACT:BRASS
 -SOCKET CONTACT:COPPER ALLOY
 -FINISH:TIN OVER NICKEL.
3. SUITABLE FOR SMT PROCESS.
4. TO ENSURE THE FUNCTION OF THE MINIATURE HERMAPHRODITIC B-B CONNECTORS, THE PCB WITH MINIATURE HERMAPHRODITIC B-B CONNECTORS SHOULD BE FIXED ON THE HEAT SINK OR SOME OTHER RIGID SUBSTRATE.
 CUSTOMER CAN USE SCREW (SHOW AS APPLICATION VIEW), GLUE, OR SOME OTHER METHOD TO FIX THE PCBs.
 FOR DETAIL PLEASE REFER TO INSTRUCTION SHEET 411-106013



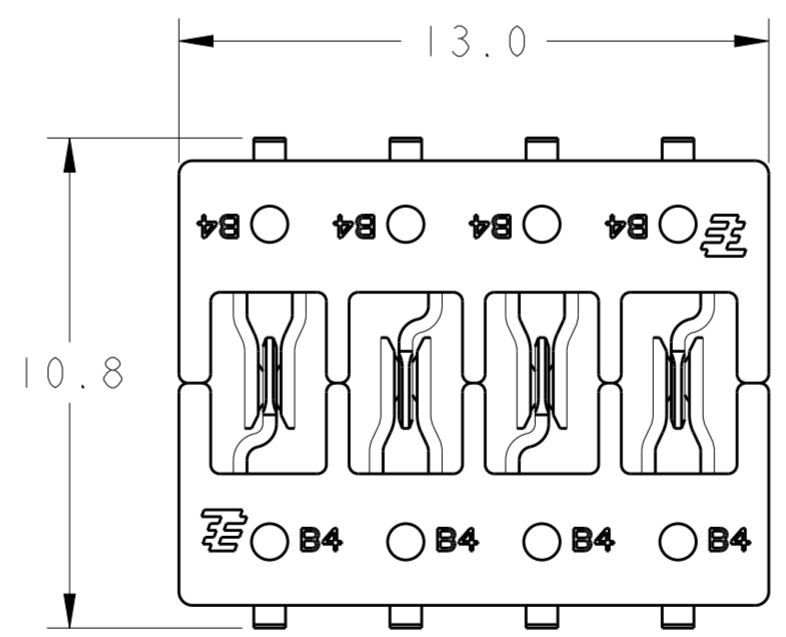
SCALE 10:1



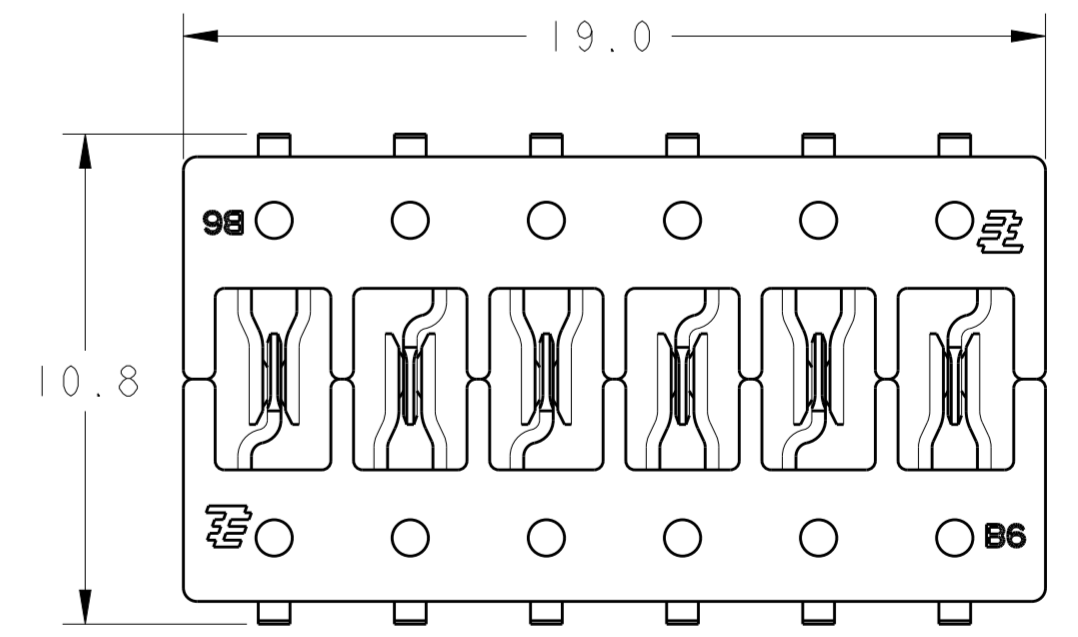
APPLICATION VIEW
SCALE 4:1



1971567-1(2 MATING PARTS)
SCALE 6:1



1971567-2(2 MATING PARTS)
SCALE 6:1



1971567-3(2 MATING PARTS)
SCALE 6:1

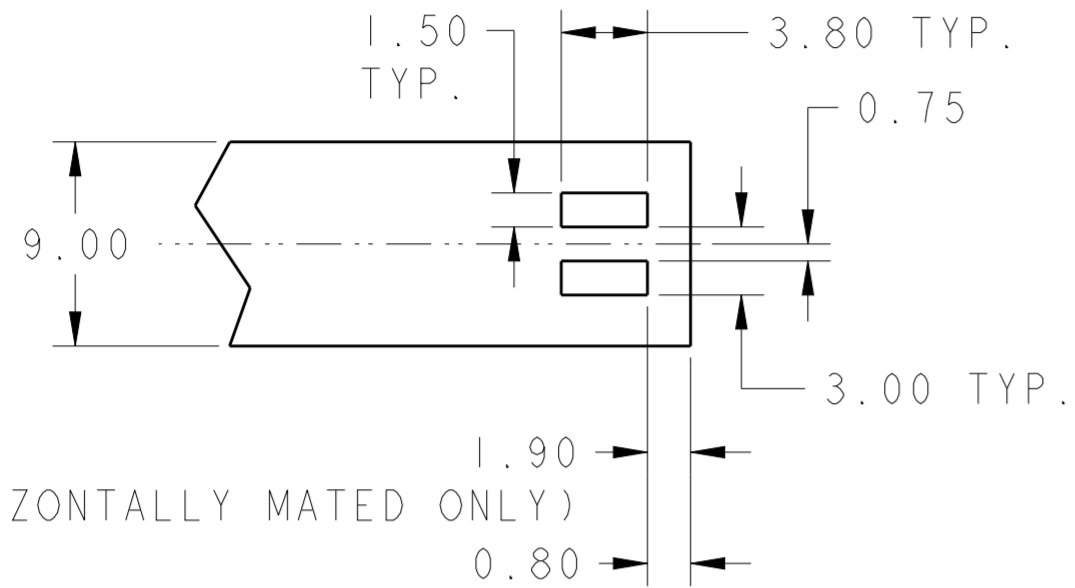
NATURAL	6P	19.0	1971567-3
NATURAL	4P	13.0	1971567-2
NATURAL	2P	7.0	1971567-1
COLOR	POSITION	DIM A	PART NO

THIS DRAWING IS A CONTROLLED DOCUMENT.

DIMENSIONS: mm	TOLERANCES UNLESS OTHERWISE SPECIFIED: 0 PLC ± 1 PLC ±0.5 2 PLC ±0.13 3 PLC ±0.013 4 PLC ±0.0001 ANGLES ± FINISH	DWN KEVIN JIANG 23MAY2011	TE Connectivity
		CHK TRACY TAO 23MAY2011	
MATERIAL		APVD XIANG XU 23MAY2011	MINIATURE HERMAPHRODITIC BOARD TO BOARD CONNECTOR
PRODUCT SPEC 108-106050		APPLICATION SPEC 114-106050	RESTRICTED TO
WEIGHT		SIZE A2	CAGE CODE 00779
Customer Drawing		SCALE 3:1	DRAWING NO C-1971567
		SHEET 1	OF 2
		REV E	

THIS DRAWING IS UNPUBLISHED. RELEASED FOR PUBLICATION 20
 © COPYRIGHT 20 BY - ALL RIGHTS RESERVED.

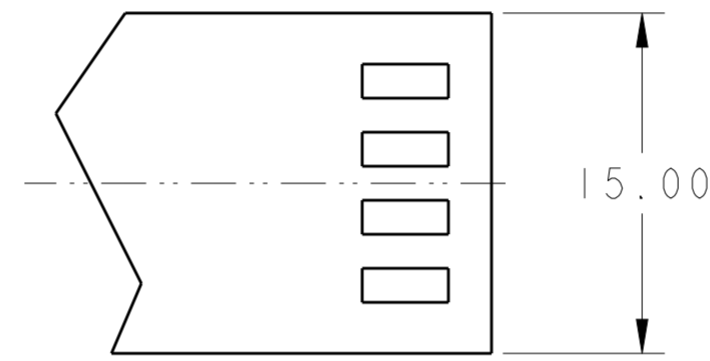
LOC		DIST		REVISIONS			
P	LTR	DESCRIPTION	DATE	DWN	APVD		
-	-	SEE SHEET 1	-	-	-		



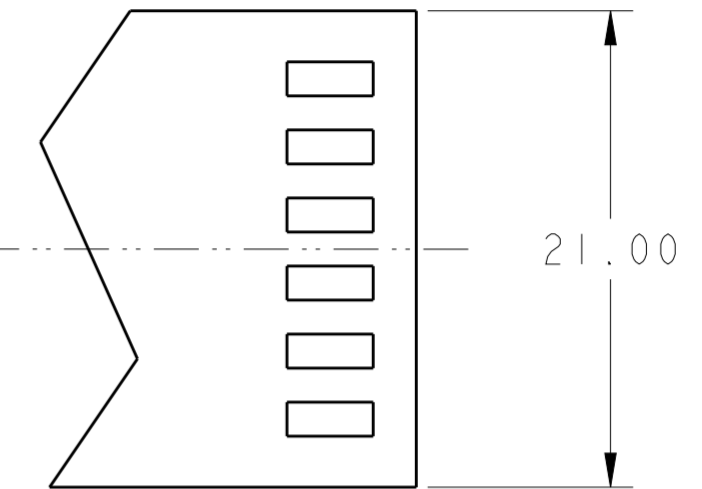
(TYPE 1: HORIZONTALLY MATED ONLY)

(TYPE 2: CAN BE BOTH VERTICALLY AND HORIZONTALLY MATED)

RECOMMENDED PCB LAYOUT FOR 1971567-1 (±0.10mm) SCALE 3:1

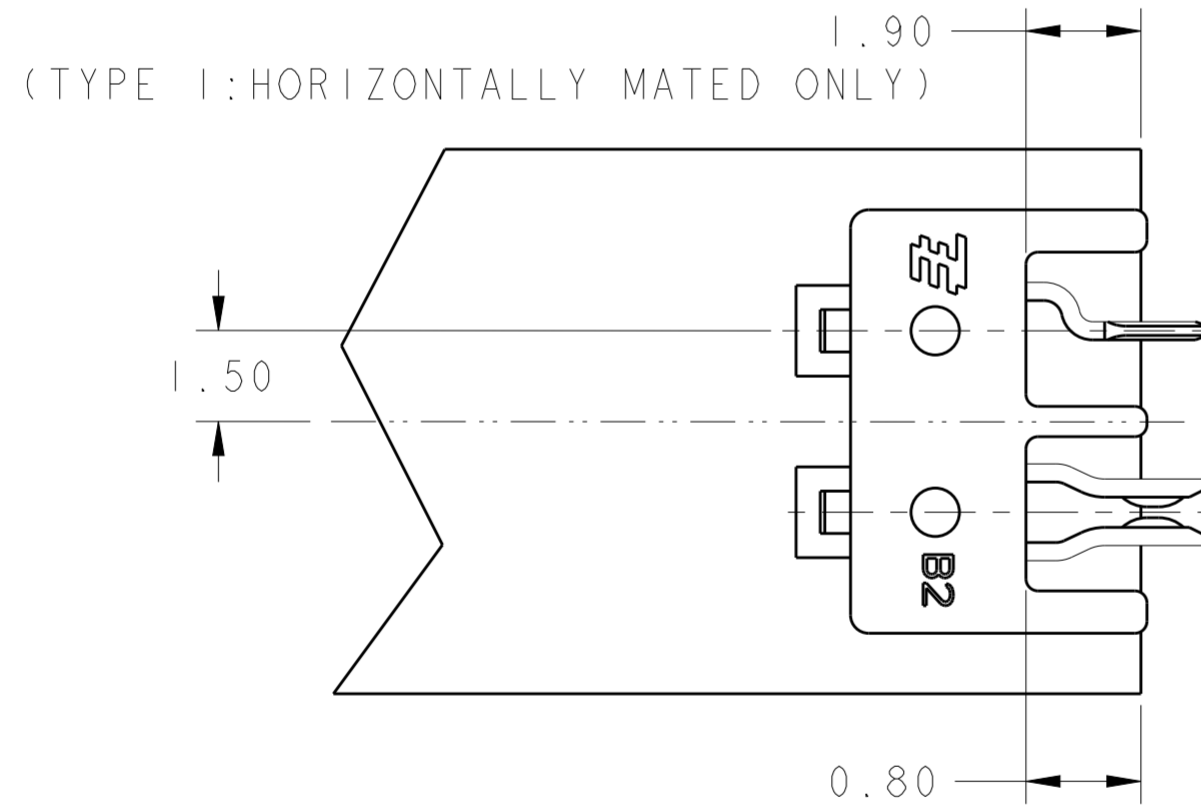


RECOMMENDED PCB LAYOUT FOR 1971567-2 (±0.10mm) SCALE 3:1



RECOMMENDED PCB LAYOUT FOR 1971567-3 (±0.10mm) SCALE 3:1

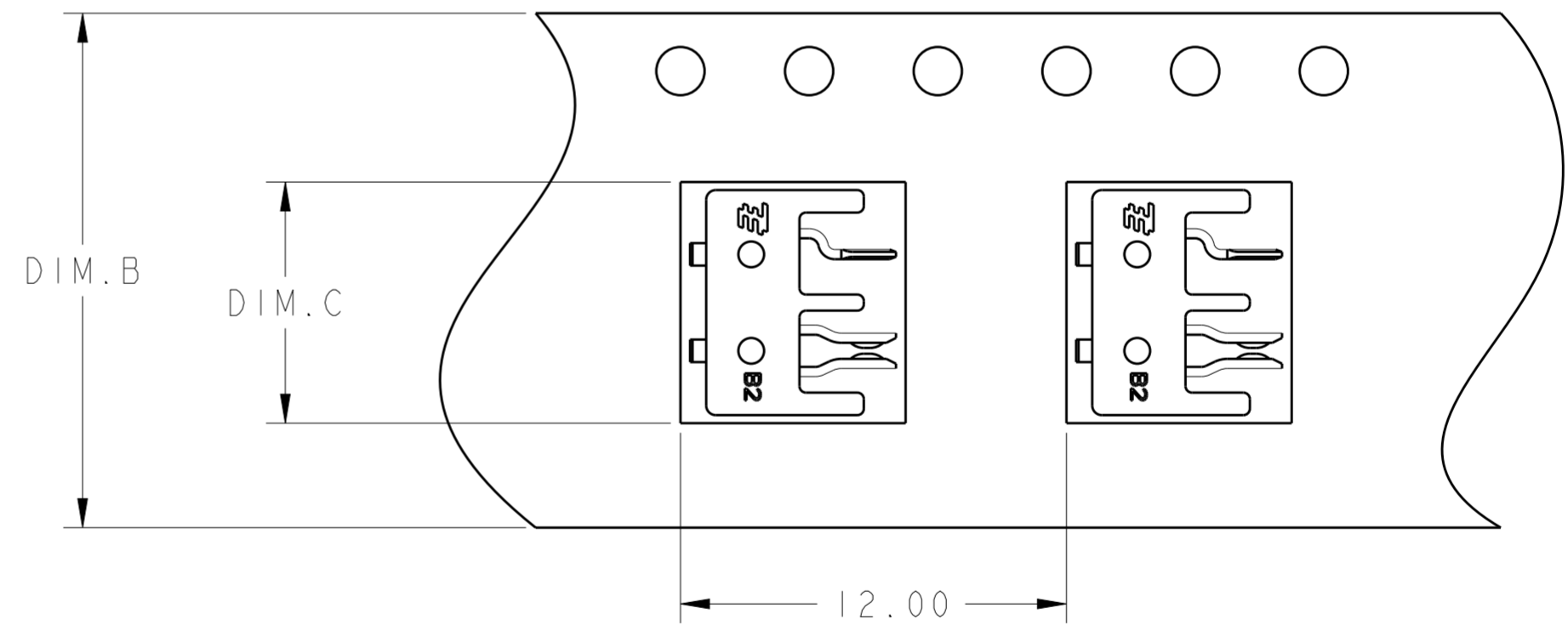
ALL FEATURES AND DIMENSIONS OF PCB LAYOUT FOR 1971567-2, 1971567-3 ARE THE SAME AS PCB LAYOUT FOR 1971567-1 EXCEPT AS SHOWN



(TYPE 1: HORIZONTALLY MATED ONLY)

(TYPE 2: CAN BE BOTH VERTICALLY AND HORIZONTALLY MATED)

SOLDERING LAYOUT (±0.10mm) SCALE 8:1



TO BE PACKAGED AS SHOWN (±0.10mm) SCALE 5:1

6P	19.30	32.00	1971567-3
4P	13.30	24.00	1971567-2
2P	7.30	16.00	1971567-1
POSITION	DIM.C	DIM.B	FOR P/N

THIS DRAWING IS A CONTROLLED DOCUMENT.		DWN KEVIN JIANG 23MAY2011	TE Connectivity	
DIMENSIONS: mm		CHK TRACY TAO 23MAY2011		
TOLERANCES UNLESS OTHERWISE SPECIFIED:		APVD XIANG XU 23MAY2011	NAME	
0 PLC ±		PRODUCT SPEC	MINIATURE HERMAPHRODITIC BOARD TO BOARD CONNECTOR	
1 PLC ±0.5		108-106050	RESTRICTED TO	
2 PLC ±0.13		APPLICATION SPEC	SIZE CAGE CODE DRAWING NO	
3 PLC ±0.013		114-106050	A200779 C-1971567	
4 PLC ±0.0001		WEIGHT	SCALE 3:1 SHEET 2 OF 2 REV E	
ANGLES ±		Customer Drawing		
FINISH				

X-ON Electronics

Largest Supplier of Electrical and Electronic Components

Click to view similar products for [Lighting Connectors](#) category:

Click to view products by [TE Connectivity](#) manufacturer:

Other Similar products are found below :

[293300-7](#) [293660-5](#) [CNX_H03_NTP](#) [30-9767-BU](#) [3605](#) [3-21030-1](#) [ZCH-110-RGB-I](#) [503471-0290](#) [ZCH-110-RGB-J](#) [217-0716-200](#)
[1954563-1](#) [1-293657-2](#) [2834036-1](#) [2834037-1](#) [1-2213222-4](#) [2-2213222-4](#) [2213222-4](#) [2834122-3](#) [2834122-5](#) [2834135-2](#) [FLA-R4142-30](#)
[FLA-R4162-30](#) [FLA-R2142-30](#) [FLA-R2141-30](#) [FLA-R2162-30](#) [FLA-R2161-30](#) [FLA-R0161-30](#) [FLA-R0141-30](#) [FLA-R0162-30](#) [FLA-C00-](#)
[00](#) [DGA00010553](#) [CNXV04NTP](#) [104128-0610](#) [503485-0000 \(Cut Strip\)](#) [503485-0000 \(Loose Piece\)](#) [503485-0000 \(MINI Reel\)](#) [1-2834074-2](#)
[1-2834074-3](#) [1357-AC PLUG W2C \(CHINA\)](#) [1357-AC PLUG W2 \(USA\)](#) [104266-0110](#) [2106212-1](#) [2-2834074-2](#) [104266-0210](#) [293470-1](#)
[293651-2](#) [293651-4](#) [1-2834006-2](#) [293651-1](#) [2213142-3](#)