

THIS DRAWING IS UNPUBLISHED.

RELEASED FOR PUBLICATION

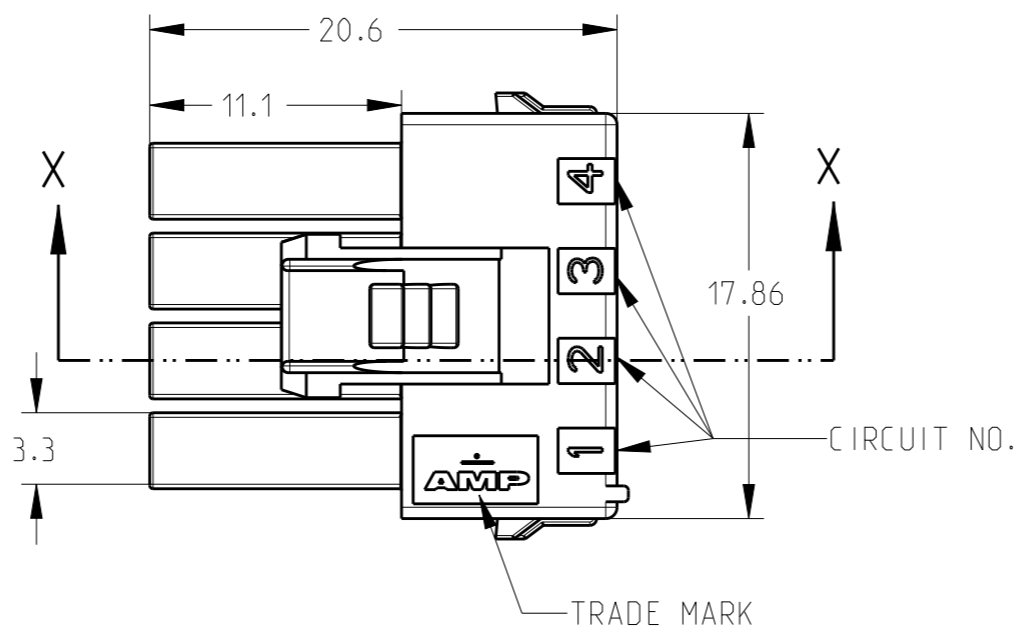
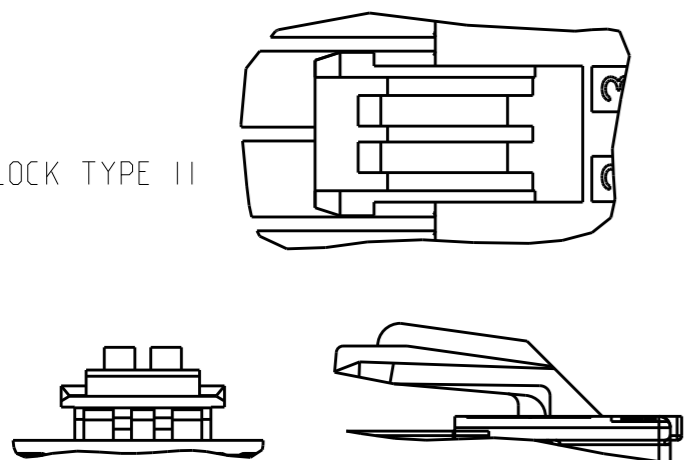
20

© COPYRIGHT 20 BY - ALL RIGHTS RESERVED.

REVISIONS

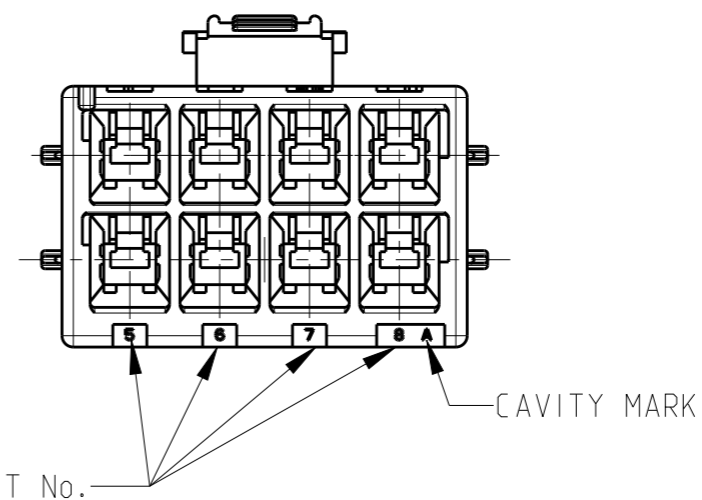
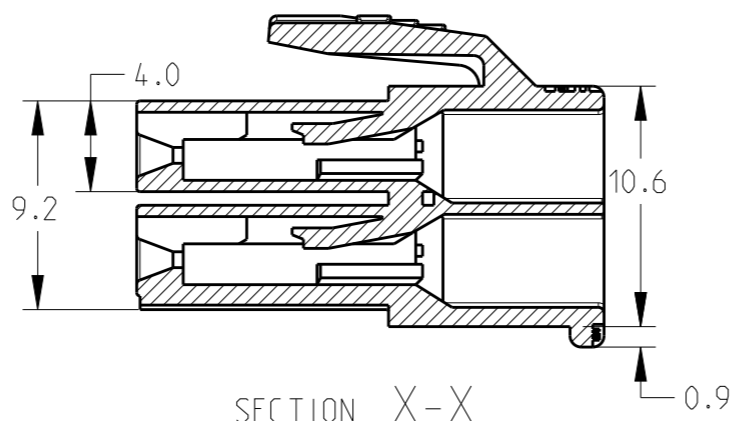
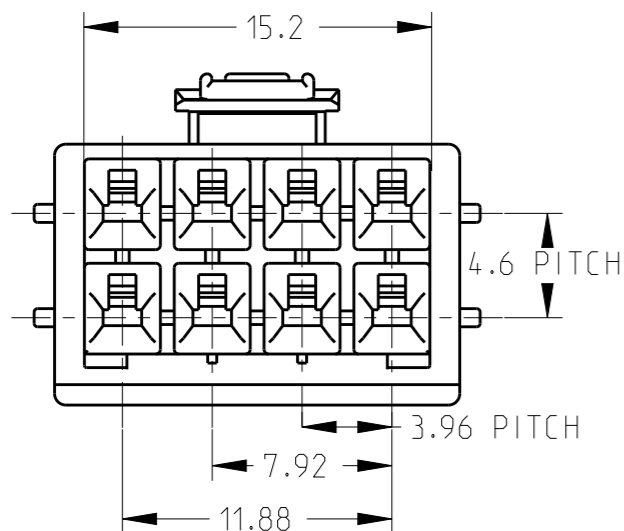
P	LTR	DESCRIPTION	DATE	DWN	APVD
A1		REVISED PER ECR-17-000605	15FEB2017	N.L	D.Z
B		REVISED PER ECR-19-009721	01JUL2019	M.G	D.Z

LOCK TYPE II



NOTES:

- THIS HOUSING ACCEPTS RECEPTACLE TERMINAL:
REC CONTACT:177915-[](#20-#16AW G)
177914-[](#26-#22AW G)
- MATING CONN. P/N
CAP HSG:1971600-[](FREE HANGING)
TAB CONTACT:177917-[](#20-#16AW G)
177916-[](#26-#22AW G)
- APPLICABLE PLATE P/N:177920-[]
- INSTRUCTION SHEET:411-5638
- MATERIAL: PA66 UL94V-0
- COMPLY WITH GLOW WIRE REQUIREMENT FOR PARTS OF NO-METALLIC MATERIAL SUPPORTING A CURRENT-CARRYING CONNECTOR DETAILED IN IEC60335-1, SECTION 30(GWT)



8	NATURAL	1971598-1
POS	HOUSING COLOR	P/N

THIS DRAWING IS A CONTROLLED DOCUMENT.		DWN SAI, CHEN 25SEP2009	STE TE Connectivity			
DIMENSIONS: mm		CHK HAPYE WU 25AUG2009				
TOLERANCES UNLESS OTHERWISE SPECIFIED:		APVD JULIAN ZHOU 25SEP2009	NAME POWER DBL LOCK CONN 3.96mm PITCH 8 POS PLUG HOUSING, DBL ROW (GWT)			
0 PLC ±0.5		PRODUCT SPEC 108-5410	SIZE A3	CAGE CODE -	DRAWING NO. ©=1971598	RESTRICTED TO -
1 PLC ±0.3		APPLICATION SPEC 114-5175	SCALE 3:1		SHEET 1 OF 1	REV B
2 PLC ±		WEIGHT -	CUSTOMER DRAWING			
3 PLC ±						
4 PLC ±						
ANGLES ±						
FINISH -						
MATERIAL 6						

X-ON Electronics

Largest Supplier of Electrical and Electronic Components

Click to view similar products for [Lighting Connectors](#) category:

Click to view products by [TE Connectivity](#) manufacturer:

Other Similar products are found below :

[293300-7](#) [293660-5](#) [CNX_H03_NTP](#) [30-9767-BU](#) [3605](#) [3-21030-1](#) [ZCH-110-RGB-I](#) [503471-0290](#) [ZCH-110-RGB-J](#) [217-0716-200](#)
[1954563-1](#) [1-293657-2](#) [2834036-1](#) [2834037-1](#) [1-2213222-4](#) [2-2213222-4](#) [2213222-4](#) [2834122-3](#) [2834122-5](#) [2834135-2](#) [FLA-R4142-30](#)
[FLA-R4162-30](#) [FLA-R2142-30](#) [FLA-R2141-30](#) [FLA-R2162-30](#) [FLA-R2161-30](#) [FLA-R0161-30](#) [FLA-R0141-30](#) [FLA-R0142-30](#) [FLA-](#)
[R0162-30](#) [FLA-C00-00](#) [DGA00010553](#) [CNXV04NTP](#) [104128-0610](#) [503485-0000 \(Cut Strip\)](#) [503485-0000 \(Loose Piece\)](#) [503485-0000](#)
[\(MINI Reel\)](#) [1-2834074-2](#) [1-2834074-3](#) [1357-AC PLUG W2C \(CHINA\)](#) [1357-AC PLUG W2 \(USA\)](#) [104266-0110](#) [2106212-1](#) [2-2834074-2](#)
[104266-0210](#) [293470-1](#) [293651-2](#) [293651-4](#) [1-2834006-2](#) [293651-1](#)