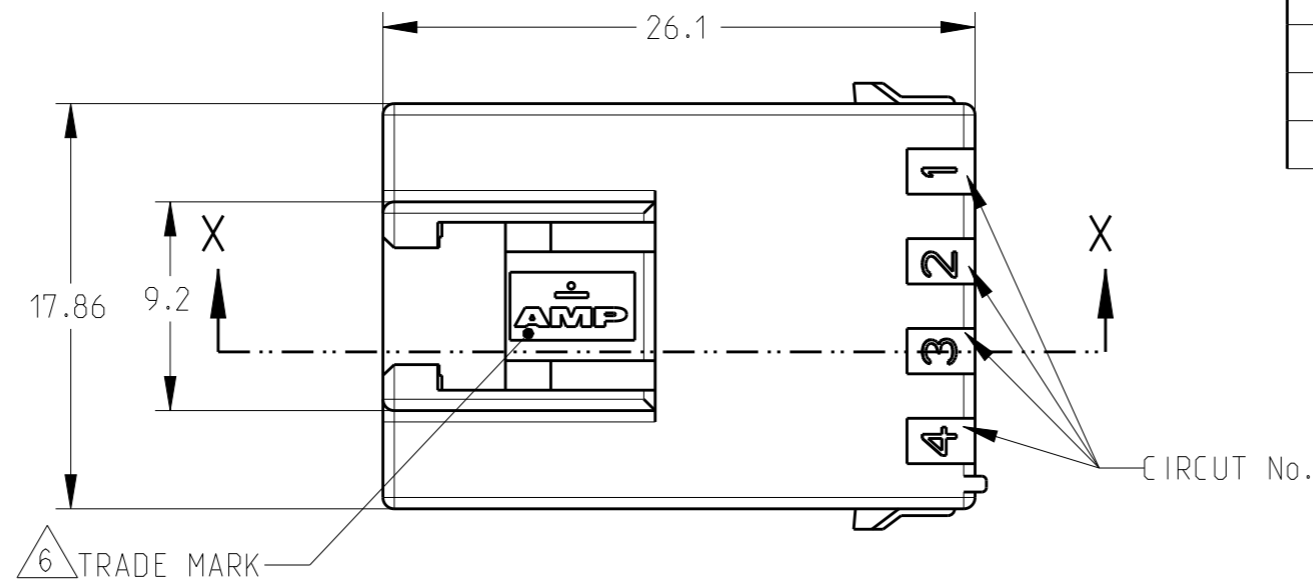
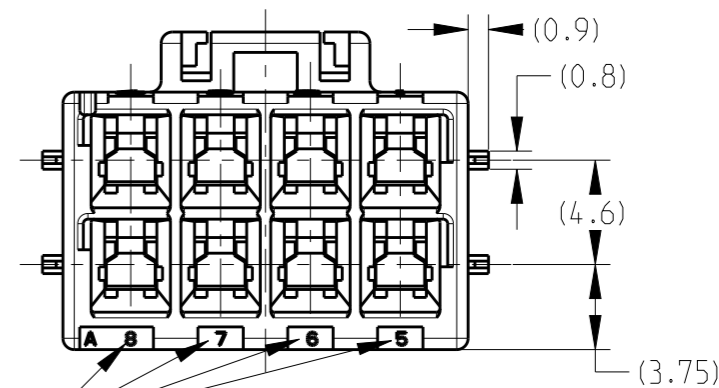
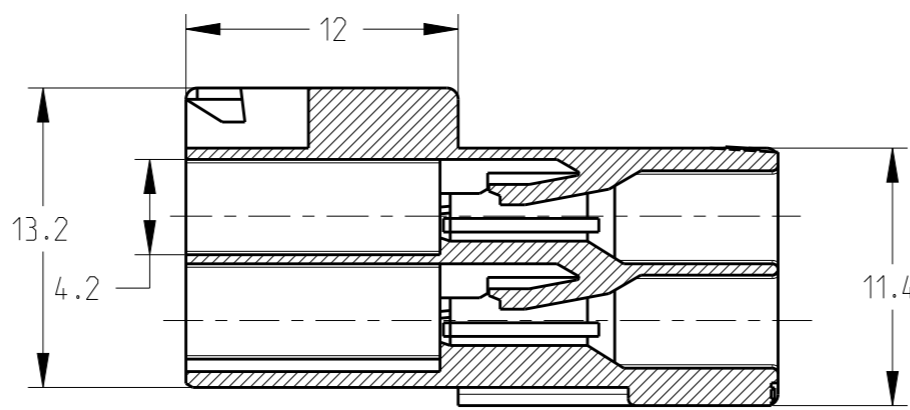
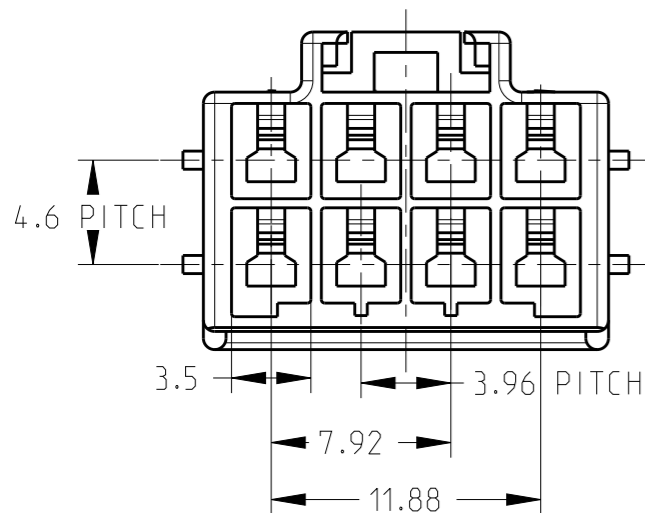


THIS DRAWING IS UNPUBLISHED. RELEASED FOR PUBLICATION 20  
 © COPYRIGHT 20 BY - ALL RIGHTS RESERVED.


REVISIONS					
P	LTR	DESCRIPTION	DATE	DWN	APVD
A1		REVISED PER ECR-17-000605	15FEB2017	N.L	D.Z
B		REVISED PER ECR-19-009721	01JUL2019	M.G	D.Z



- NOTES:
- THIS HOUSING ACCEPTS TAB TERMINAL:  
 TAB CONTACT: 177917- ( #20-#16AWG)  
 177916- ( #26-#22AWG)
  - MATING CONN. P/N  
 PLUG HSG: 1971598-  
 REC CONTACT: 177915- ( #20-#16AWG)  
 177914- ( #26-#22AWG)
  - APPLICABLE PLATE P/N: 177920-
  - INSTRUCTION SHEET: 411-5638
  - MATERIAL: PA66 UL94V-0  
 PART 1971600-1 COMPLY WITH GLOW WIRE REQUIREMENT FOR PARTS OF NO-METALLIC MATERIAL SUPPORTING A CURRENT-CARRYING CONNECTOR DETAILED IN IEC60335-1, SECTION 30(GWT)



8	NATURAL	1971600-1
POS	COLOR	P/N

THIS DRAWING IS A CONTROLLED DOCUMENT.		DWN ALEX ZHANG 25SEP2009	 TE Connectivity		
DIMENSIONS: mm		CHK HAPYE WU 25SEP2009			
TOLERANCES UNLESS OTHERWISE SPECIFIED:		APVD JULIAN ZHOU 25SEP2009	NAME PDL CONN, 3.96mm PITCH (DBL ROW) 8 POS CAP HOUSING, FREE HANGING (GWT)		
0 PLC ±0.5		PRODUCT SPEC 108-5410	SIZE A3	CAGE CODE 00779	DRAWING NO C-1971600
1 PLC ±0.3		APPLICATION SPEC 114-5175	RESTRICTED TO		
2 PLC ±		WEIGHT -	SCALE 3:1		
3 PLC ±		MATERIAL 5	SHEET 1 OF 1		
4 PLC ±			REV B		
ANGLES ±		CUSTOMER DRAWING			

## X-ON Electronics

Largest Supplier of Electrical and Electronic Components

*Click to view similar products for [Heavy Duty Power Connectors](#) category:*

*Click to view products by [TE Connectivity](#) manufacturer:*

Other Similar products are found below :

[647757-1](#) [6643411-1](#) [6646058-2](#) [6646137-1](#) [6646138-1](#) [6646479-1](#) [6646608-1](#) [6646786-1](#) [6646940-1](#) [6651091-1](#) [6651525-1](#) [6651529-1](#)  
[6651788-1](#) [696475-1](#) [702-32-01109](#) [703-25-02205](#) [73000005059](#) [73000005642](#) [73080255059](#) [73080965046](#) [765-15-0080A](#) [765-16-0080B](#)  
[765-18-0080D](#) [829992-1](#) [902-77-02113](#) [PS00/A0620/6300](#) [PS25/A0420/63](#) [129-1J](#) [1409400](#) [AN0024023](#) [E6374G1](#) [e6389g2](#) [157-43GW8](#)  
[MS3117-14AC](#) [1643543-1](#) [1650540-1](#) [1651811-2](#) [1766260-1](#) [1766282-1](#) [1766966-1](#) [1791340000](#) [NLDFT-3-BL-L-S120-M40A](#) [NLDFT-N-](#)  
[W-L-C240-M40B](#) [NLS-2-R-C240-M40B](#) [NLS-N-W-C240-M40B](#) [NPS-3-BL-T6](#) [1986615-1](#) [2-1589900-8](#) [2199314-1](#) [KA8102](#)