

4

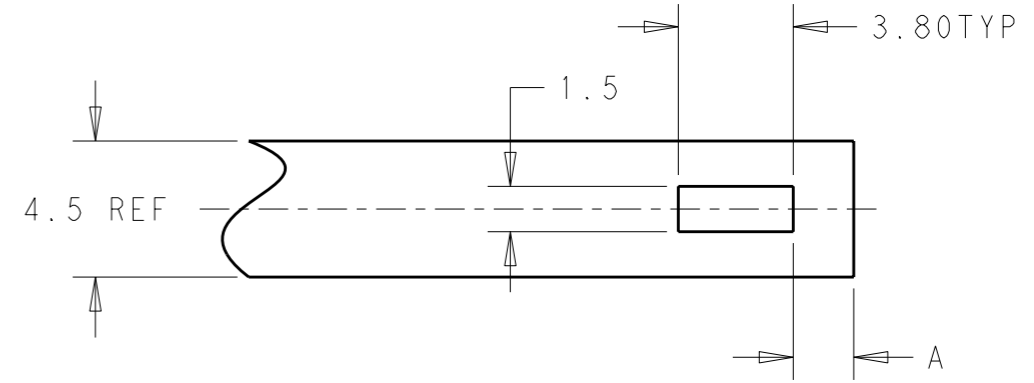
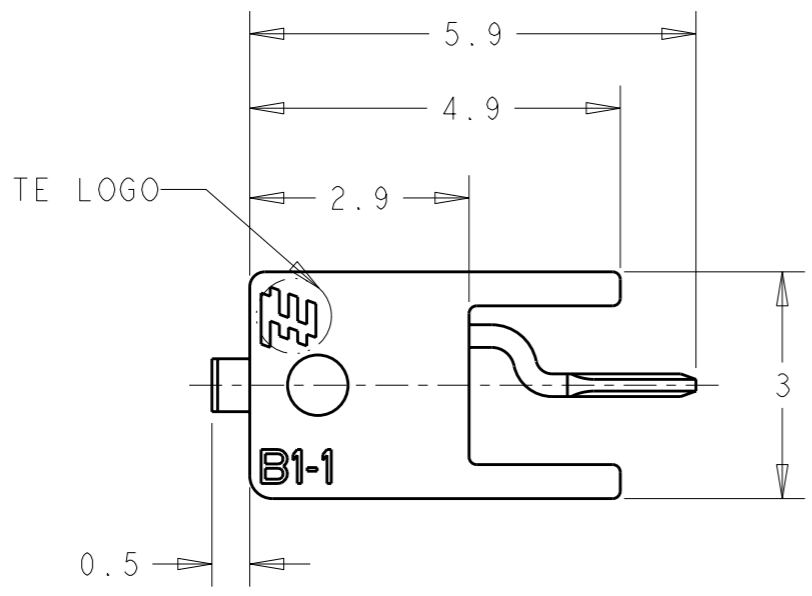
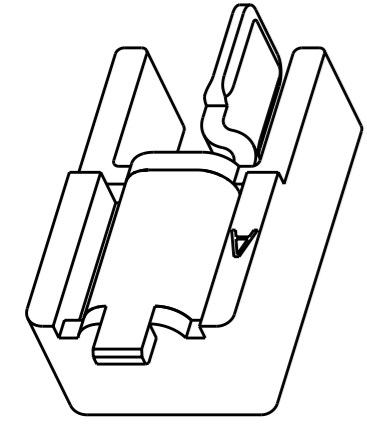
3

2

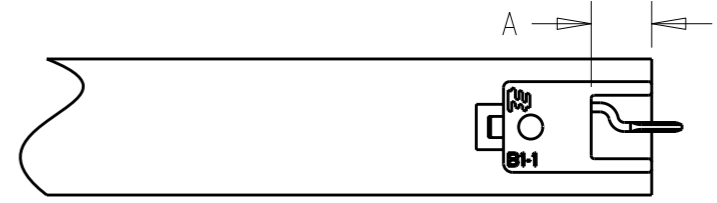
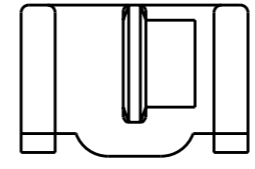
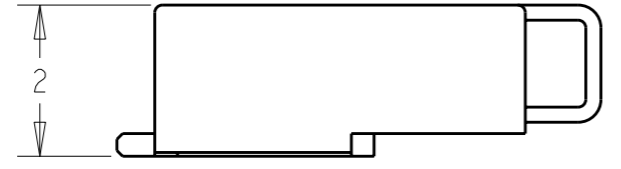
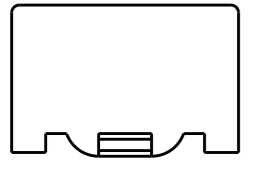
1

THIS DRAWING IS UNPUBLISHED. RELEASED FOR PUBLICATION 20  
 © COPYRIGHT 20 BY TYCO ELECTRONICS CORPORATION. ALL INTERNATIONAL RIGHTS RESERVED.

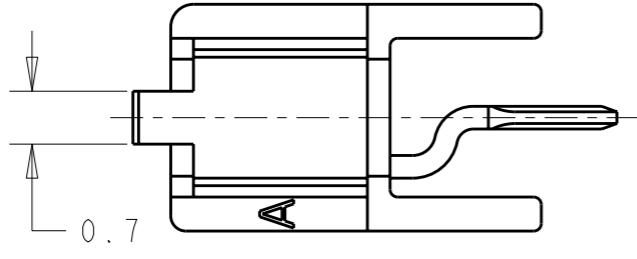
LOC	DIST	REVISIONS			
P	LTR	DESCRIPTION	DATE	DWN	APVD
ES	0	A	RELEASE DRAWING	19APR2011	G.C X.X



(TYPE A=2.00 HORIZONTALLY MATED ONLY)  
 (TYPE A=0.80 CAN BE BOTH VERTICALLY AND HORIZONTALLY MATED)  
 RECOMMENDED PCB LAYOUT FOR FBG10052-001-1  
 SCALE 4:1



(TYPE A=2.00 HORIZONTALLY MATED ONLY)  
 (TYPE A=0.80 CAN BE BOTH VERTICALLY AND HORIZONTALLY MATED)  
 RECOMMENDED PCB LAYOUT FOR FBG10052-001-1  
 SCALE 4:1



NOTES:  
 1. PACKAGED IN TAPE AND REEL PER IEA-481 SPECIFICATIONS.  
 2. MATERIAL AND FINISH:  
 -HOUSING: THERMAL PLASTIC  
 -PIN CONTACT: BRASS  
 -FINISH: TIN OVER NICKEL.

<small>THIS DRAWING IS A CONTROLLED DOCUMENT FOR TYCO ELECTRONICS CORPORATION          IT IS SUBJECT TO CHANGE AND THE CONTROLLING ENGINEERING ORGANIZATION          SHOULD BE CONTACTED FOR THE LATEST REVISION.</small>		DWN 11JAN2011 GU CINDY CHK 11JAN2011 TAO TRACY APVD 11JAN2011 XU XIANG		Tyco Electronics Corporation Harrisburg, PA 17105-3608	
DIMENSIONS: mm		TOLERANCES UNLESS OTHERWISE SPECIFIED: 0 PLC ±- 1 PLC ±0.2 2 PLC ±0.13 3 PLC ±0.013 4 PLC ±0.0001 ANGLES ±1		NAME 1P MALE CONNECTOR FOR B-B	
		PRODUCT SPEC 108-106050		SIZE CAGE CODE DRAWING NO RESTRICTED TO A3 00779 C-1971742 -	
MATERIAL -		FINISH -		APPLICATION SPEC 114-106074	
		WEIGHT -		CUSTOMER DRAWING SCALE 3:1 SHEET 1 OF 1 REV A	

## X-ON Electronics

Largest Supplier of Electrical and Electronic Components

*Click to view similar products for [Lighting Connectors](#) category:*

*Click to view products by [TE Connectivity](#) manufacturer:*

Other Similar products are found below :

[293300-7](#) [293660-5](#) [CNX\\_H03\\_NTP](#) [30-9767-BU](#) [3605](#) [3-21030-1](#) [ZCH-110-RGB-I](#) [503471-0290](#) [ZCH-110-RGB-J](#) [217-0716-200](#)  
[1954563-1](#) [1-293657-2](#) [2834036-1](#) [2834037-1](#) [1-2213222-4](#) [2-2213222-4](#) [2213222-4](#) [2834122-3](#) [2834122-5](#) [2834135-2](#) [FLA-R4142-30](#)  
[FLA-R4162-30](#) [FLA-R2142-30](#) [FLA-R2141-30](#) [FLA-R2162-30](#) [FLA-R2161-30](#) [FLA-R0161-30](#) [FLA-R0141-30](#) [FLA-R0142-30](#) [FLA-](#)  
[R0162-30](#) [FLA-C00-00](#) [DGA00010553](#) [CNXV04NTP](#) [104128-0610](#) [503485-0000 \(Cut Strip\)](#) [503485-0000 \(Loose Piece\)](#) [503485-0000](#)  
[\(MINI Reel\)](#) [1-2834074-2](#) [1-2834074-3](#) [1357-AC PLUG W2C \(CHINA\)](#) [1357-AC PLUG W2 \(USA\)](#) [104266-0110](#) [CNXV02NTP](#) [2106212-1](#)  
[2-2834074-2](#) [104266-0210](#) [293470-1](#) [293651-2](#) [293651-4](#) [1-2834006-2](#)